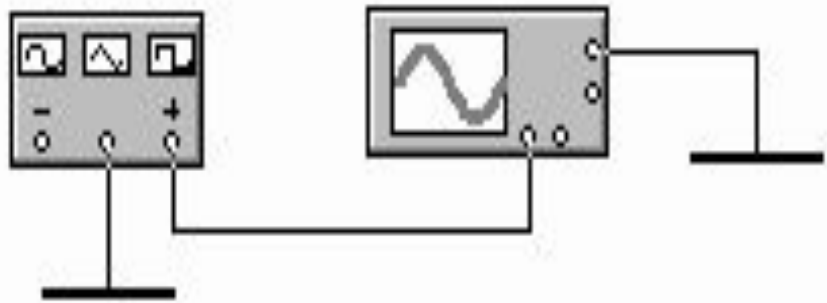


Дополнительные приборы программы EWB 5



Instruments [X]

Panel of instrument icons: a blank screen, a waveform, a sine wave, a ramp, a digital signal, a square wave, and a light bulb.

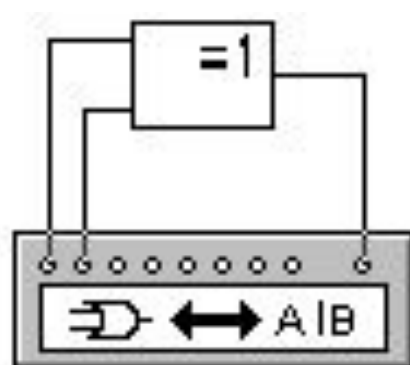


Function Generator [X]

Waveform selection icons: sine wave, triangle wave, square wave.

Frequency	1	Hz
Duty cycle	50	%
Amplitude	10	V
Offset	0	

Terminal selection: - Common +



Logic Converter [X]

A B C D E F G H

000	0	0								0
001	0	1								1
002	1	0								1
003	1	1								0

Conversions

- XOR → $\overline{10|1}$
- $\overline{10|1}$ → A|B
- $\overline{10|1}$ $\xrightarrow{\text{SIMP}}$ A|B
- A|B → $\overline{10|1}$
- A|B → XOR
- A|B → NAND

A' B + AB'

Word Generator

Address

0000
0001
0002
0003
0004
0005
0006
0007
0008
0009
000A
000B
000C
000D
000E
000F
0000
0000
0000
0000

Edit Cycle

Current Burst

Initial Step

Final Breakpoint

Pattern...

Trigger

Internal External

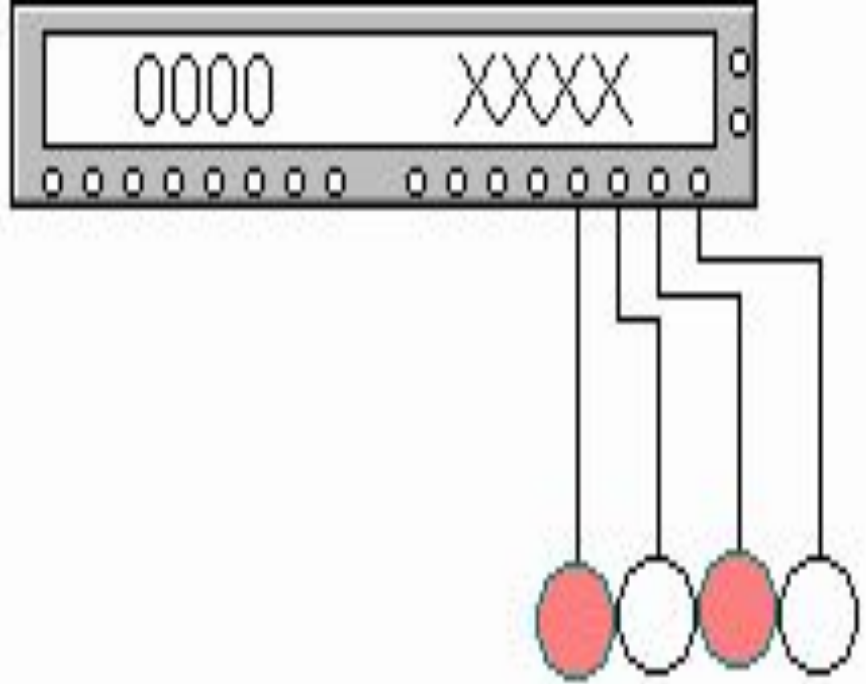
Frequency

Data ready

ASCII

Binary

0 0 0 0 0 0 0 0 0 0 0 0 0 1 0 1 0

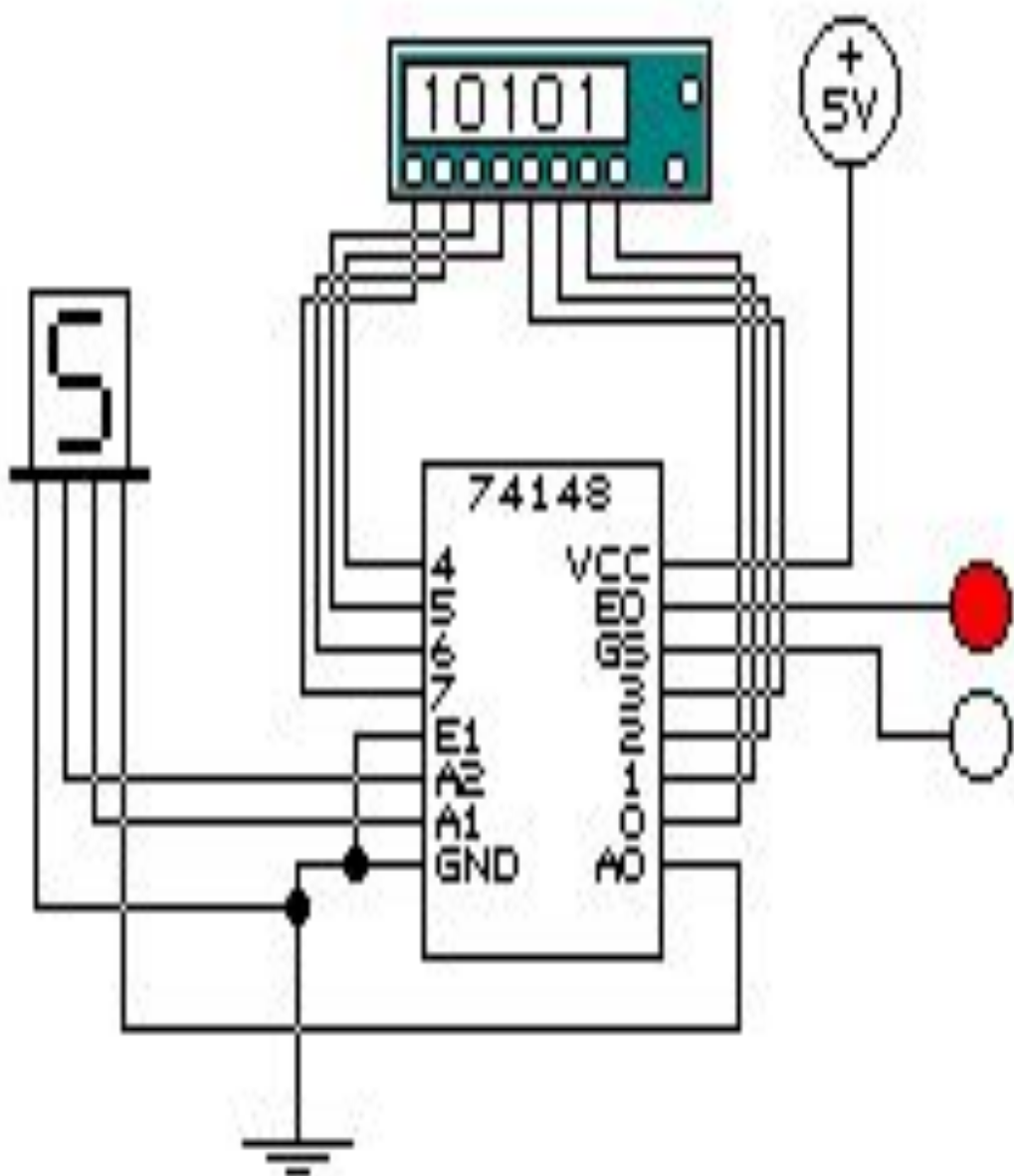


74148 (8- to 3-line Priority Encoder)

8-Line to 3-Line Priority Encoder truth table:

Inputs		Outputs				
EI	0 1 2 3 4 5 6 7	A2	A1	A0	GS	EO
1	X X X X X X X X	1	1	1	1	1
0	1 1 1 1 1 1 1 1	1	1	1	1	0
0	X X X X X X X 0	0	0	0	0	1
0	X X X X X X 0 1	0	0	1	0	1
0	X X X X X 0 1 1	0	1	0	0	1
0	X X X X 0 1 1 1	0	1	1	0	1
0	X X X 0 1 1 1 1	1	0	0	0	1
0	X X 0 1 1 1 1 1	1	0	1	0	1
0	X 0 1 1 1 1 1 1	1	1	0	0	1
0	0 1 1 1 1 1 1 1	1	1	1	0	1

Шифратор 8x3 (EWB-4)



Word Generator

0	00000000
1	00000000
2	10000000
3	11000000
4	11100000
5	11110000
6	11111000
7	11111100
8	11111110
9	11111111
10	00000000
11	00000000
12	00000000
13	00000000
14	00000000
15	00000000

CLEAR LOAD SAVE
STEP BURST CYCLE
FREQUENCY: 1 kHz
TRIGGER: [Square Wave] [Pulse] [None]
INTERNAL EXTERNAL
HEX: f8

