

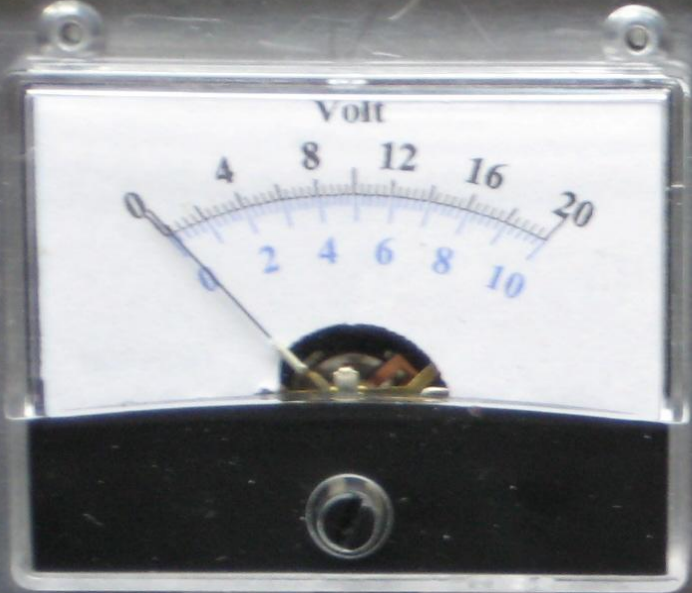
# **ALIMENTATION D'ATELIER**

**VOLTAGE VARIABLE  $0 < 20V$**

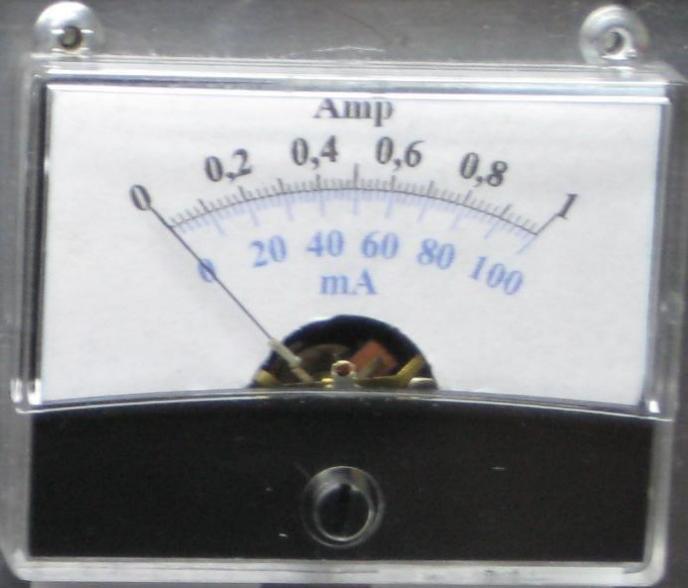
**LIMITE DE COURANT VARIABLE  $0 < 1A$**

VE2EMM

ALIMENTATION VARIABLE



M  
A



10V 20V

100mA 1000mA



BACK LIGHT

OFF

APPA 205  
TRUE RMS MULTIMETER

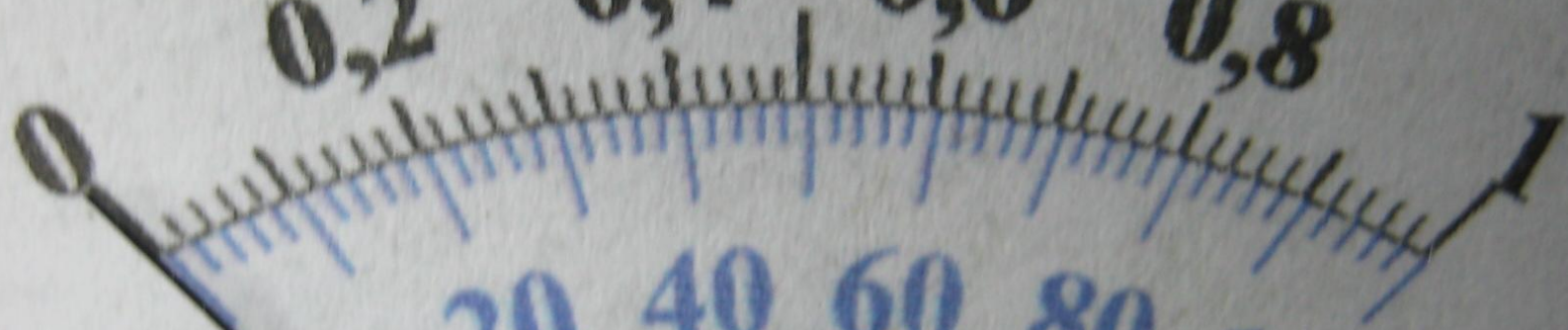
Volt



10V / 20V

Amp

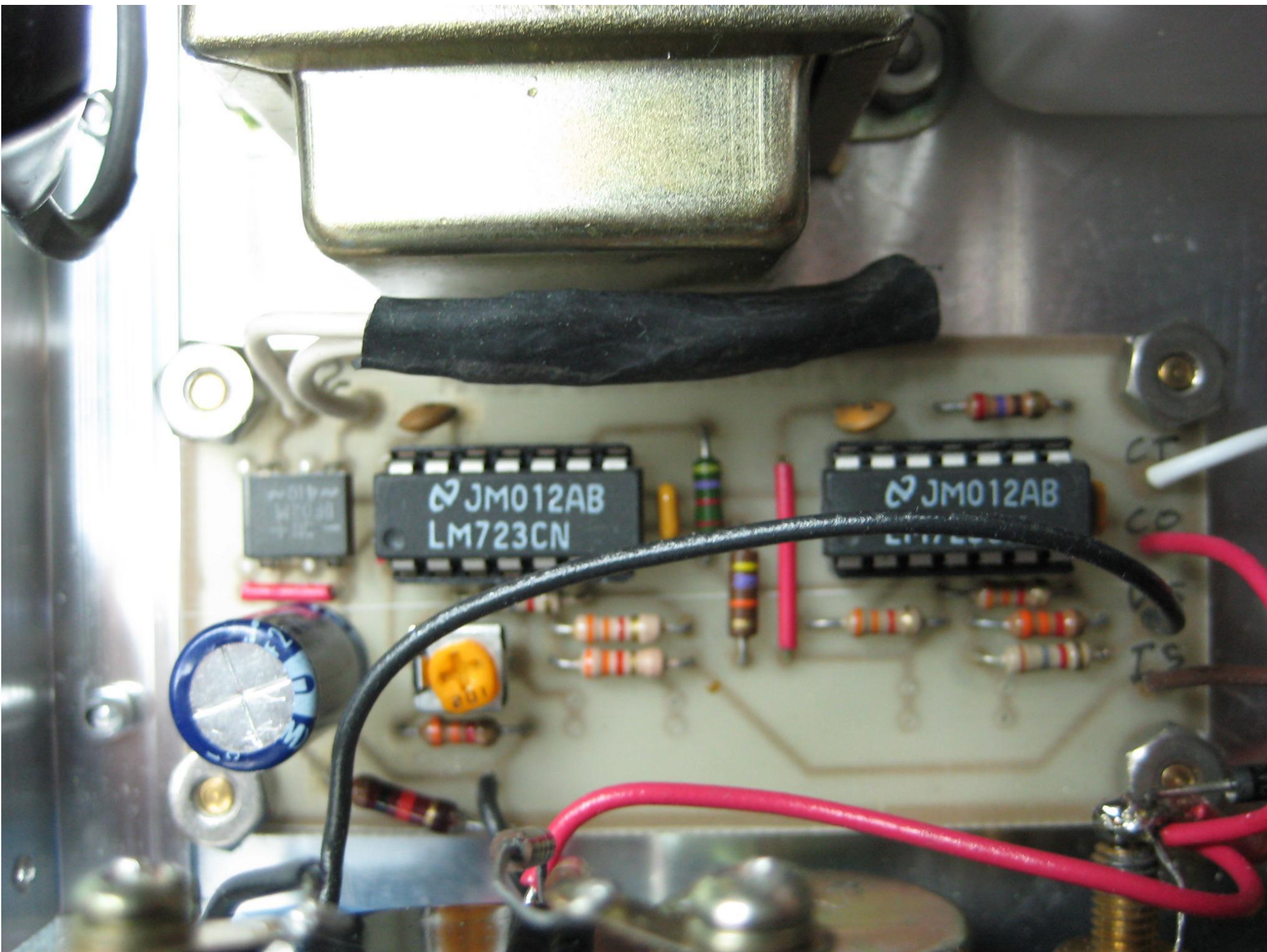
0,2 0,4 0,6 0,8



0 20 40 60 80 100  
mA







JM012AB  
LM723CN

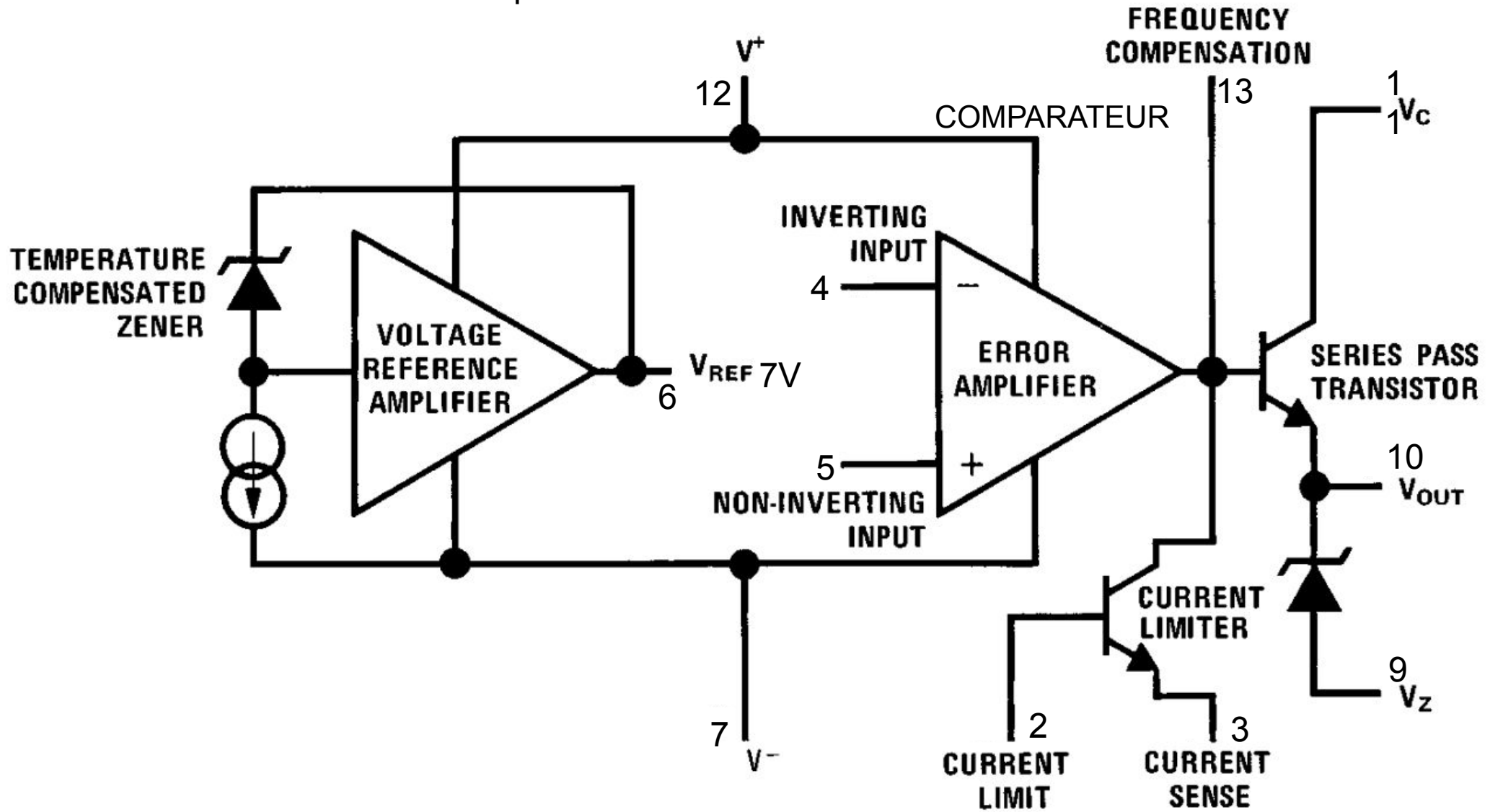
JM012AB  
LM723CN



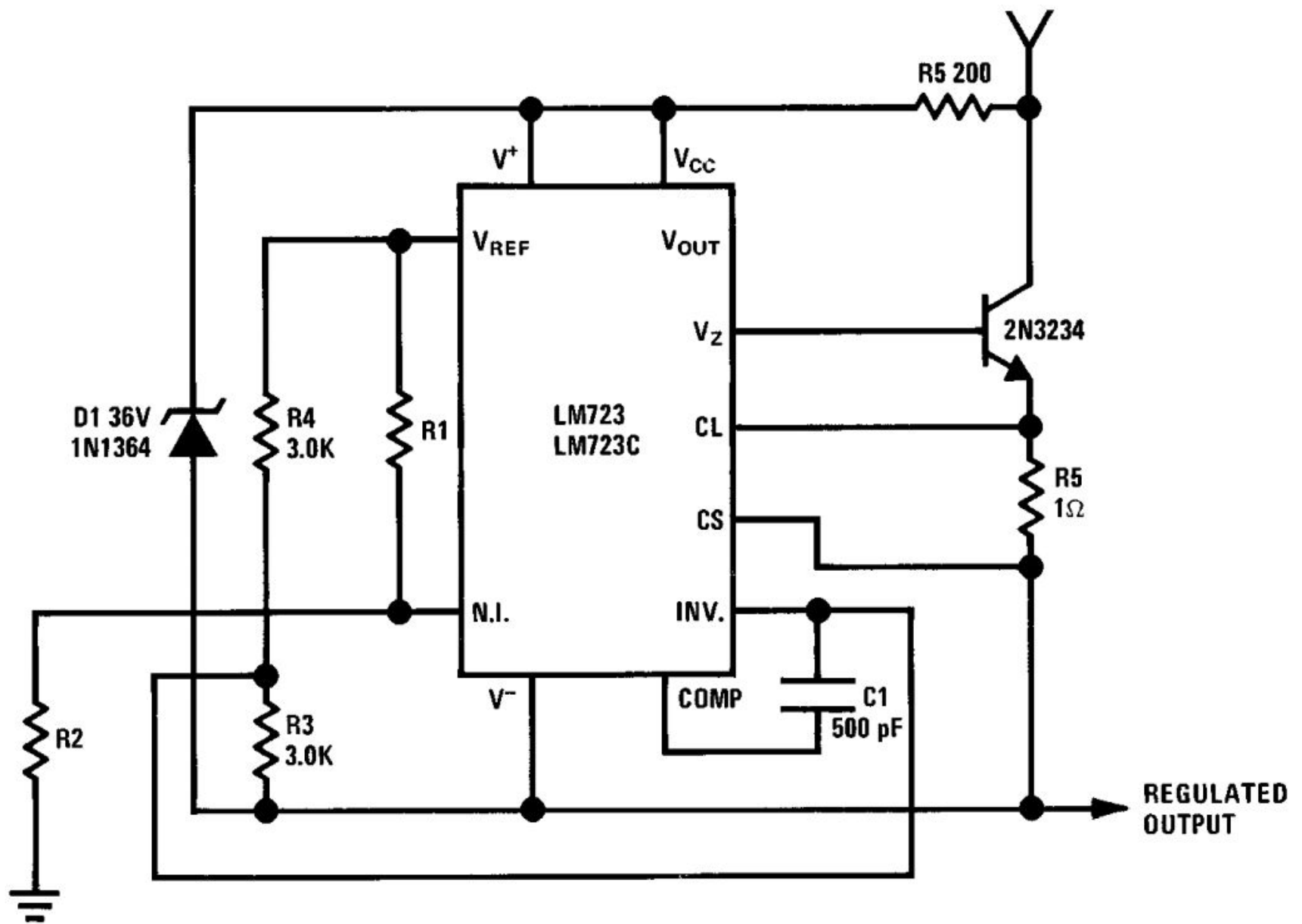
CT  
CO  
V<sub>REF</sub>  
I<sub>S</sub>



LM723 régulateur de précision







#### Typical Performance

Regulated Output Voltage	+ 50V
Line Regulation ( $\Delta V_{IN} = 20V$ )	15 mV
Load Regulation ( $\Delta I_L = 50 \text{ mA}$ )	20 mV

**FIGURE 7. Positive Floating Regulator**

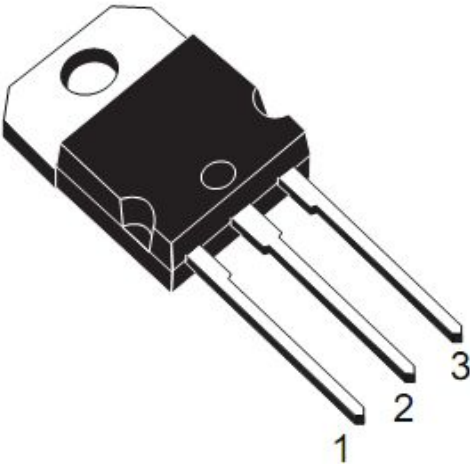
# TIP142

100V

10A

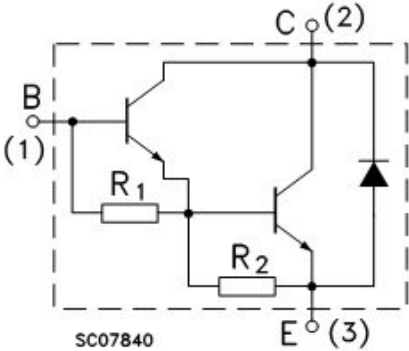
125W

HFE 1000



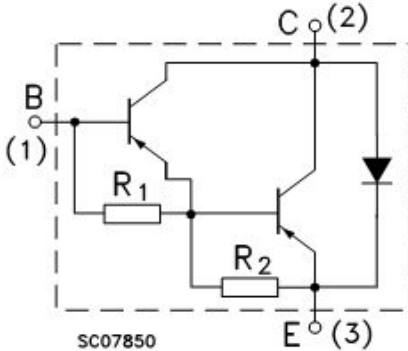
TO-218

## INTERNAL SCHEMATIC DIAGRAM



SC07840

R1 Typ. = 5 KΩ



SC07850

R2 Typ. = 150 Ω

