

FIG 601

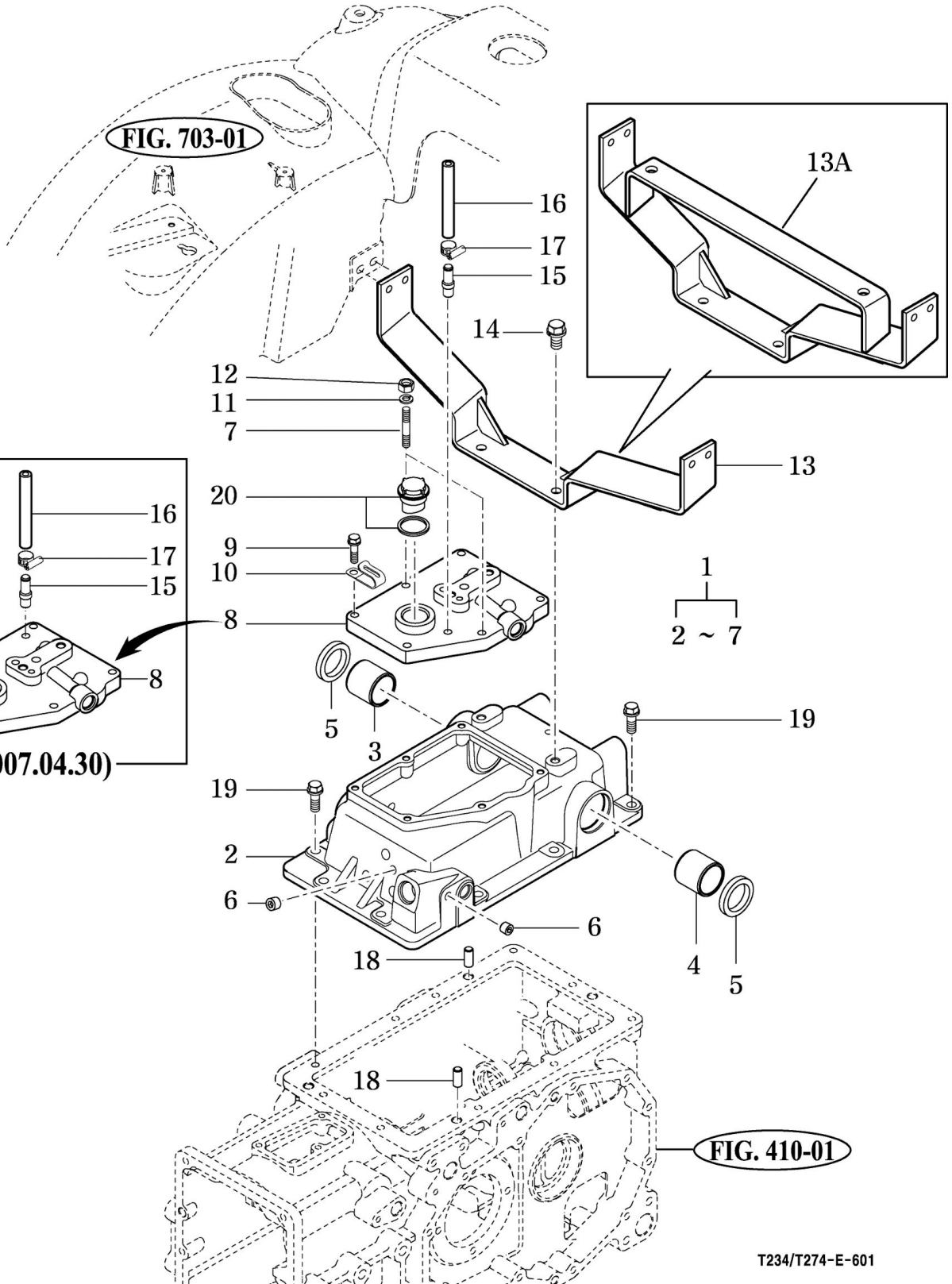
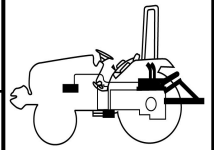
CYLINDER CASE

T233 / T273

P1

Year / Month

2009 / 12



T234/T274-E-601

NOTE

FIG 602

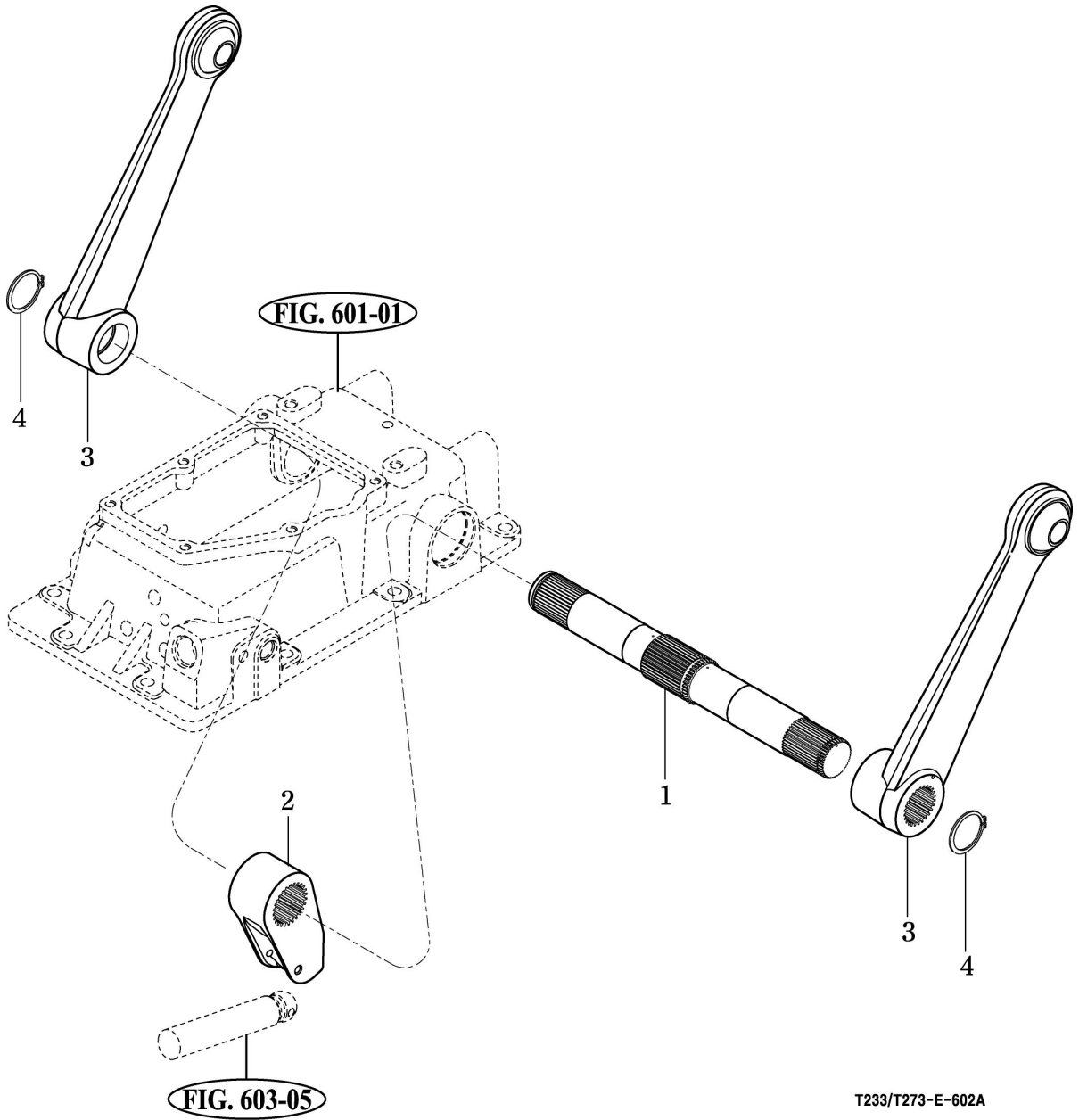
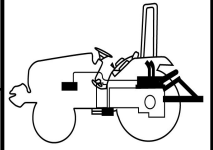
T233 / T273

LIFT ARM

P1

Year / Month

2009 / 12



T233/T273-E-602A

NOTE

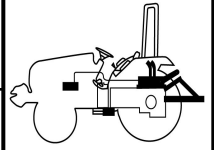
FIG 603

FLOW CONTROL VALVE

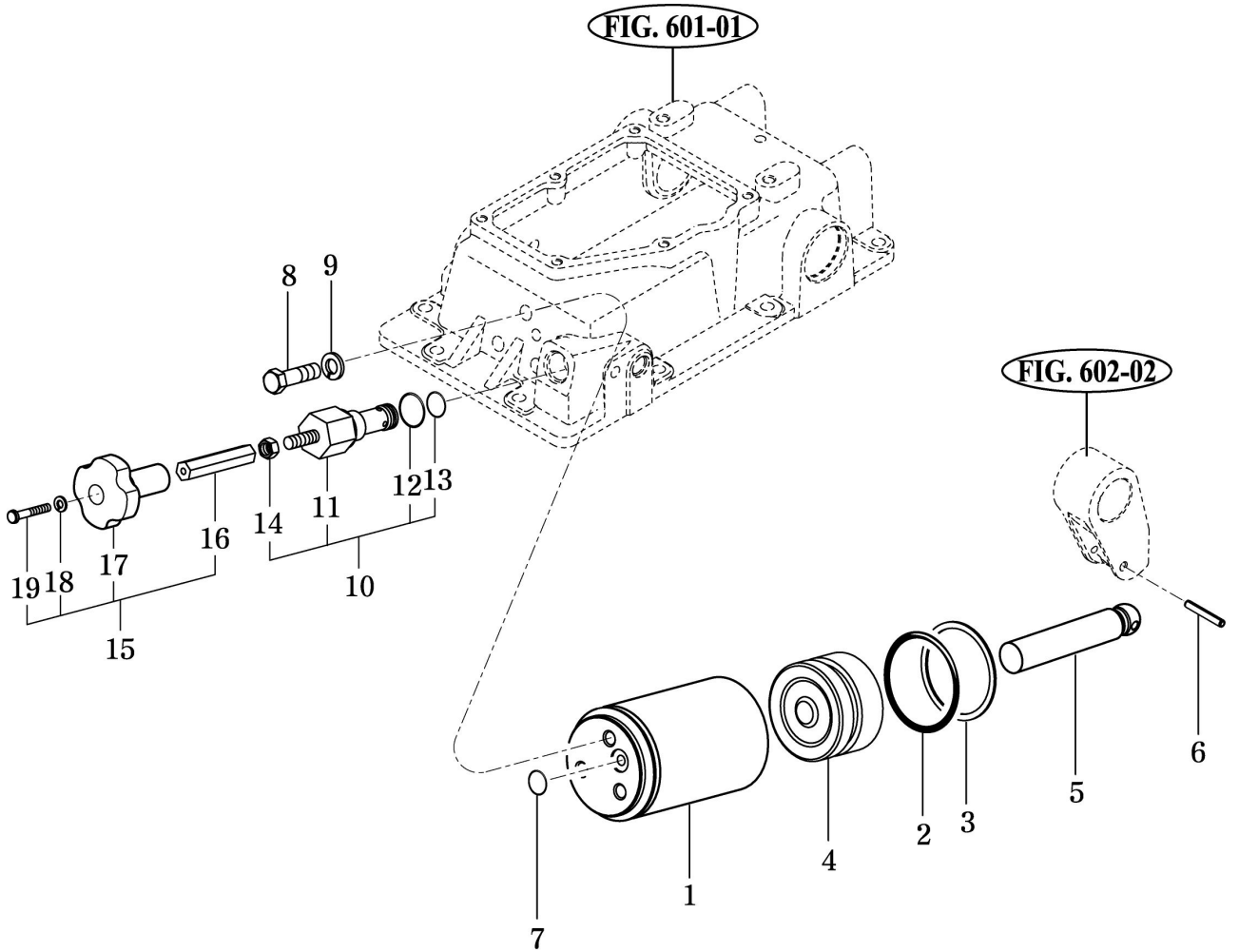
P1

Year / Month

2009 / 12



T233 / T273



T233/T273-E-603A

NOTE

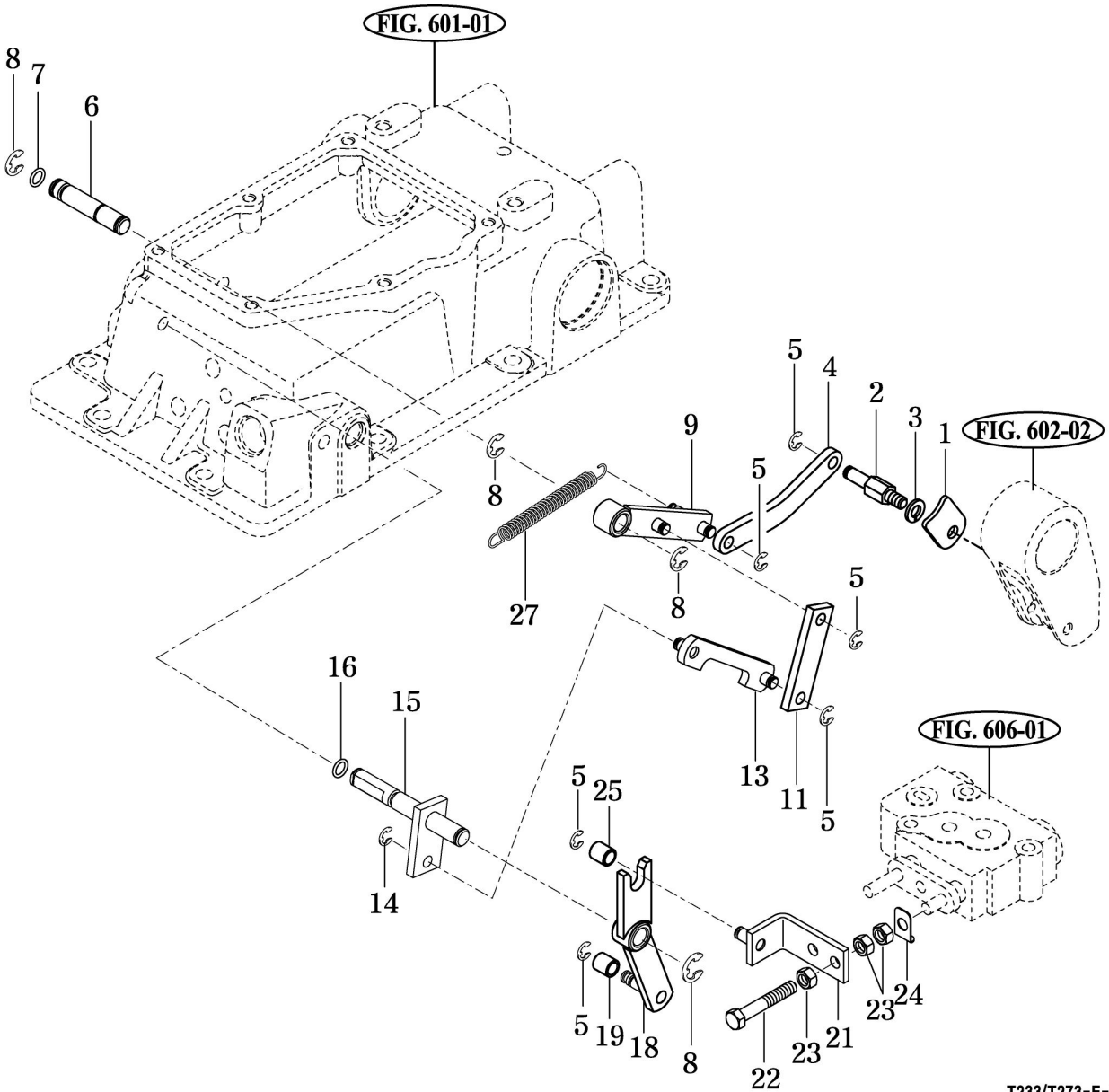
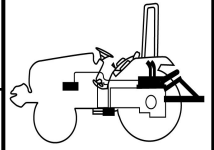
FIG 604

CONTROL VALVE LINKAGE

P1

Year / Month

2009 / 12



T233/T273-E-604A

NOTE

FIG 605

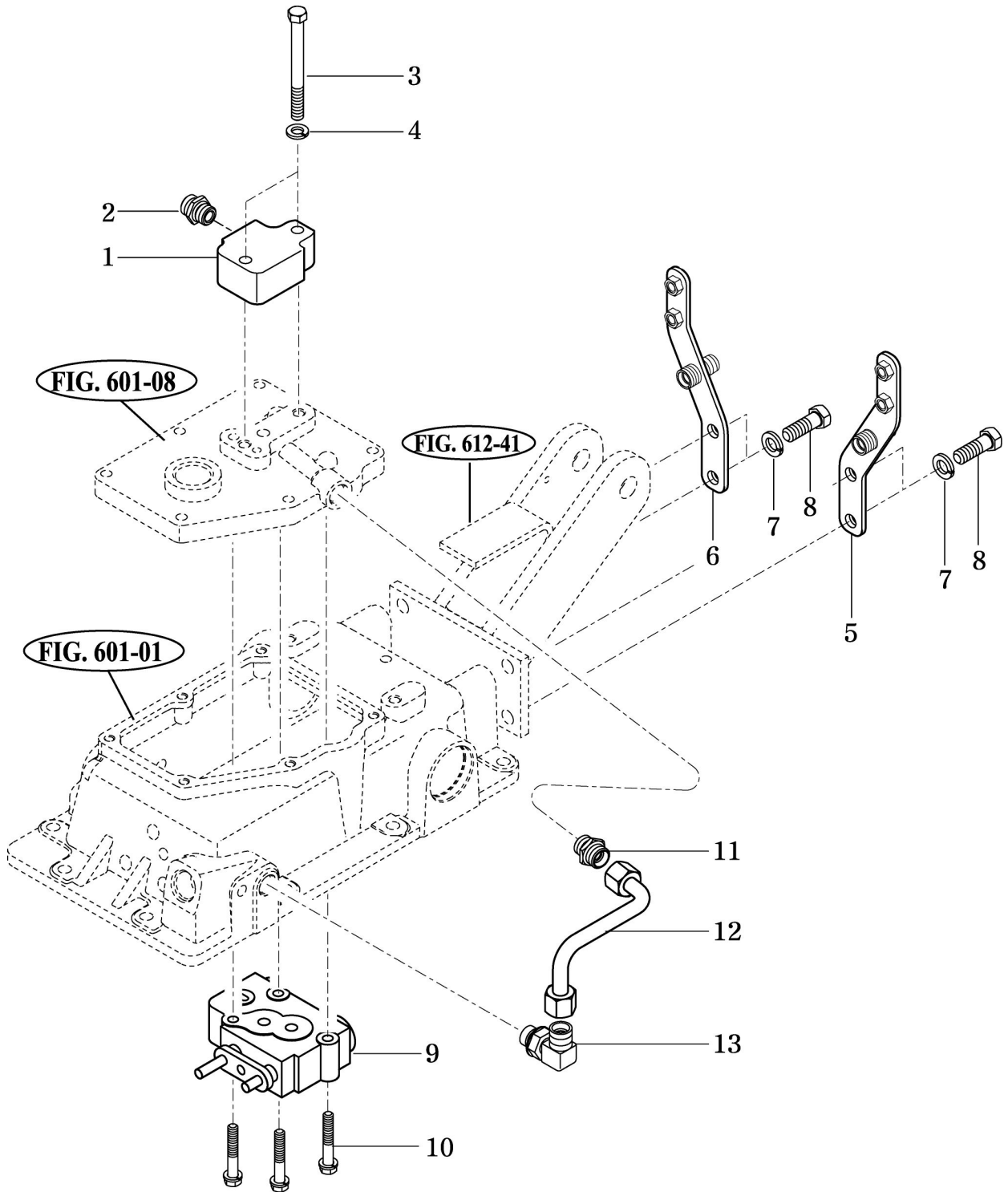
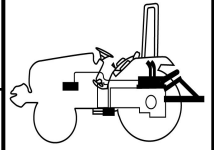
MAIN CONTROL VALVE

T233 / T273

P1

Year / Month

2009 / 12



T233/T273-E-606B

NOTE

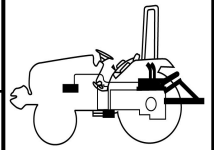
FIG 606

REMOTE CONTROL VALVE

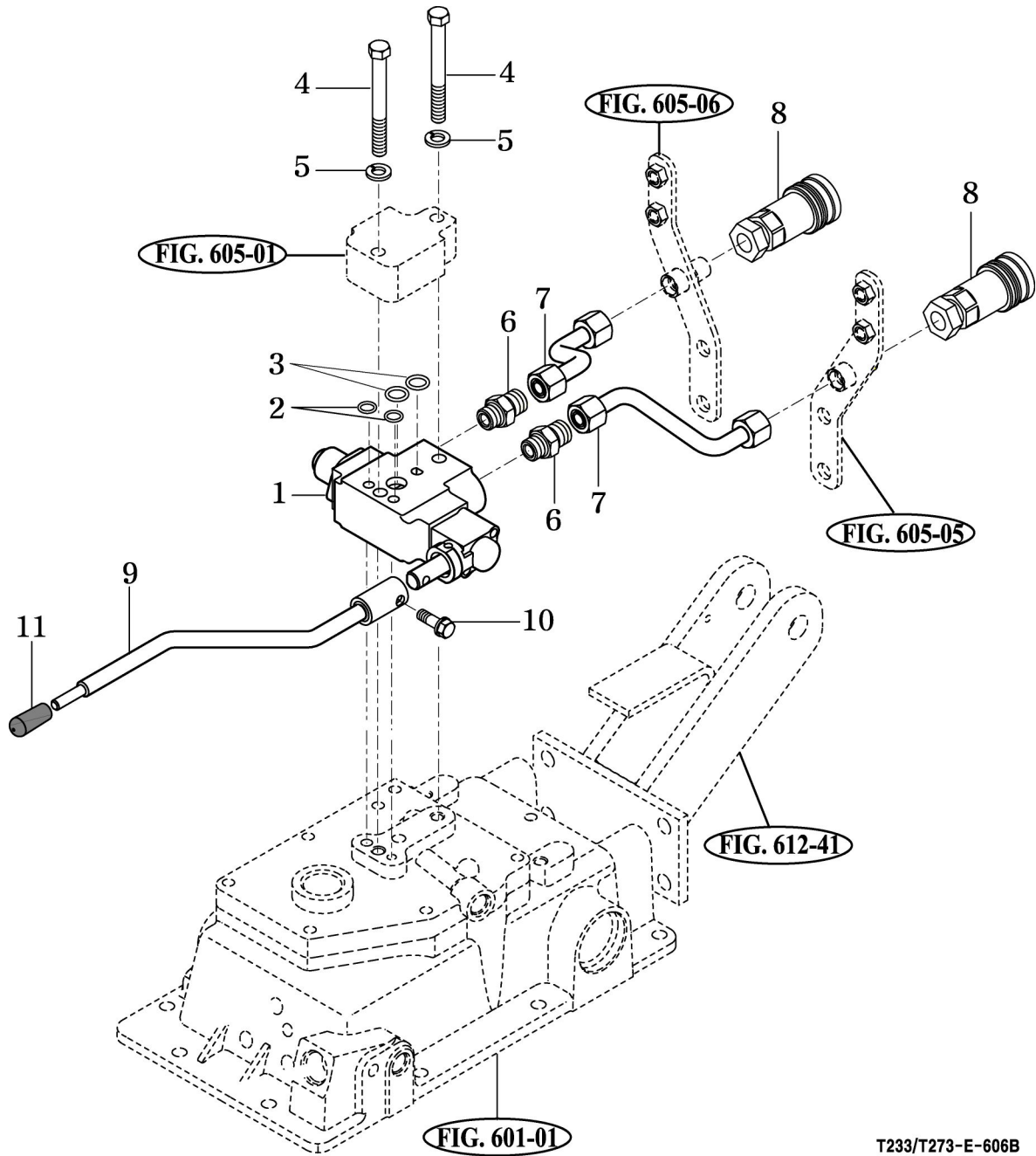
P1

Year / Month

2009 / 12



T233 / T273



T233/T273-E-606B

NOTE

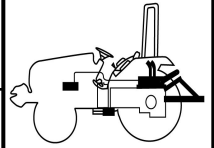
FIG 607

POSITION LEVER LINKAGE

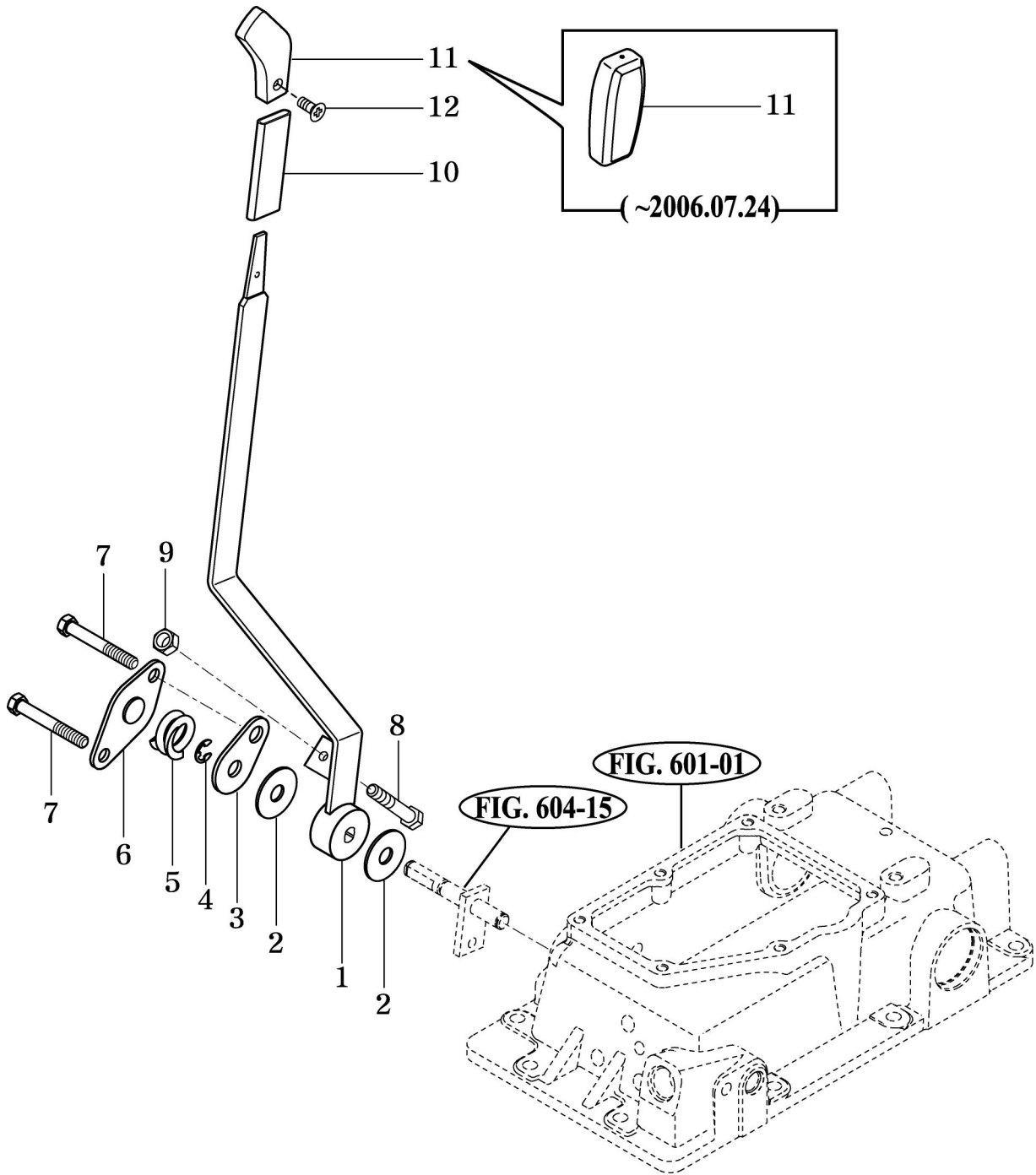
P1

Year / Month

2009 / 12



T233 / T273



T233/T273-E-607A

NOTE

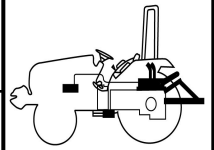
FIG 608

HYDRAULIC PUMP & GEAR PUMP

P1

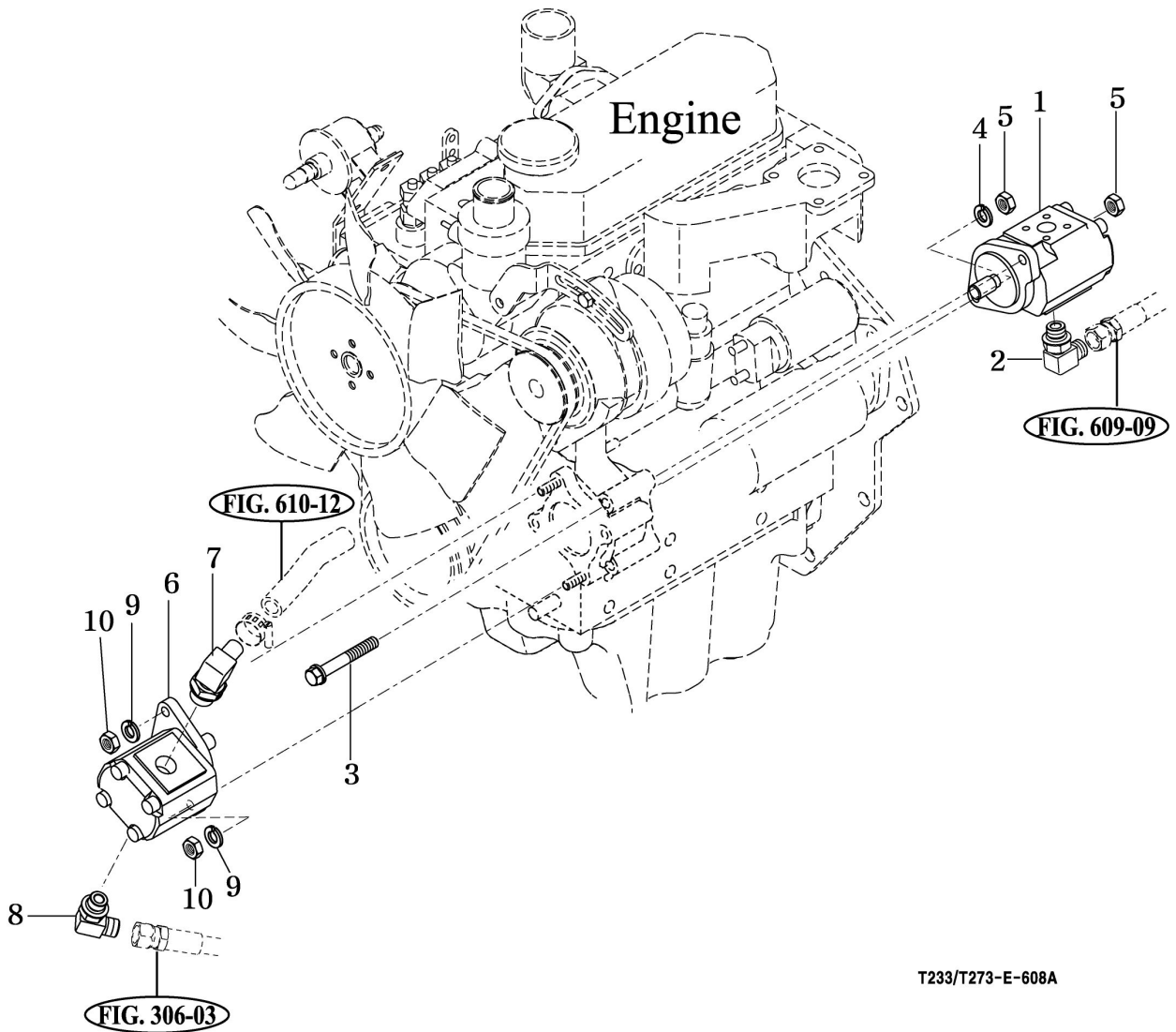
Year / Month

2009 / 12



T233 / T273

Engine



T233/T273-E-608A

NOTE

FIG 609

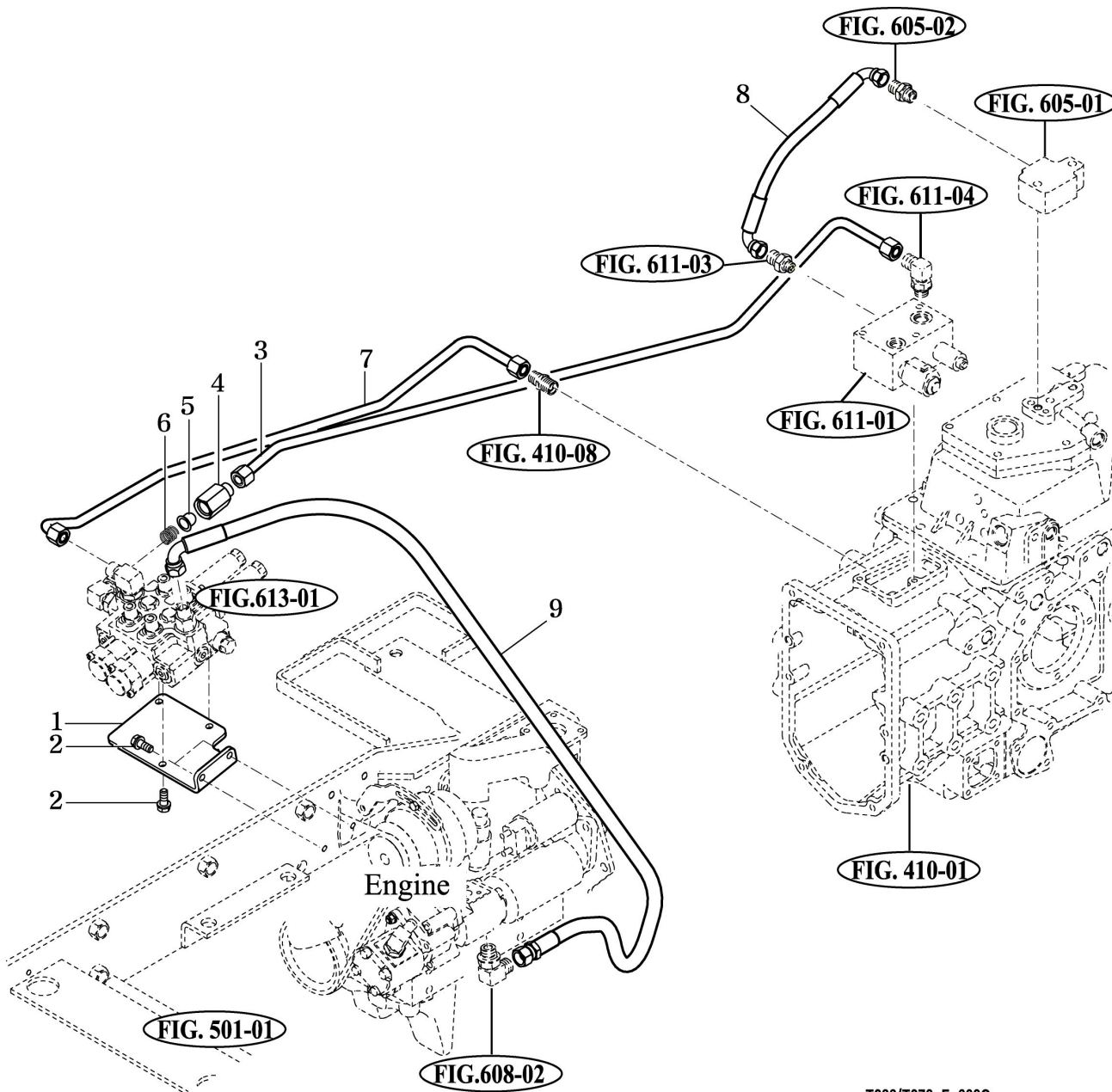
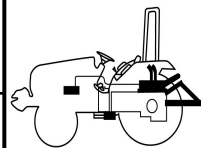
HYDRAULIC HOSE (1)

T233 / T273

P1

Year / Month

2009 / 12



T233/T273-E-609C

NOTE

FIG 610

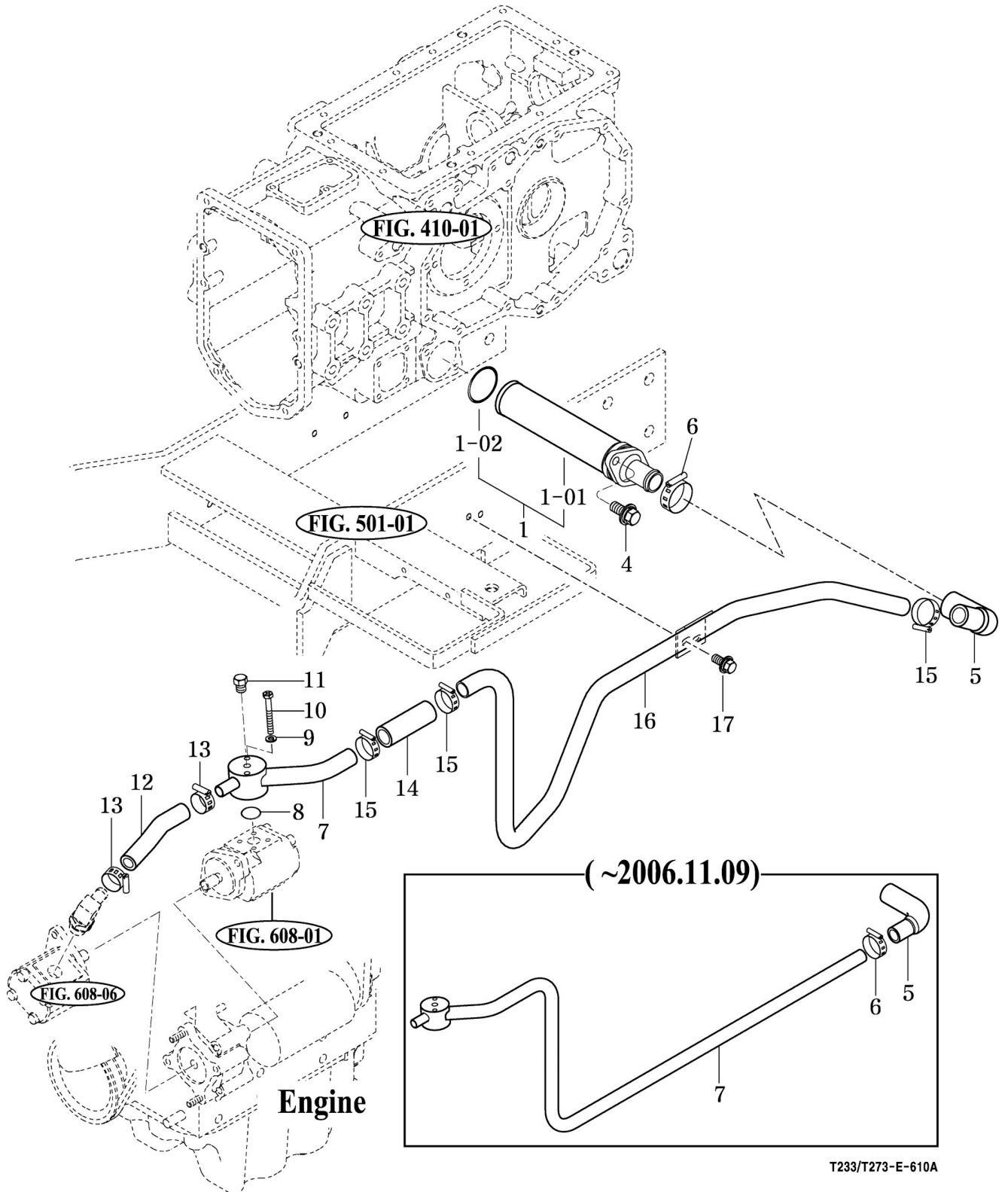
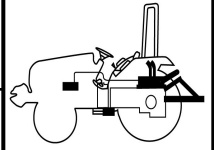
HYDRAULIC HOSE (2)

T233 / T273

P1

Year / Month

2009 / 12



T233/T273-E-610A

NOTE

FIG 611

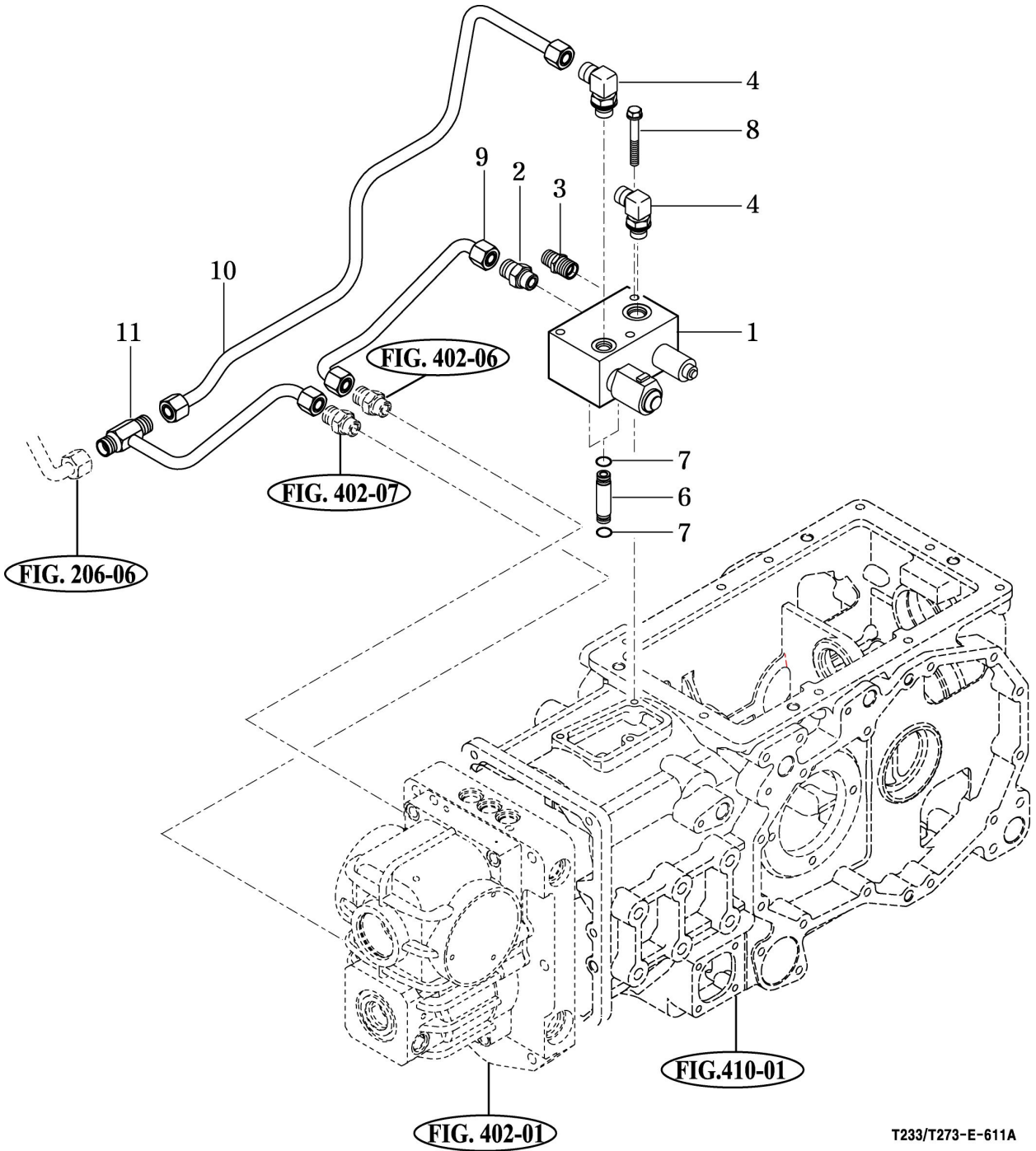
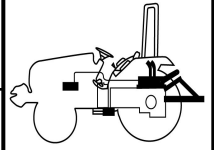
PTO VALVE

T233 / T273

P1

Year / Month

2009 / 12



T233/T273-E-611A

NOTE

FIG 612

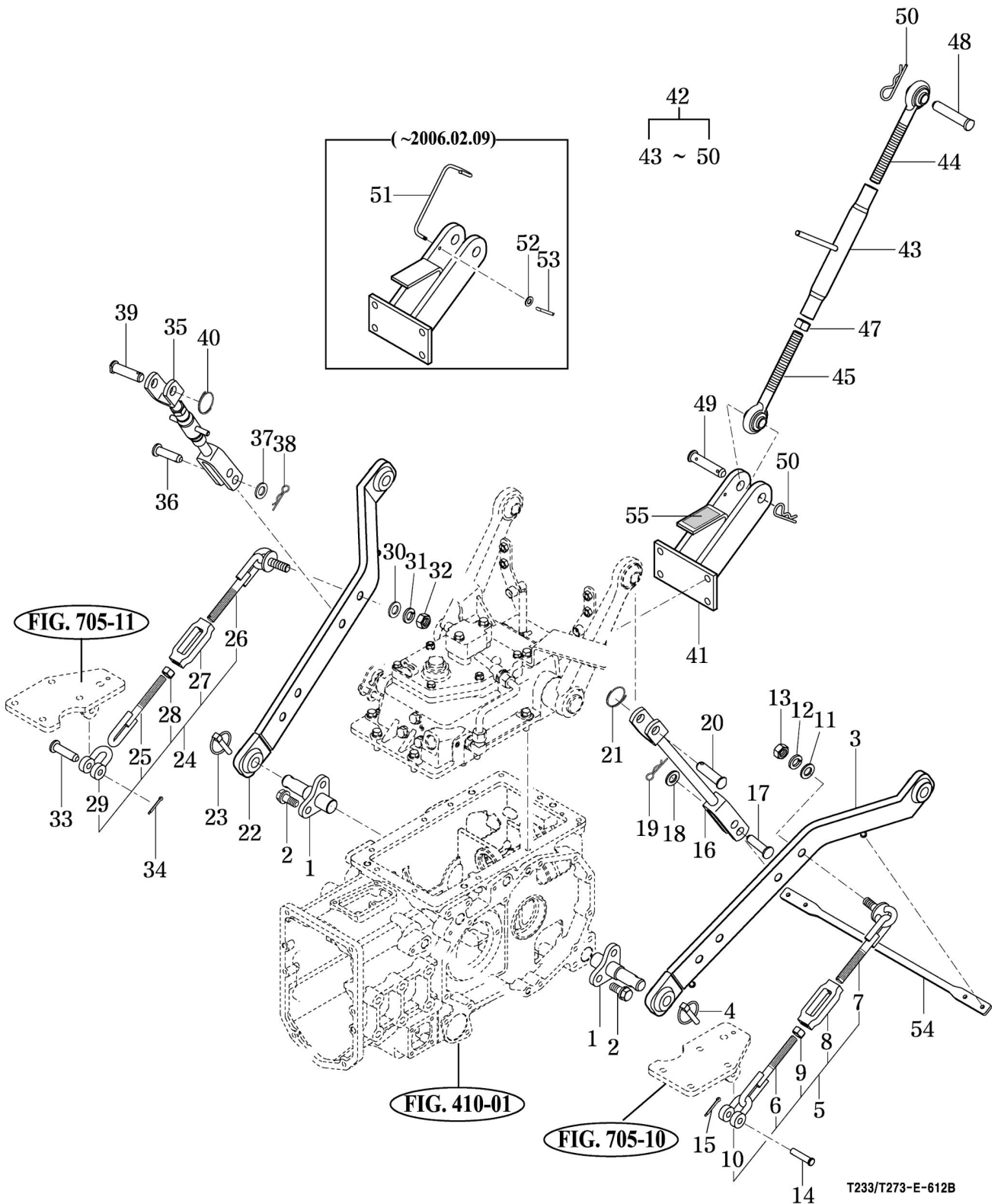
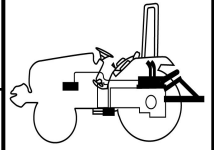
HITCH & 3-POINT LINKAGE

T233 / T273

P2

Year / Month

2009 / 12



T233/T273-E-612B

NOTE

FIG 613

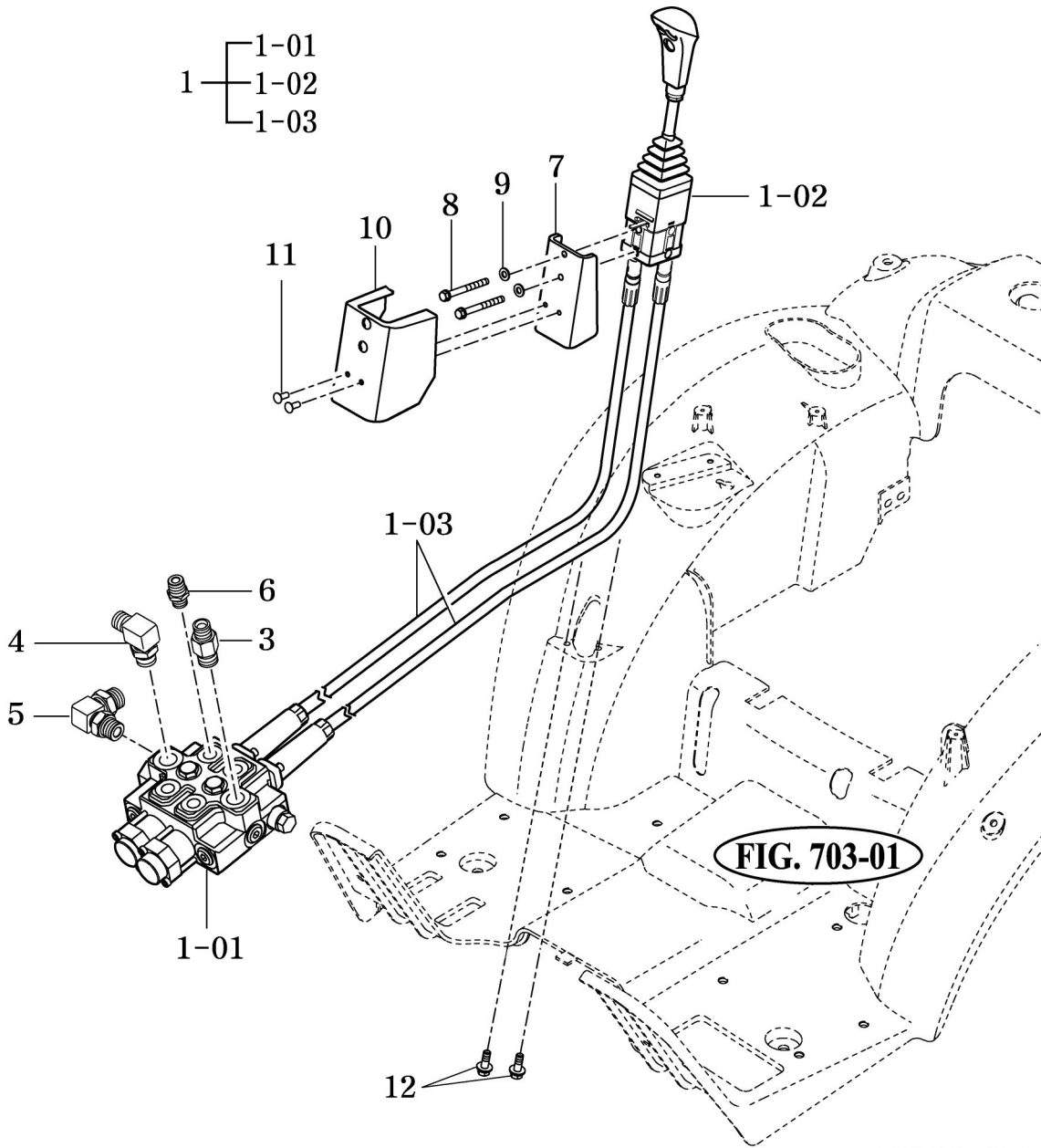
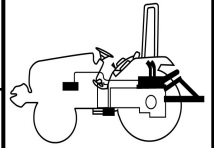
JOYSTICK LEVER

T233 / T273

P1

Year / Month

2009 / 12



T233/T273-E-613B

NOTE

FIG 614

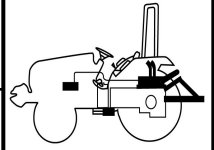
HITCH & COVER

T233 / T273

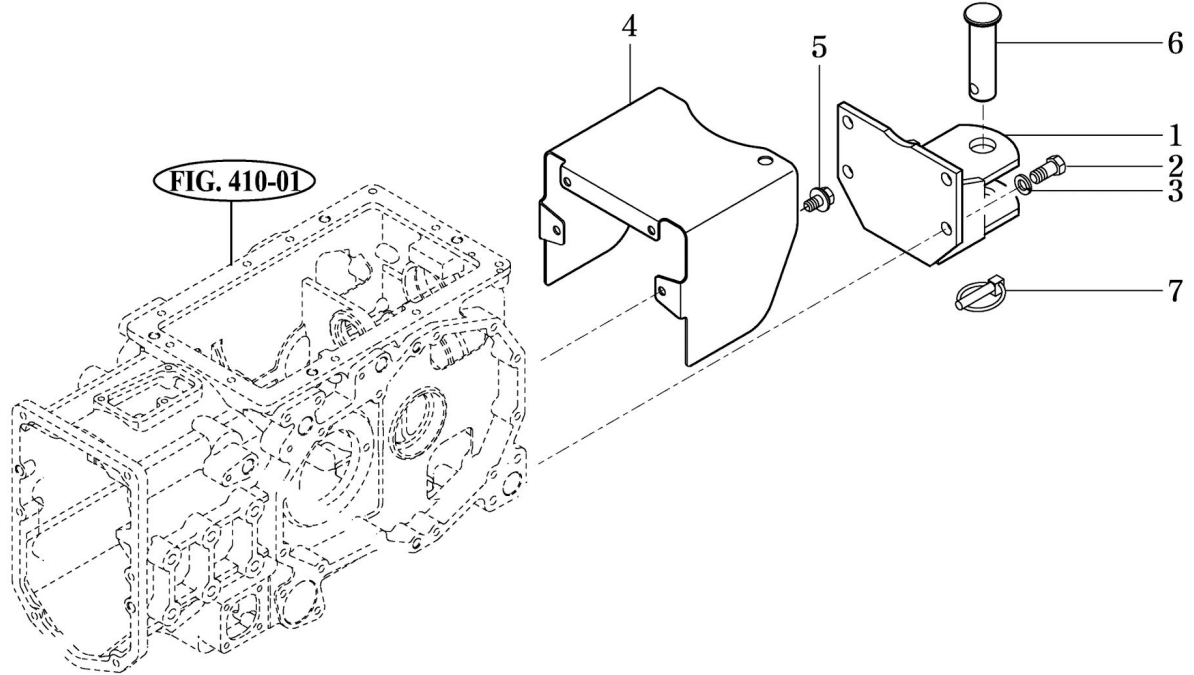
P1

Year / Month

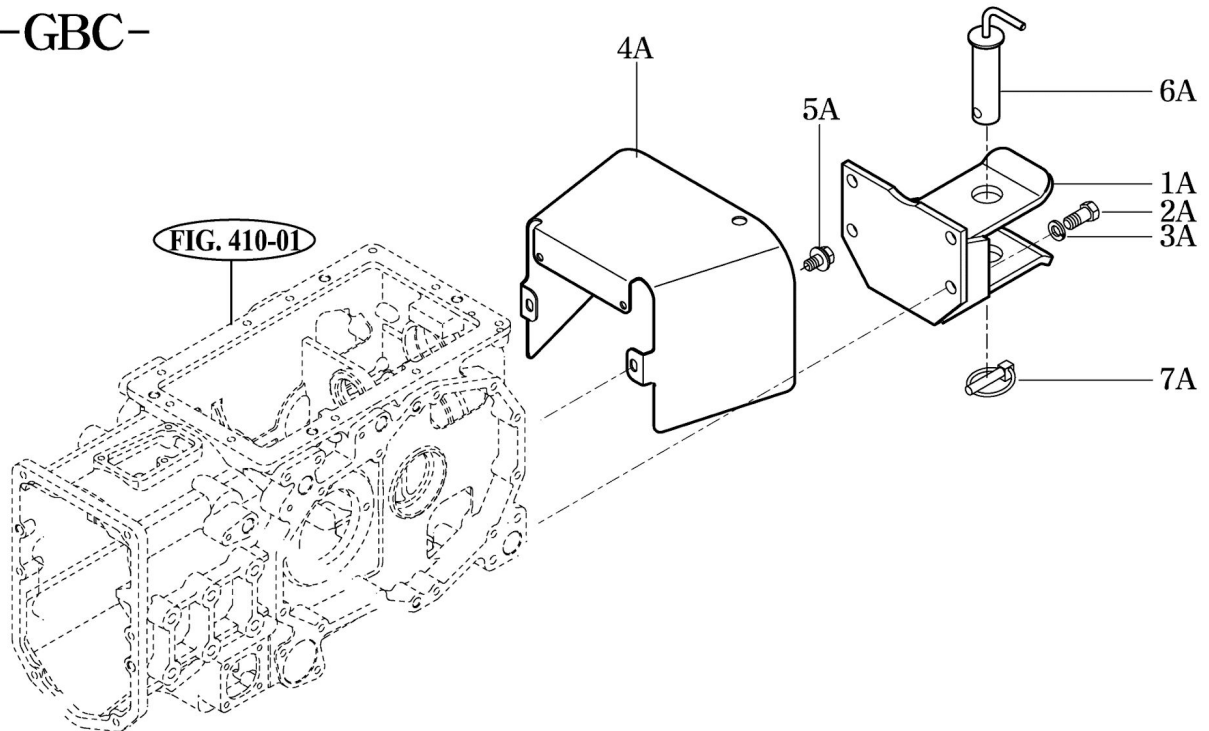
2009 / 12



-USM,USJ-



-GBC-



T233/T273-E-614A

NOTE