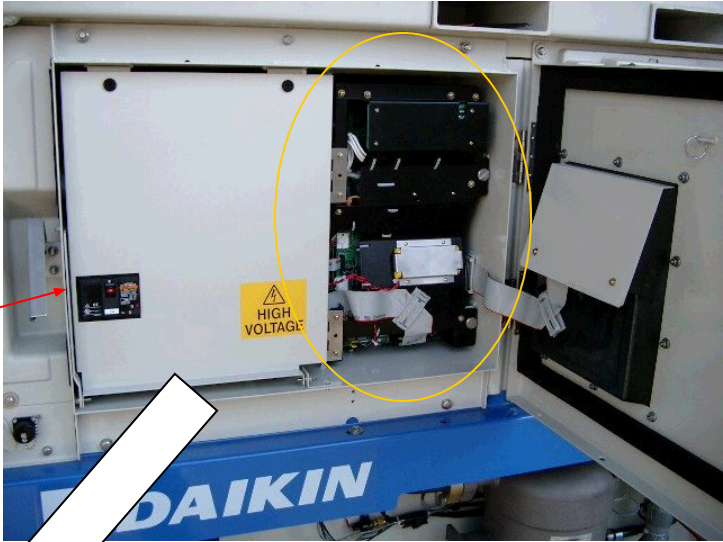


# Replacement of controller (DECOS III c)

Open the control cover.

Turn off the circuit breaker



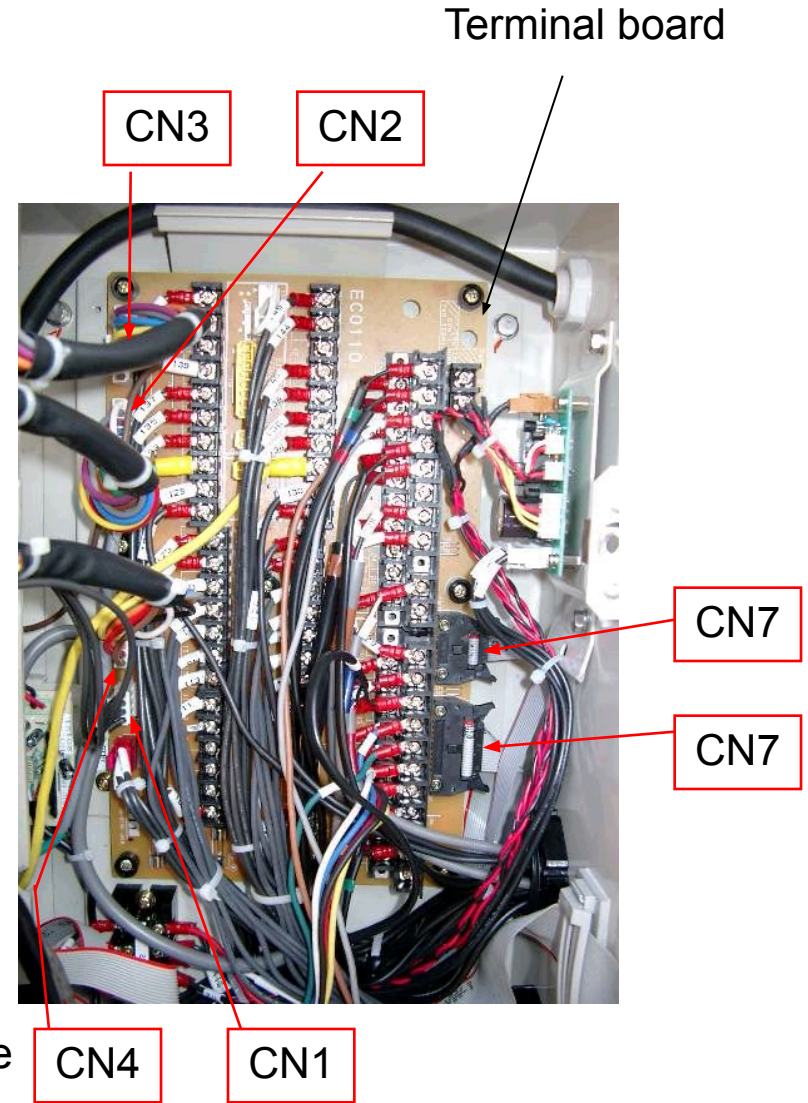
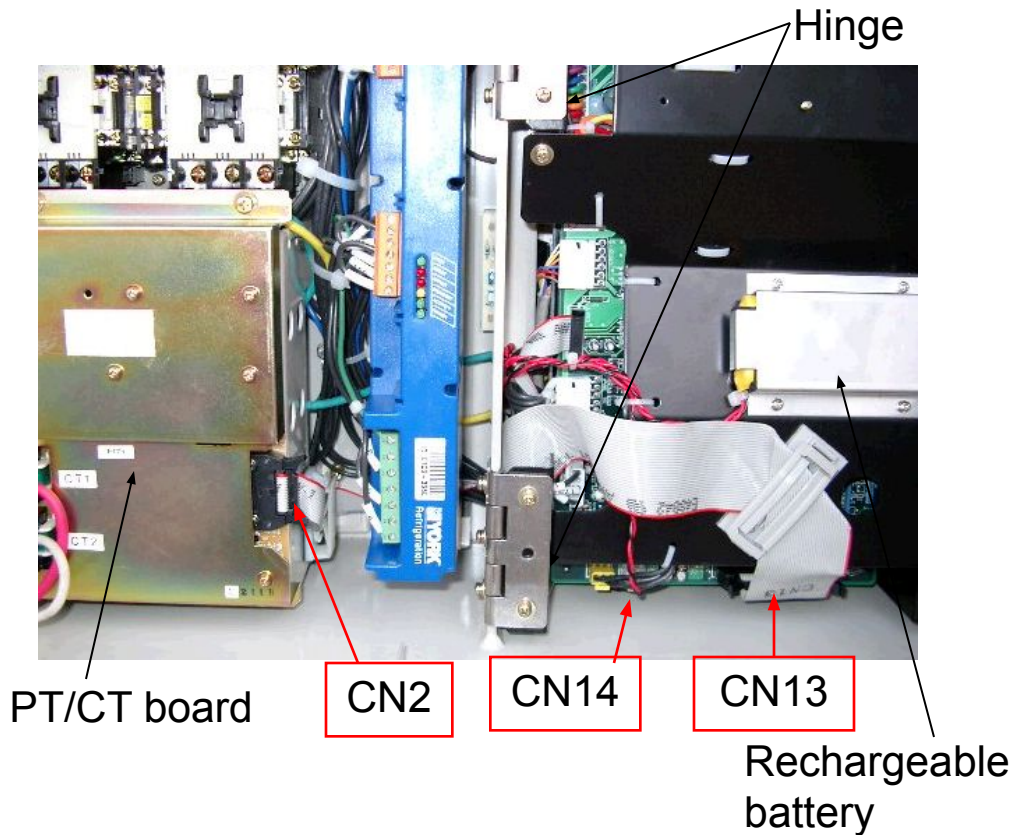
**Controller  
(DECOS III c)**

MODEM



# Replacement of controller (DECOS III c)

- ① Disconnect connector CN1, CN2, CN3, CN4, CN6 and CN7 on Terminal board.
- ② Disconnect connector CN2 on PT/CT board.
- ③ Removal of rechargeable battery and disconnect
- ④ Disconnect CN14 on CPU board.

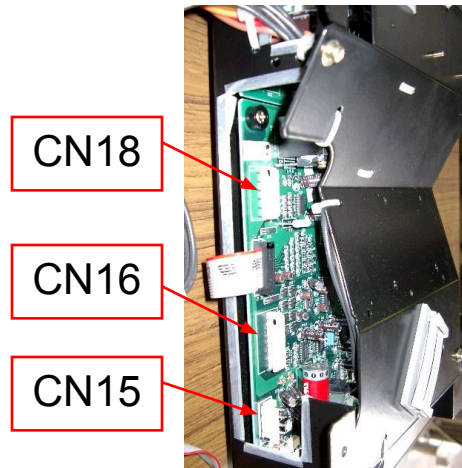


# Replacement of controller (DECOS III c)

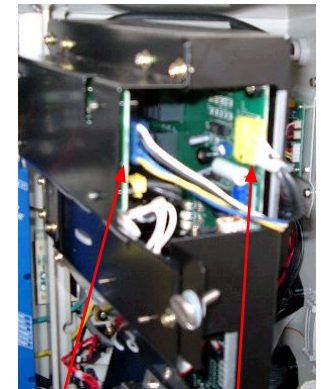
⑥ Disconnect connector CN84 on adapter board.

⑦ Disconnect connector CN15, CN17 and CN18 on CPU board.

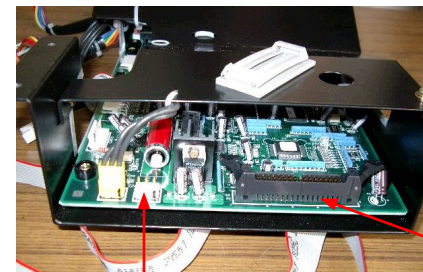
⑧ Remove 2 pieces of bolt that hinge is fixed for the controller.



## 【Controller】



⑨ Take out the controller from the control box



CN13

CN13



# Replacement of controller (DECOS III c)

## 【Terminal board】

