



# *Electric Cars*

Made by: student of  
Tomsk Polytechnic University  
Solozhenko A.V.

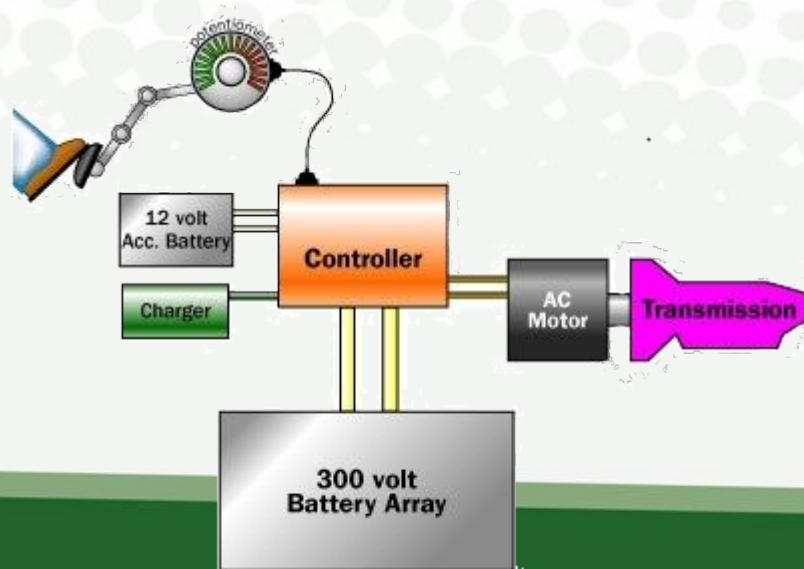
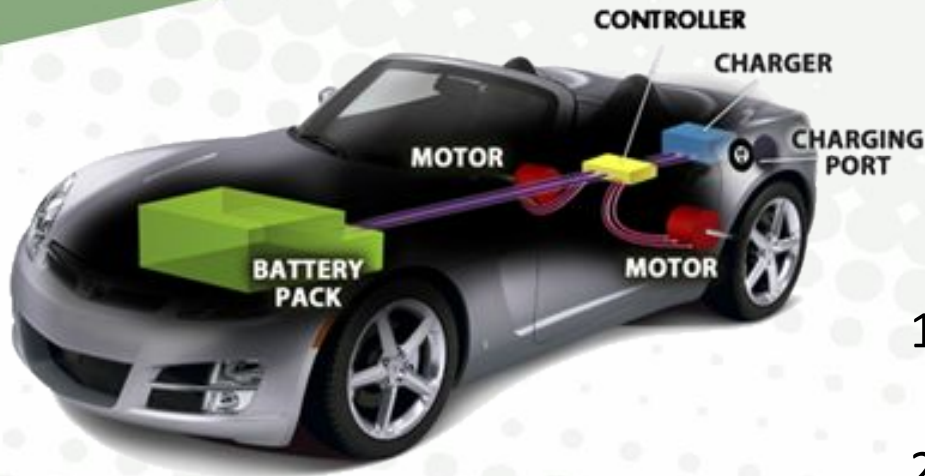


# Contents

- What is an “Electric Car”;
- Advantages and Disadvantages of Electric Cars in front of Fuel Cars;
- Prototypes and working models of Electric Cars;
- Conclusion.



# Electric Cars



- When the pedal is pushed;
1. The controller gathers energy from the battery,
  2. Controller delivers the appropriate amount of electrical energy to the motor.
  3. Electric energy transforms to mechanical energy.
  4. Wheels turn, vehicle moves.

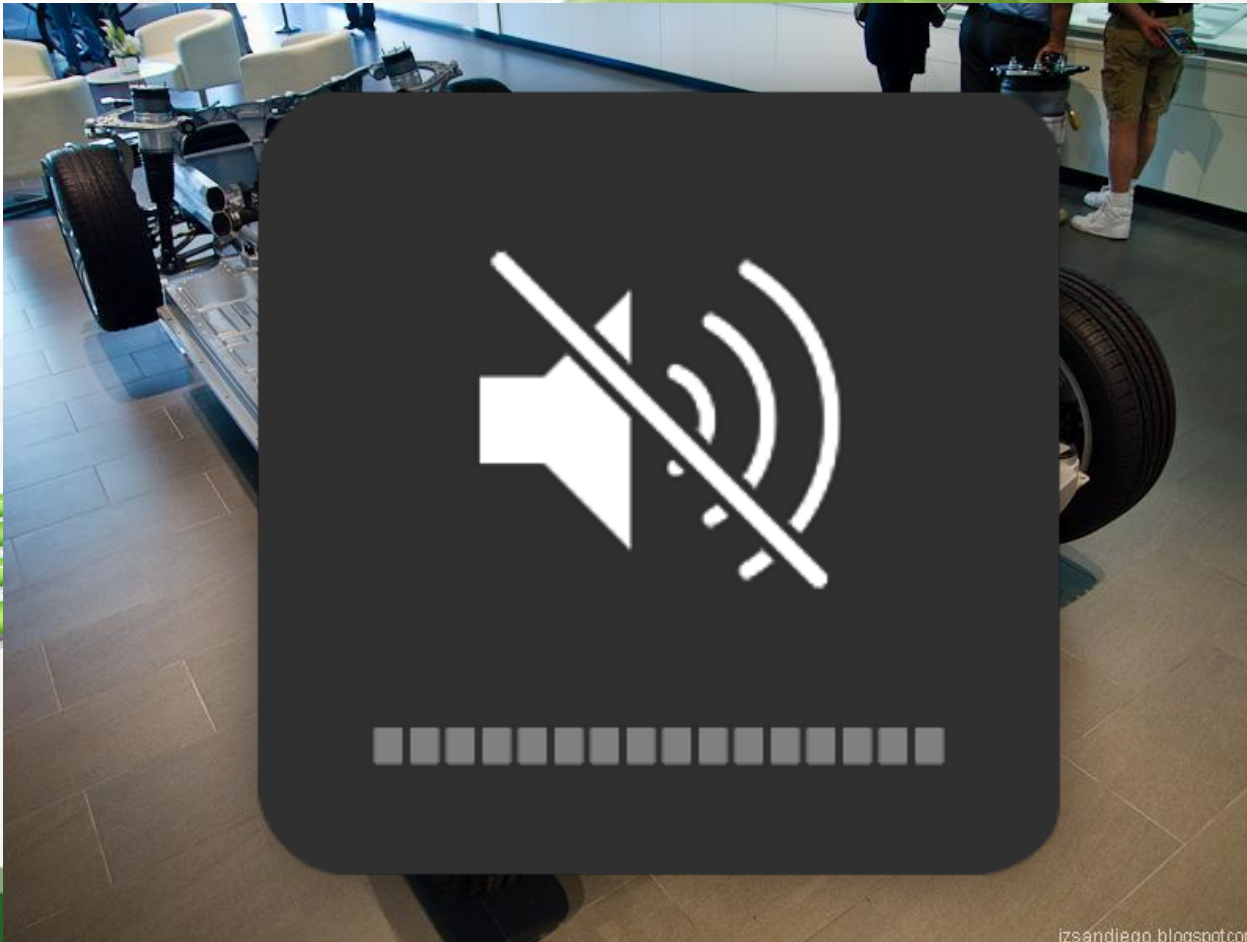


# Electric Cars



# Advantages

## 2 Environmentally friendly cars





# Disadvantages

## 3. Short periods of charging





# Real Electric Cars and prototypes





# Conclusion

Electric Cars are Future! Fossil fuels ends and we need to turn our world on the new way!







# References

- <https://ru.wikipedia.org/wiki/Электромобиль> (15:19 22.04.2015)
- [www.revolta-motors.ru/tesla-model-s/features/](http://www.revolta-motors.ru/tesla-model-s/features/) (16:32 22.04.2015)
- <https://www.google.ru/search?q=электромобили-картинки> (17:11 22.04.2015)
- <http://www.ecar.dp.ua/info/106-kak-rabotaet-elektricheskiy-avtomobil.html> (18:11 22.04.2015)
- <http://www.ecar.dp.ua/info/100-plyusy-i-minusy-elektricheskikh-avtomobiley.html> (18:32 22.04.2015)
- <http://autogeek.com.ua/kak-eto-rabotaet-elektromobil-tesla/> (19:10 22.04.2015)
- <http://hybmotors.ru/kak-rabotaet-krutyashhiy-moment-v-elektromobile/> (20:12 22.04.2015)
- [http://innoeco.ru/postsView/Elektromobil\\_-\\_preimucshestva\\_nedostatki\\_perspektivy\\_35.html](http://innoeco.ru/postsView/Elektromobil_-_preimucshestva_nedostatki_perspektivy_35.html) (21:13 22.04.2015)



**THANKS YOU FOR  
ATTENTION!**