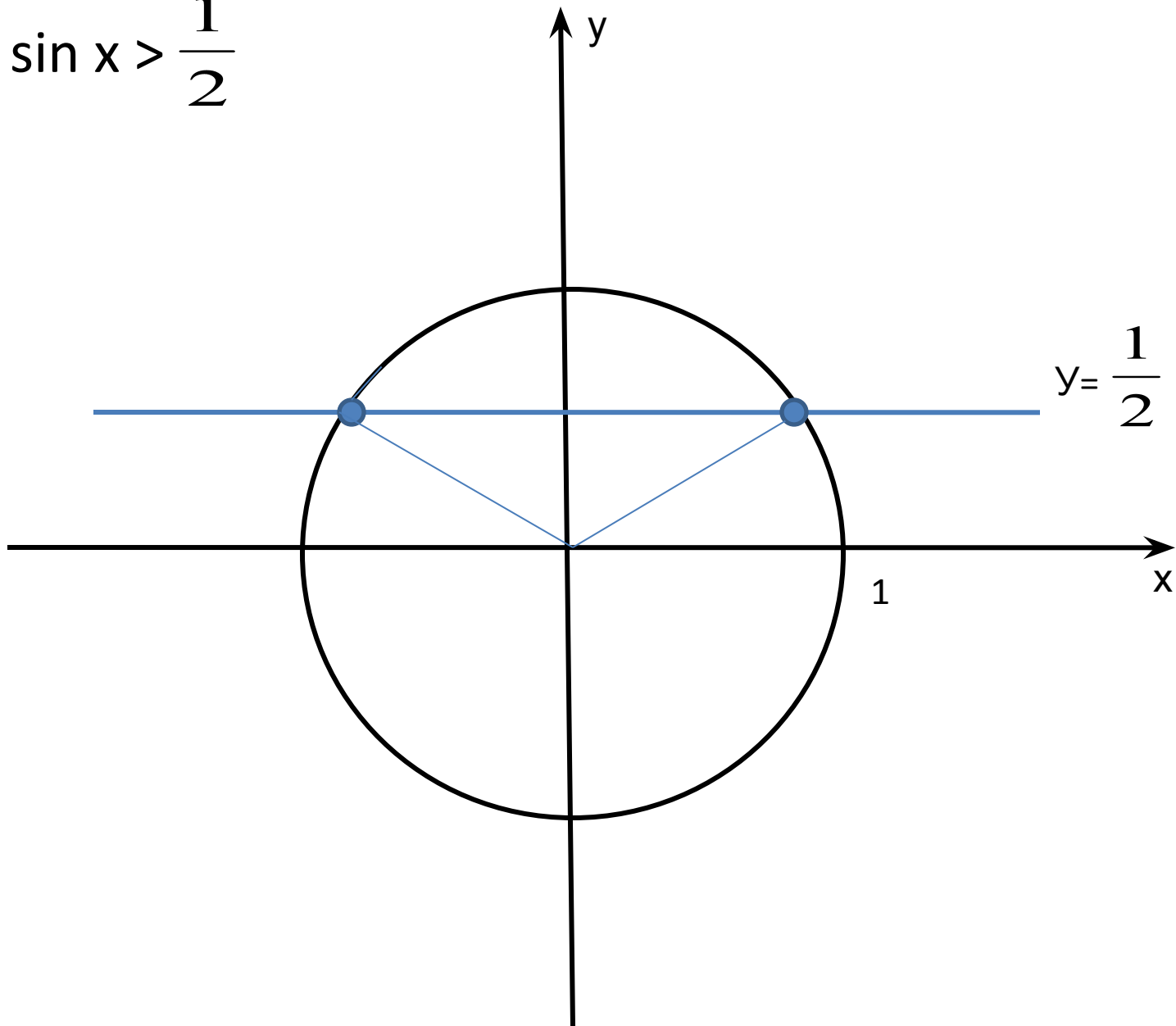
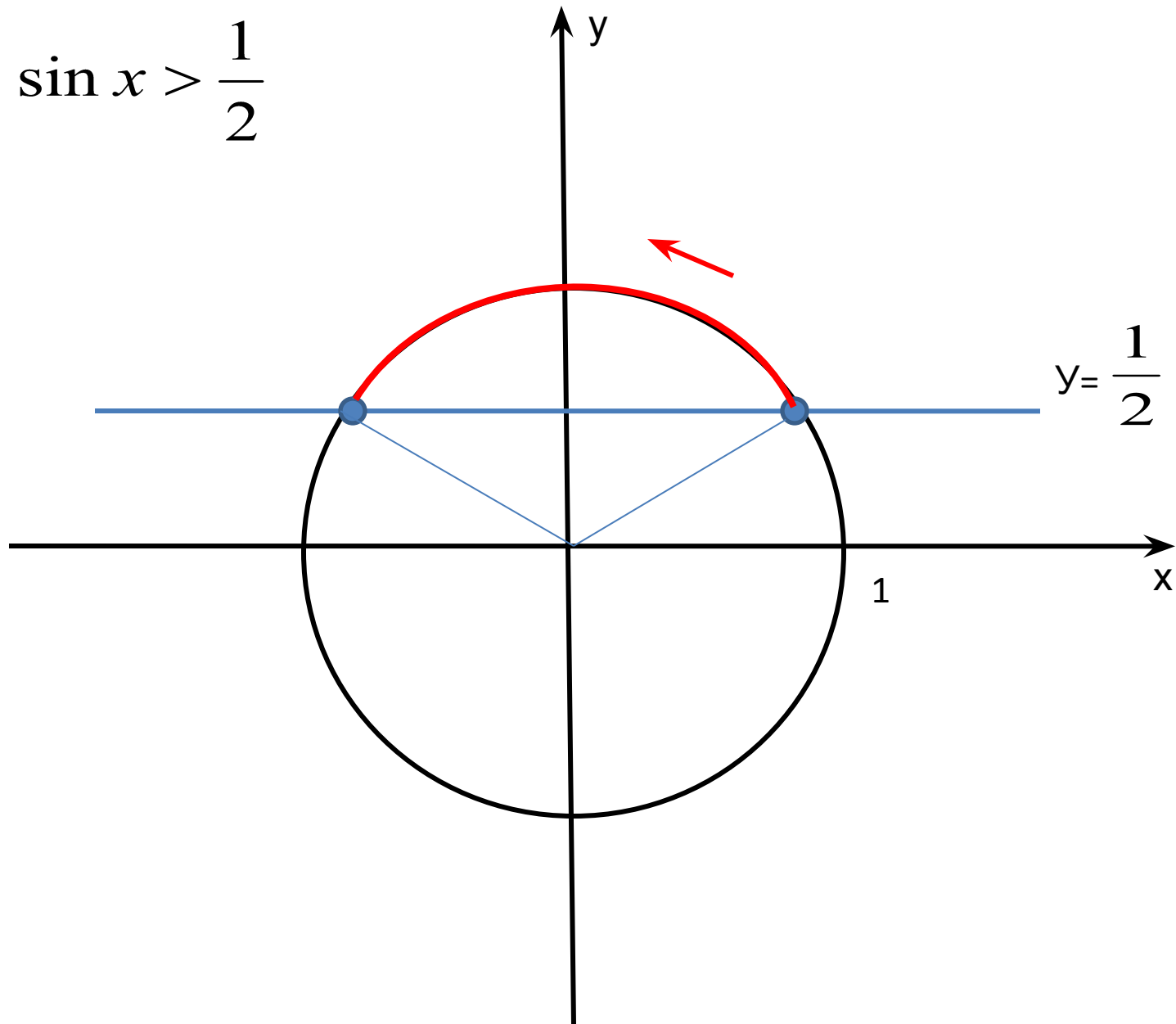


**Решение  
простейших  
тригонометрически  
х неравенств**

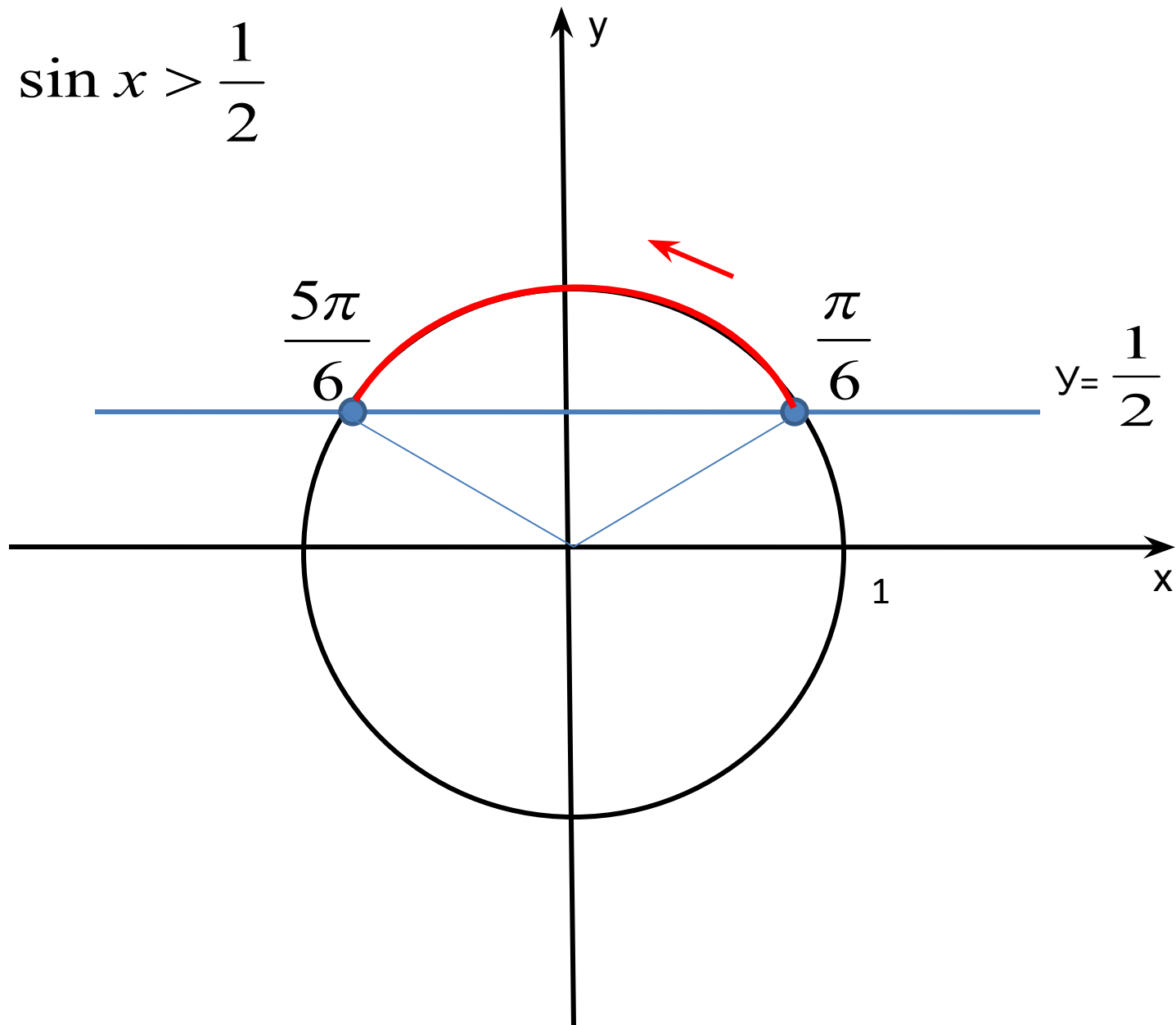
$$\sin x > \frac{1}{2}$$



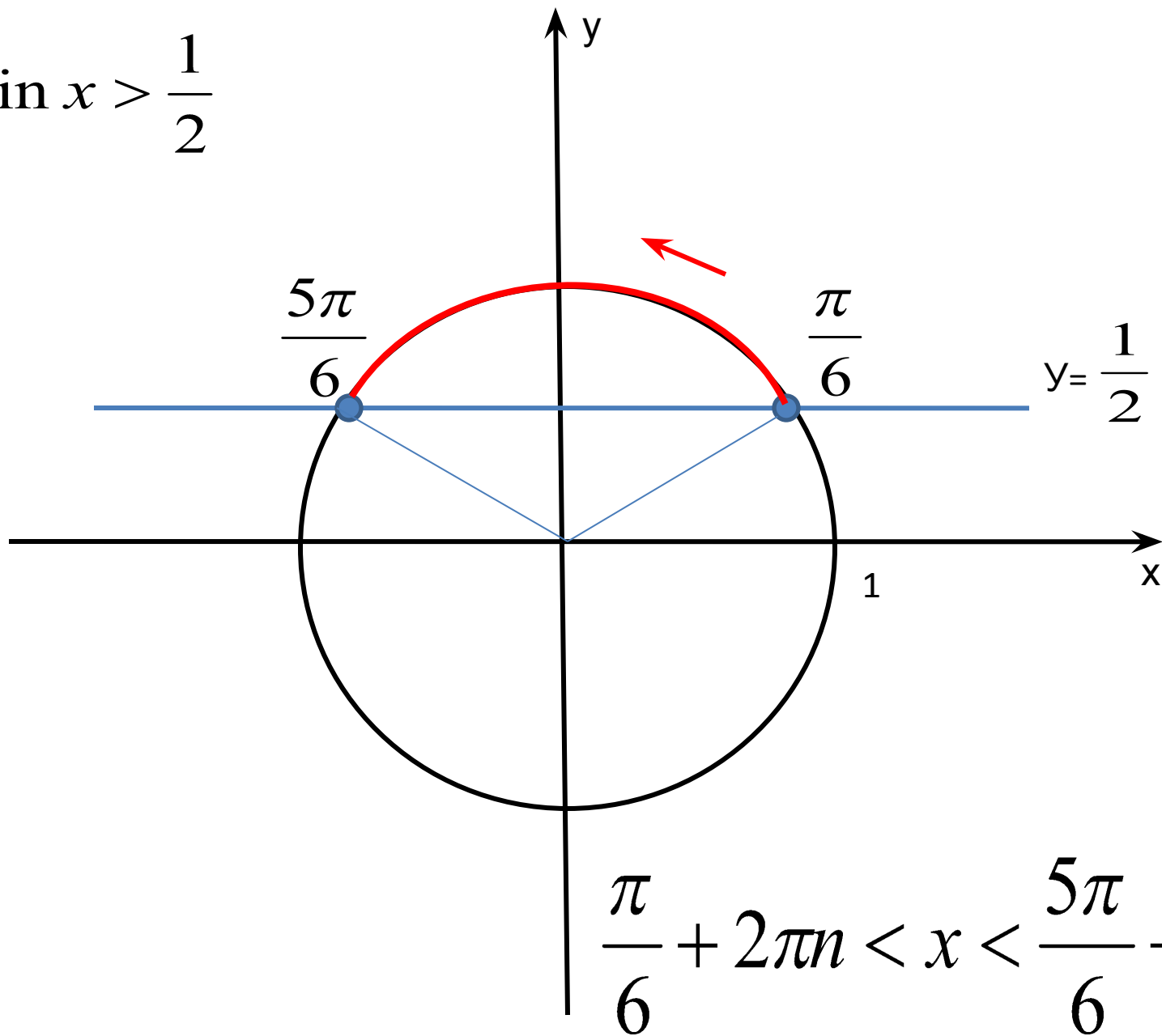
$$\sin x > \frac{1}{2}$$



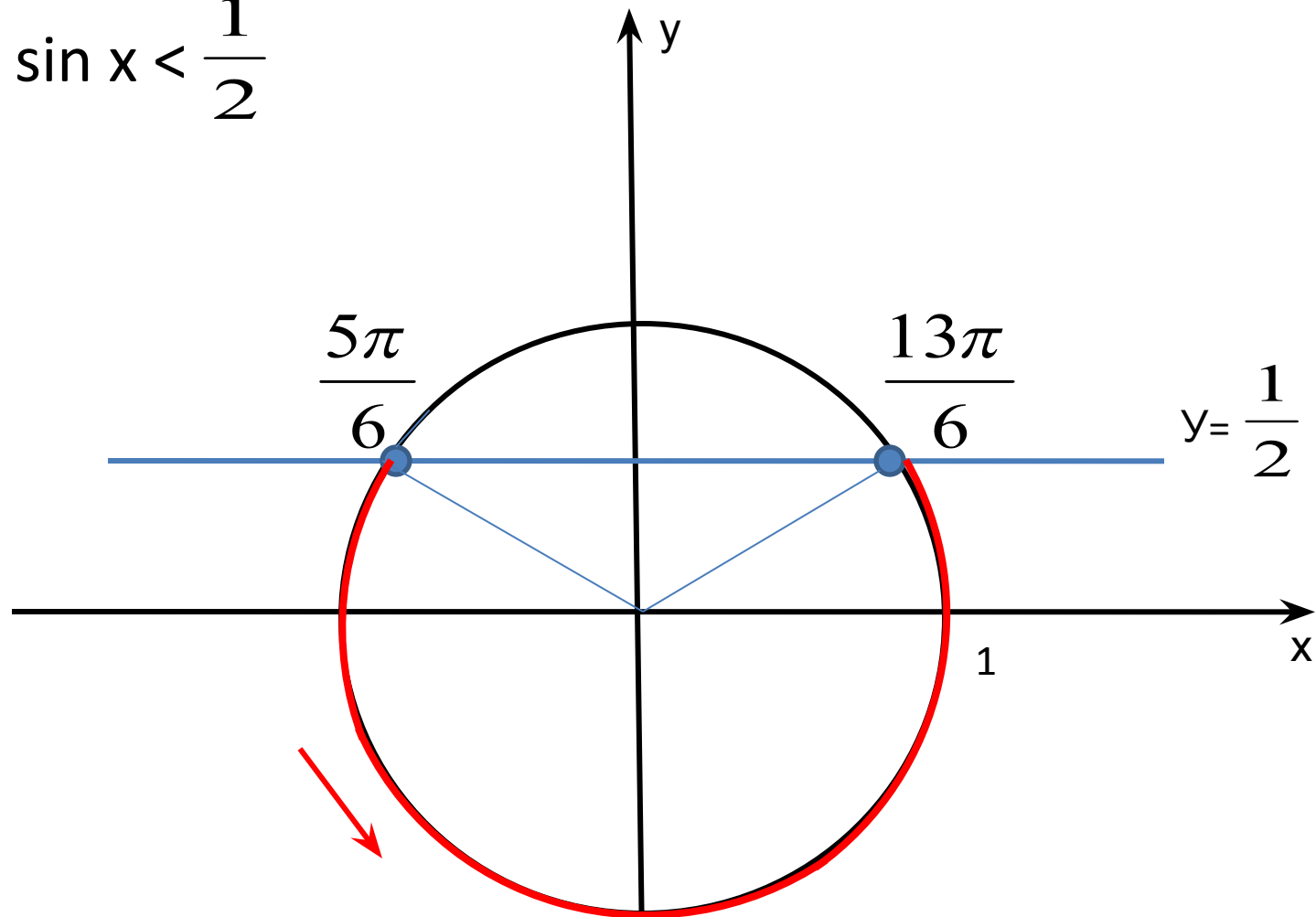
$$\sin x > \frac{1}{2}$$



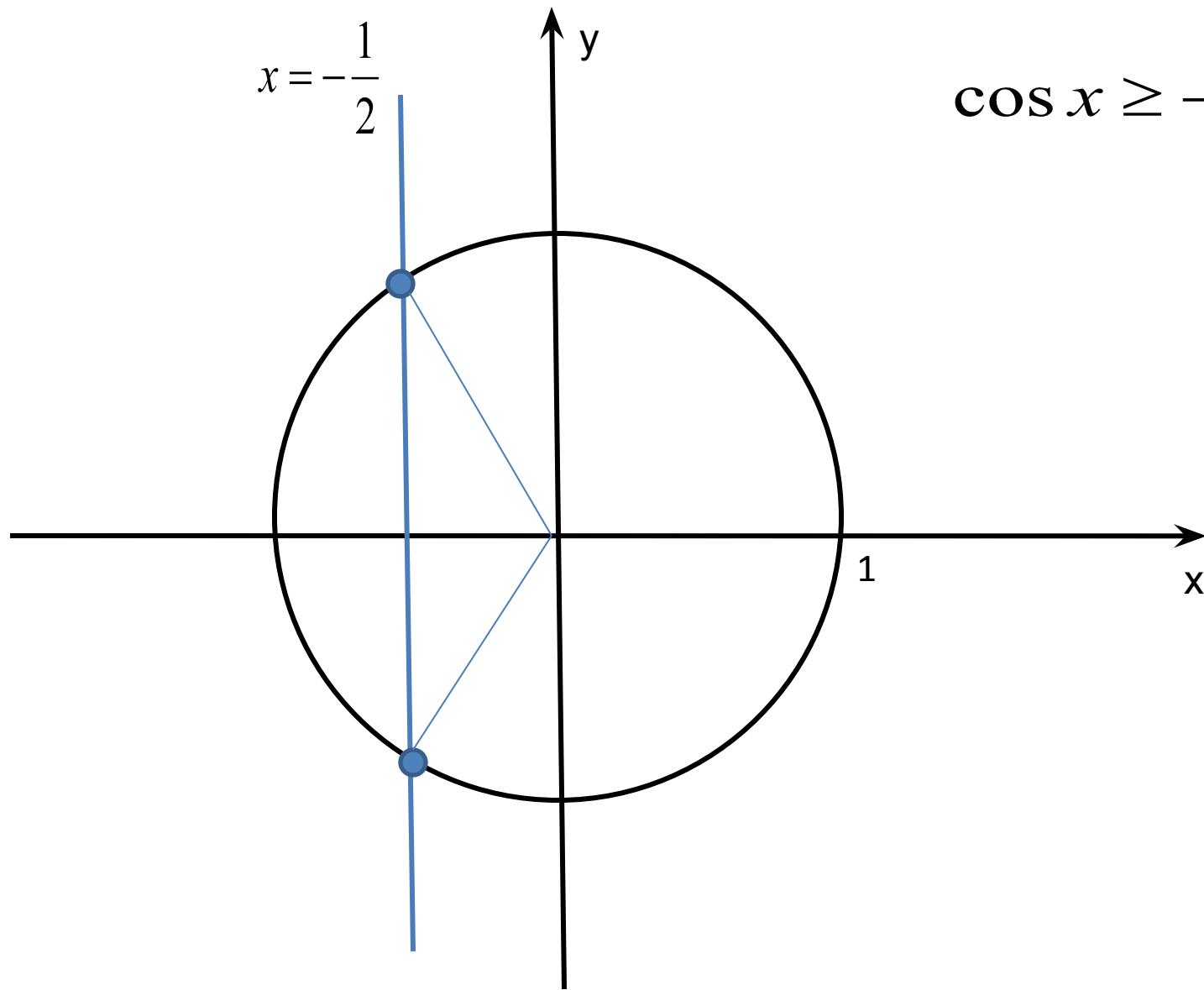
$$\sin x > \frac{1}{2}$$



$$\sin x < \frac{1}{2}$$



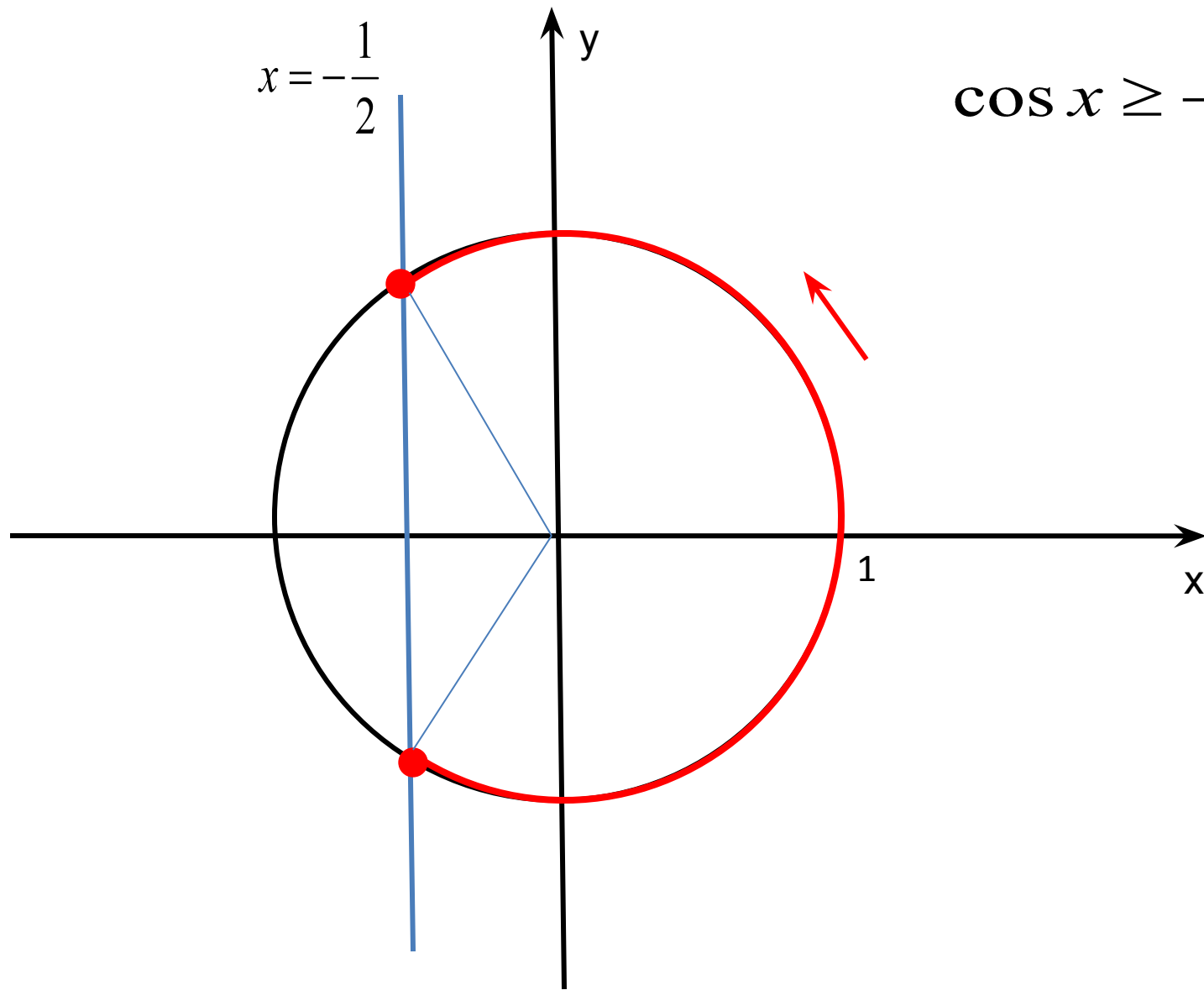
$$\frac{5\pi}{6} + 2\pi n < x < \frac{13\pi}{6} + 2\pi n$$



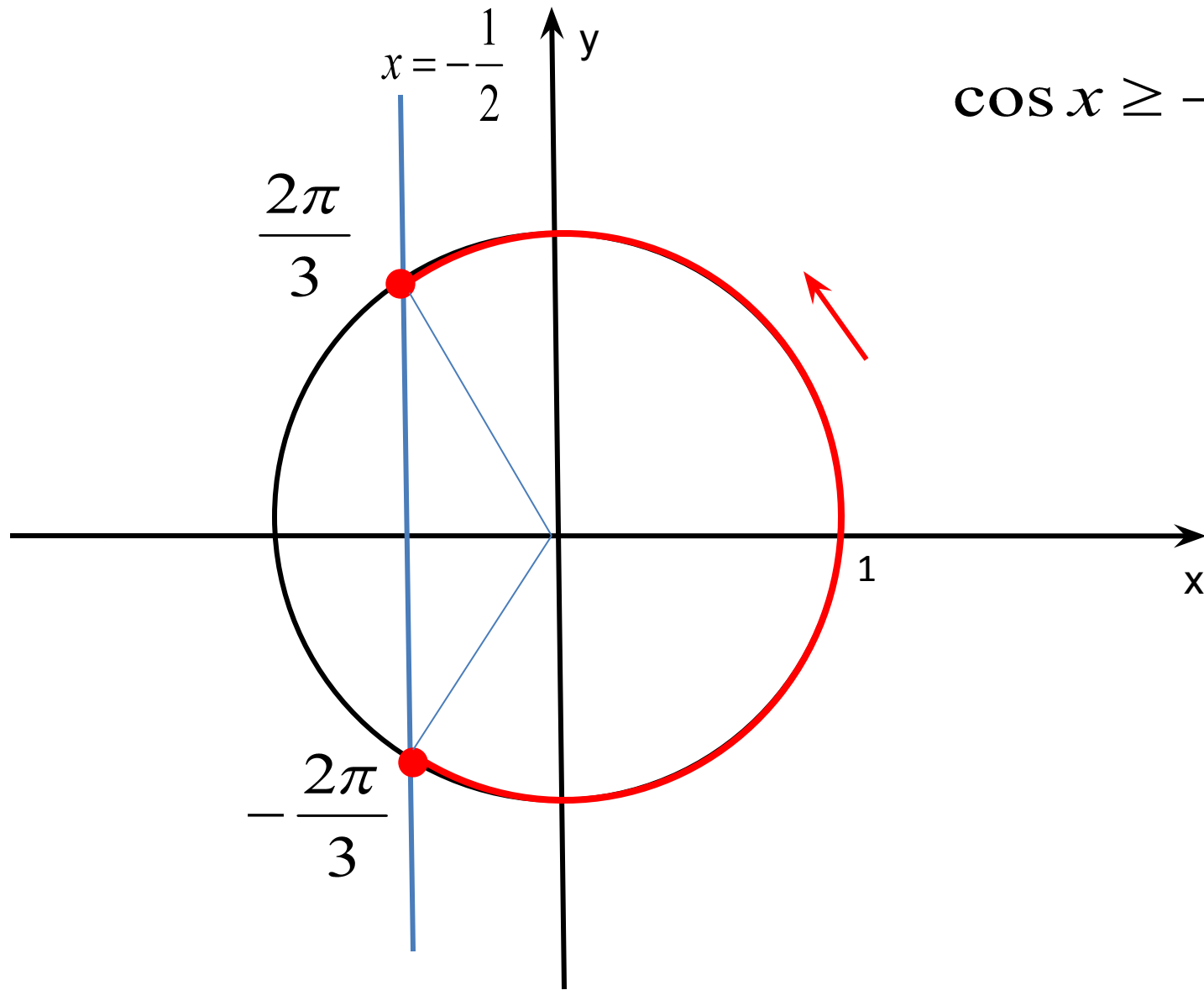
$$\cos x \geq -\frac{1}{2}$$

$$x = -\frac{1}{2}$$

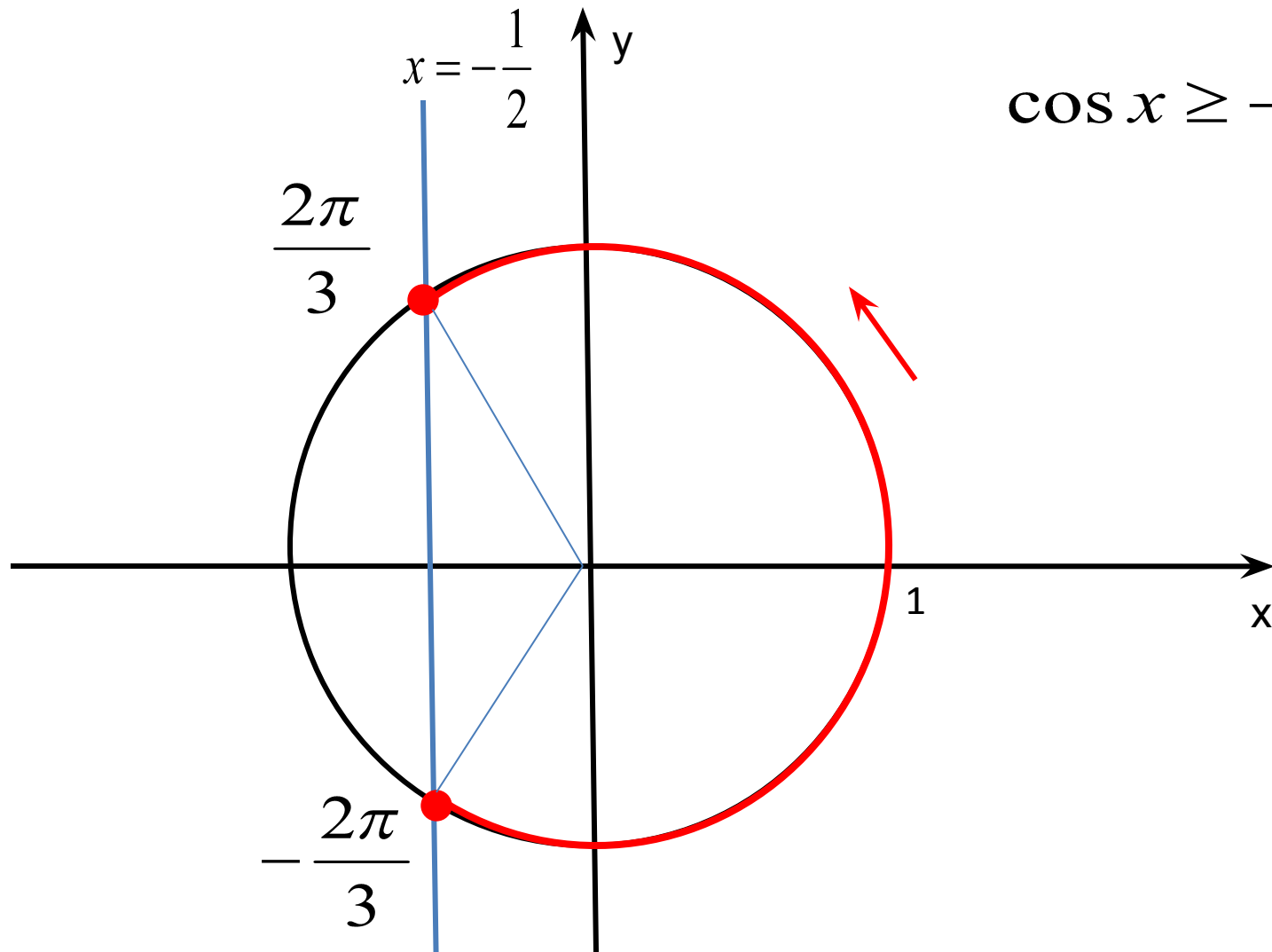
$$\cos x \geq -\frac{1}{2}$$



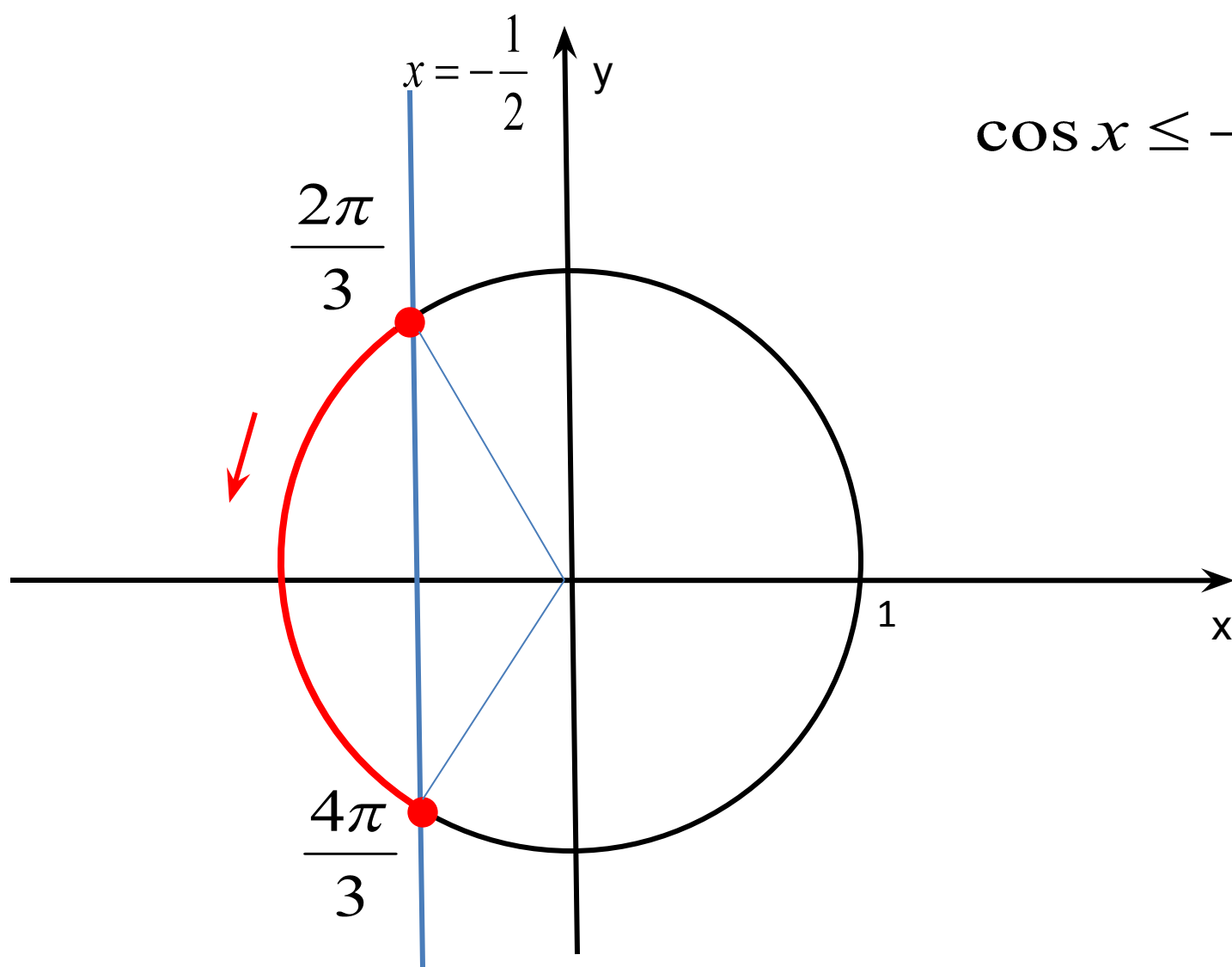




$$\cos x \geq -\frac{1}{2}$$



$$-\frac{2\pi}{3} + 2\pi n \leq x \leq \frac{2\pi}{3} + 2\pi n$$



$$\cos x \leq -\frac{1}{2}$$

$$\frac{2\pi}{3} + 2\pi n \leq x \leq \frac{4\pi}{3} + 2\pi n$$