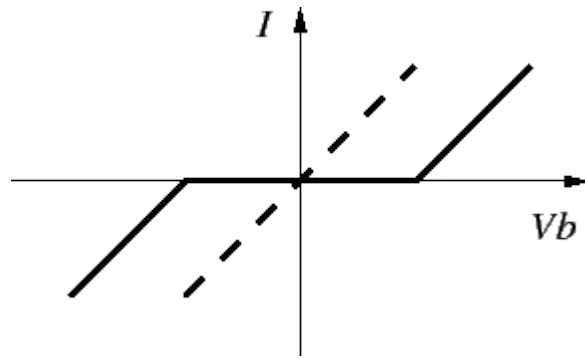
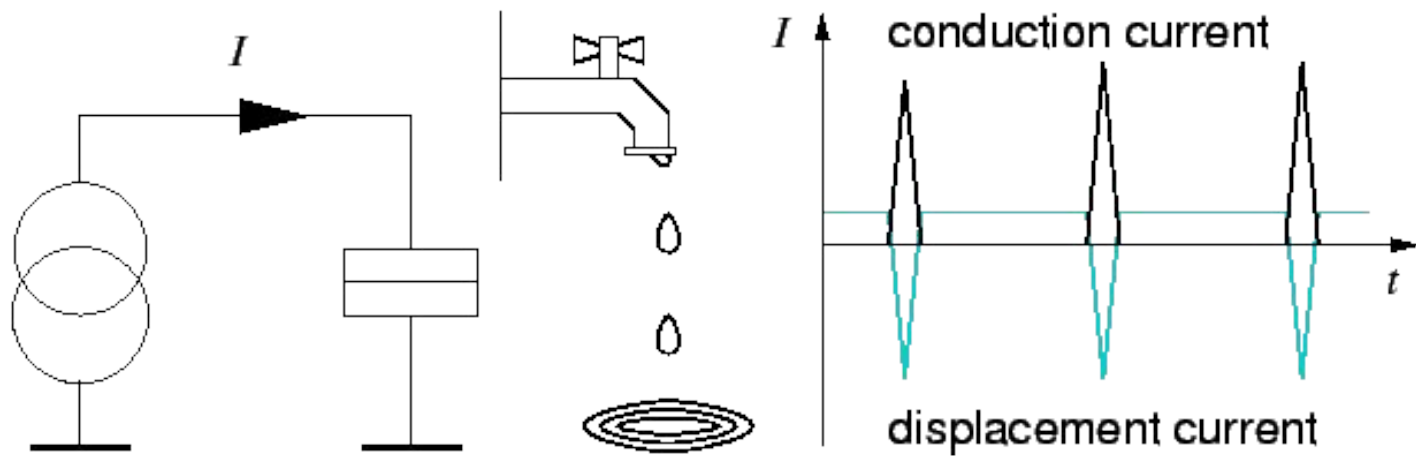
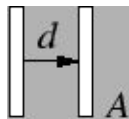


Одноэлектроника

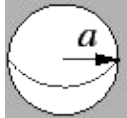






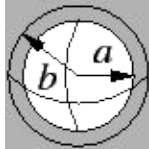
parallel plates

$$C = \frac{\epsilon A}{d}$$



sphere

$$C = 4\pi\epsilon a$$



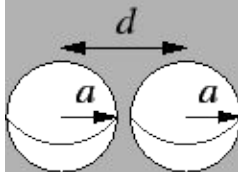
sphere with
dielectric shell

$$C = 4\pi\epsilon \frac{ab}{b - a(1 - \epsilon_r)}$$



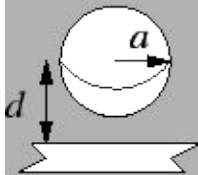
disc

$$C = 8\epsilon a$$



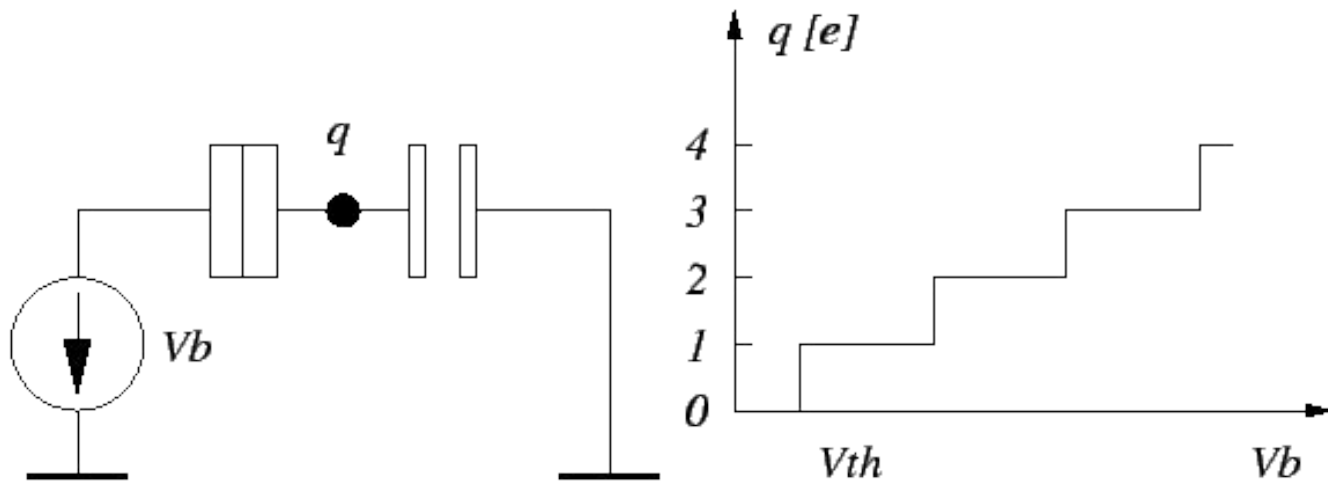
two spheres

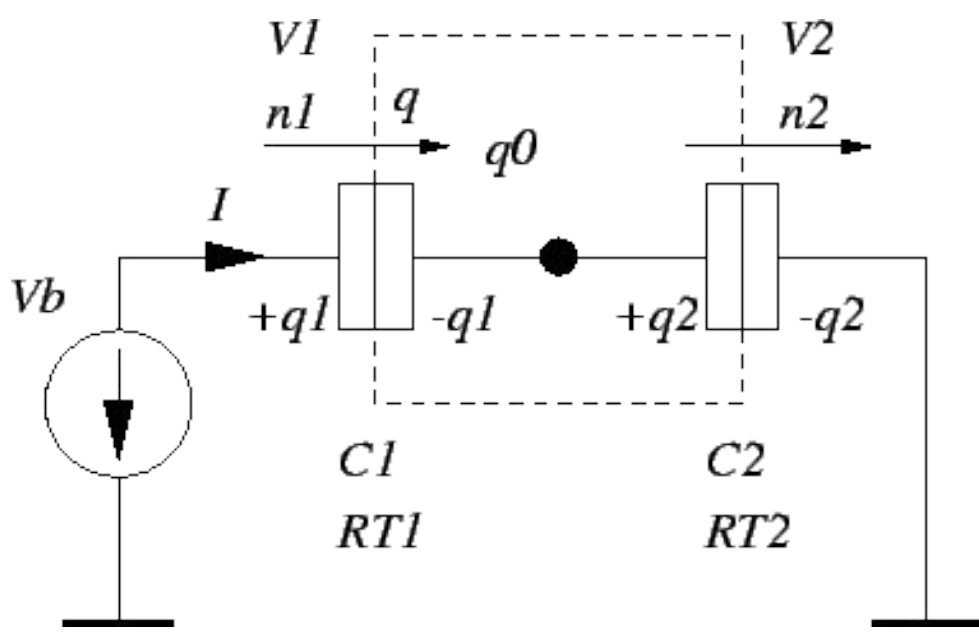
$$C = \pi\epsilon\sqrt{d^2 - 4a^2} \sum_{j=0}^{\infty} \left(\coth \left[\left(j + \frac{1}{2} \right) \operatorname{arccosh} \left(\frac{d}{2a} \right) \right] - 1 \right)$$

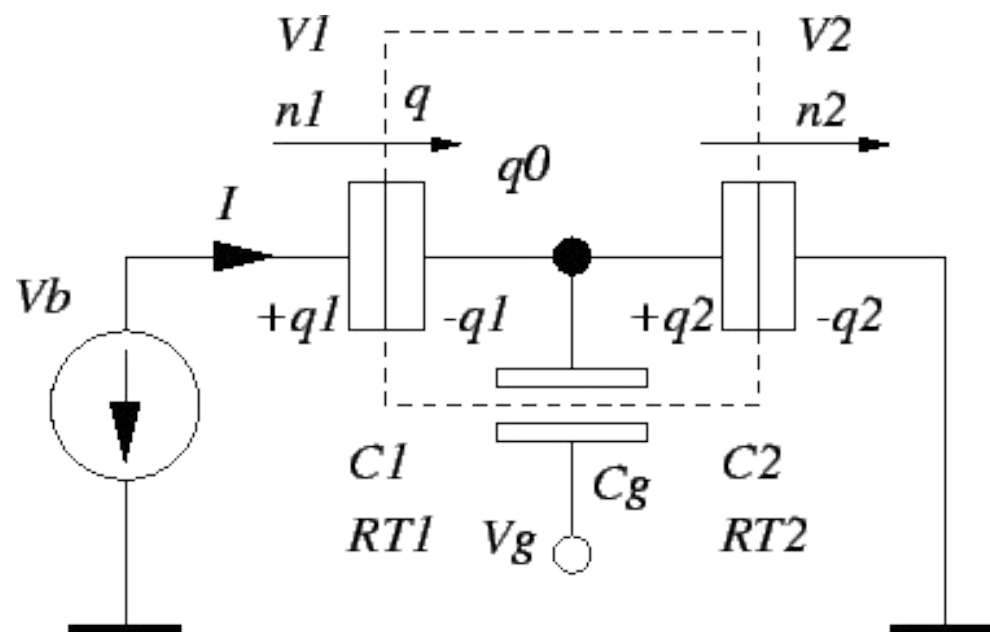


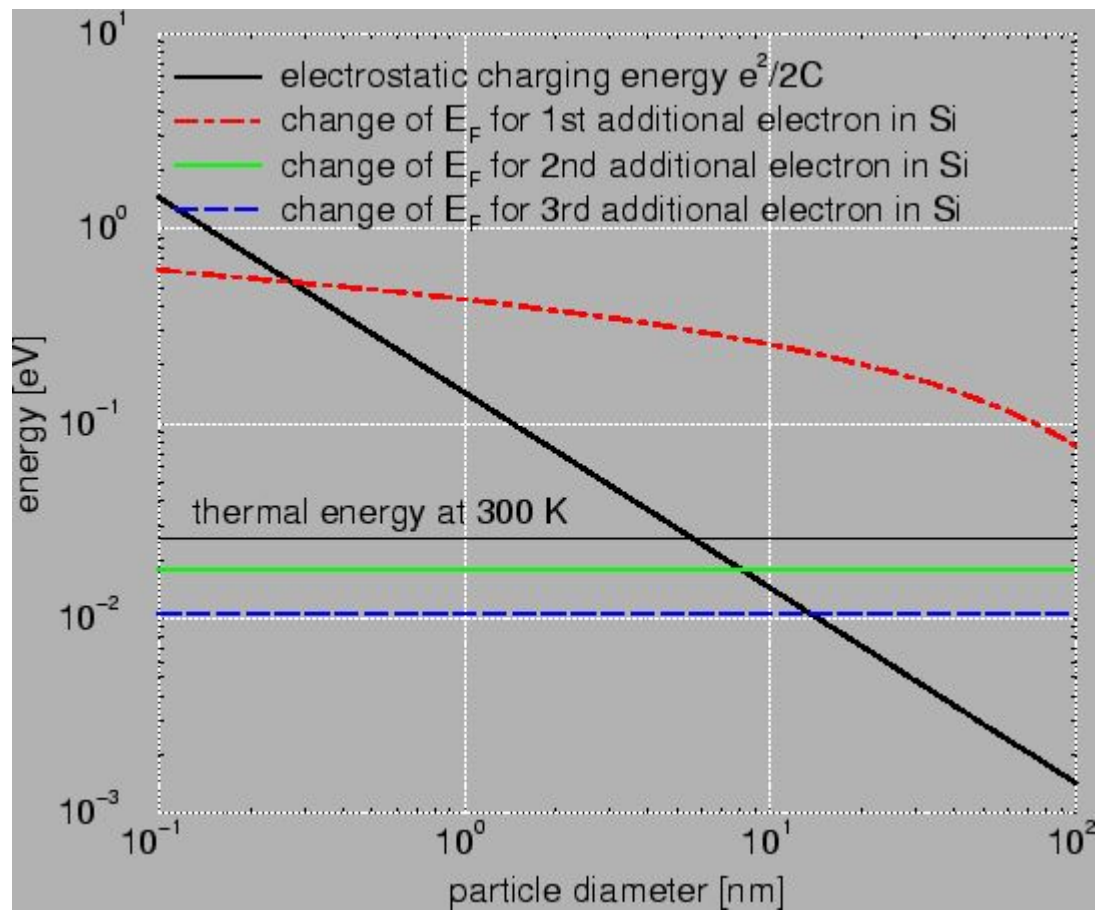
sphere
and plane

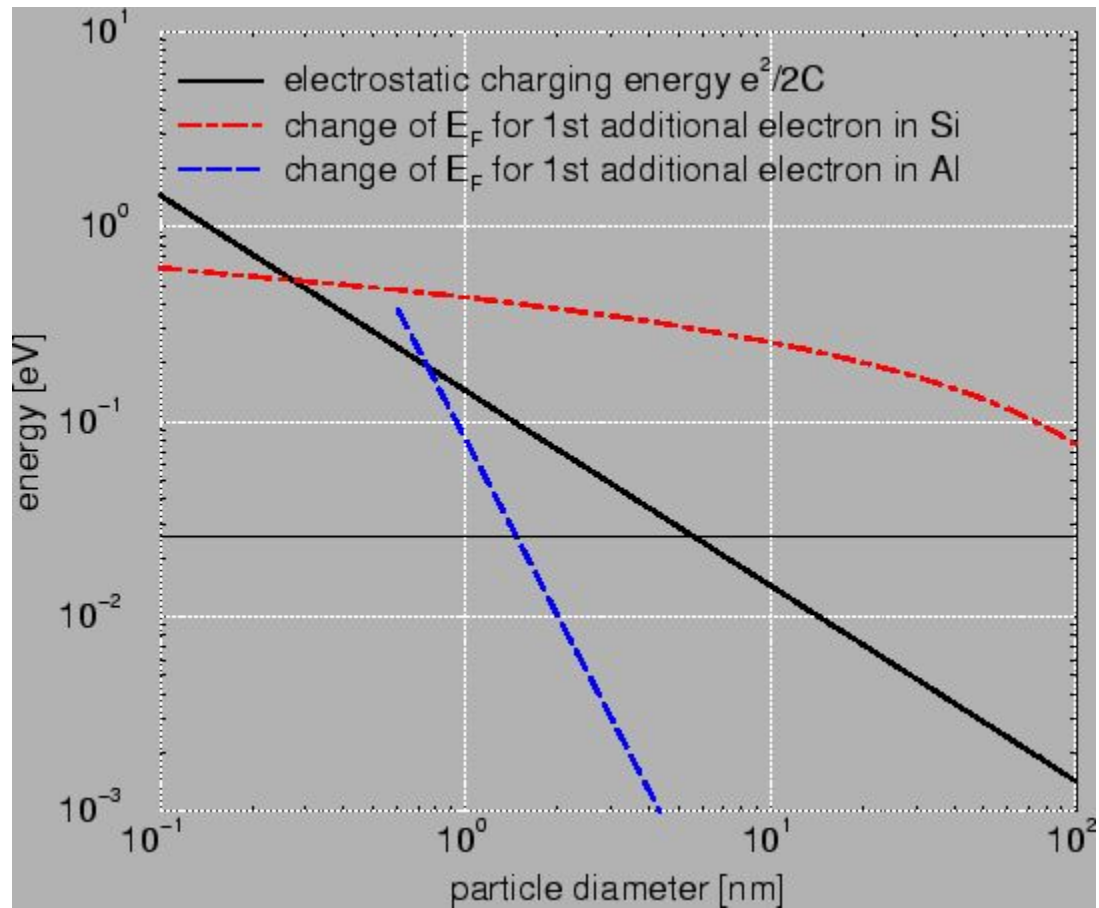
$$C = 2\pi\epsilon\sqrt{d^2 - 4a^2} \sum_{j=0}^{\infty} \left(\coth \left[\left(j + \frac{1}{2} \right) \operatorname{arccosh} \left(\frac{d}{2a} \right) \right] - 1 \right)$$

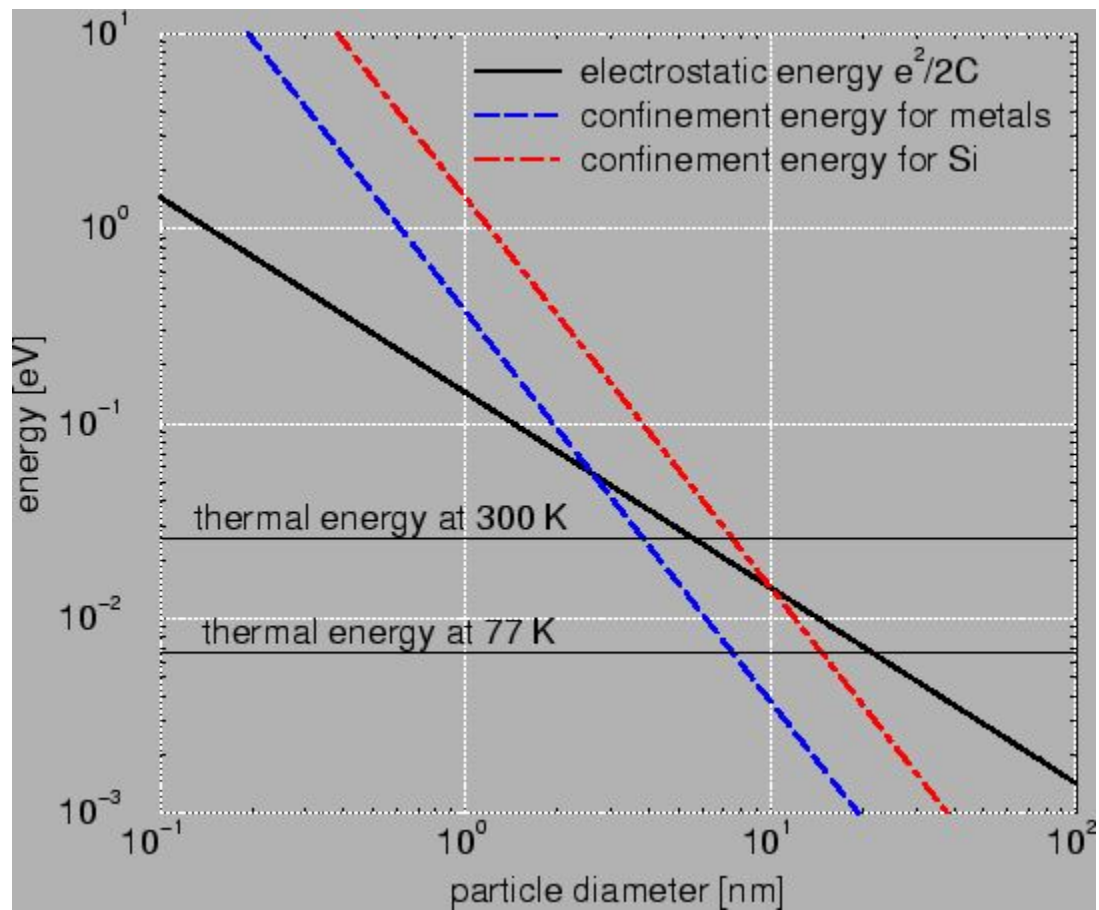


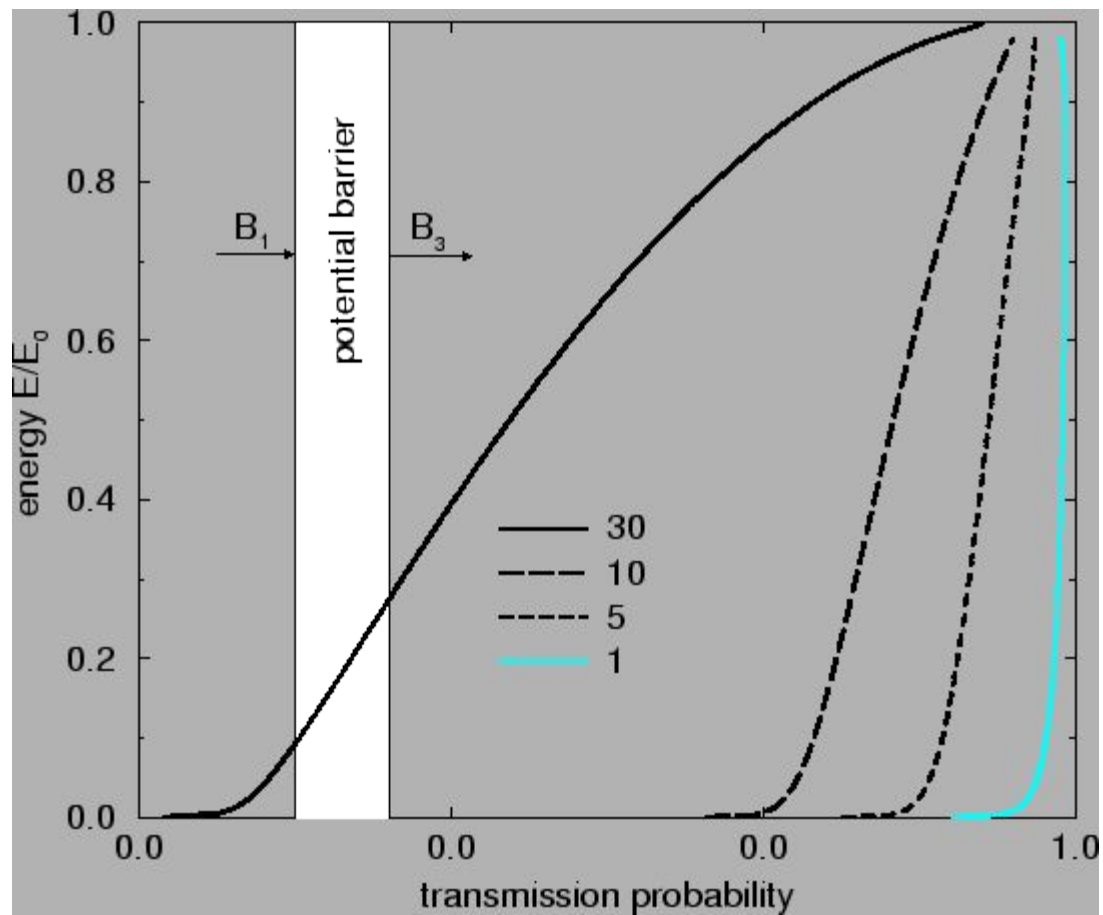


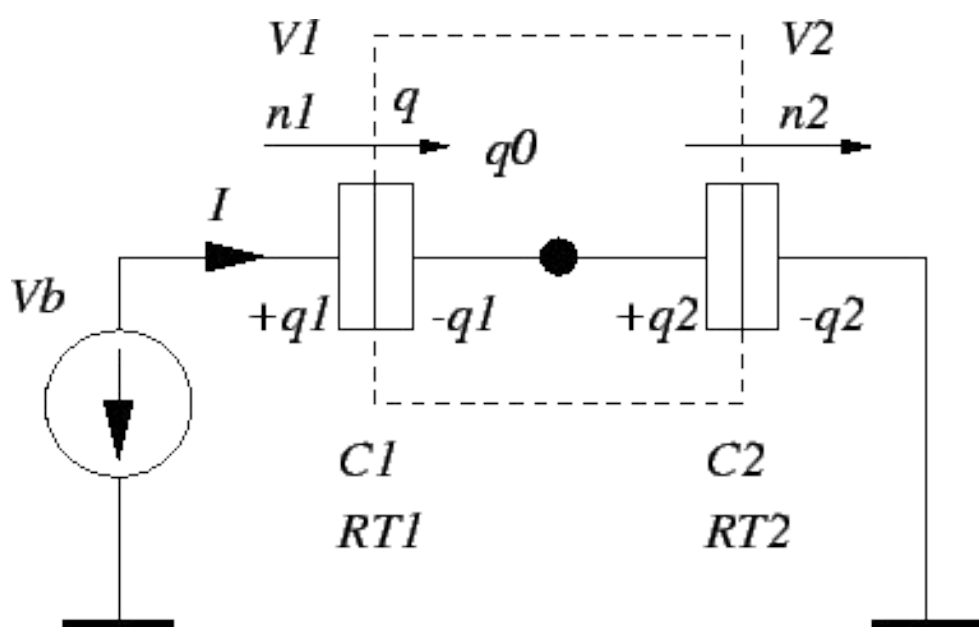


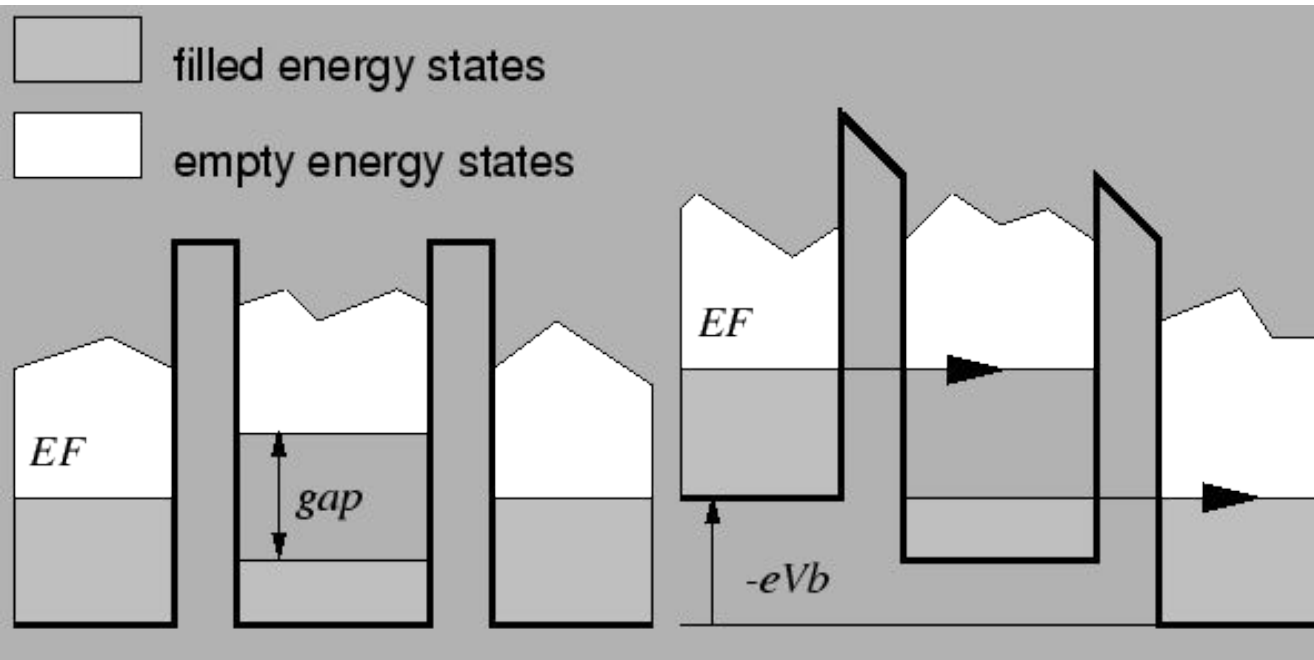


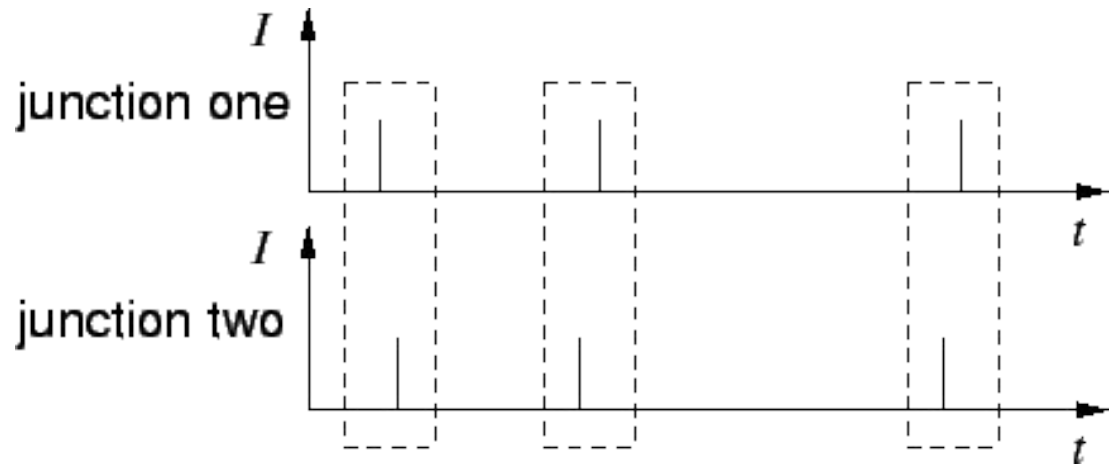
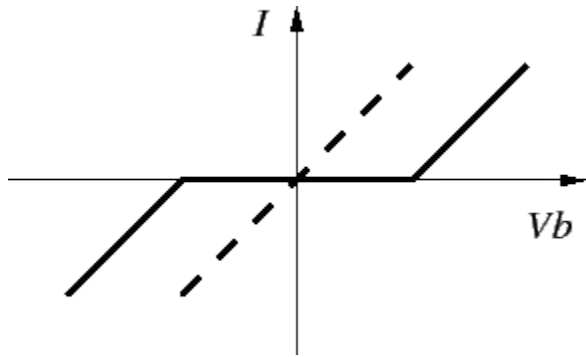


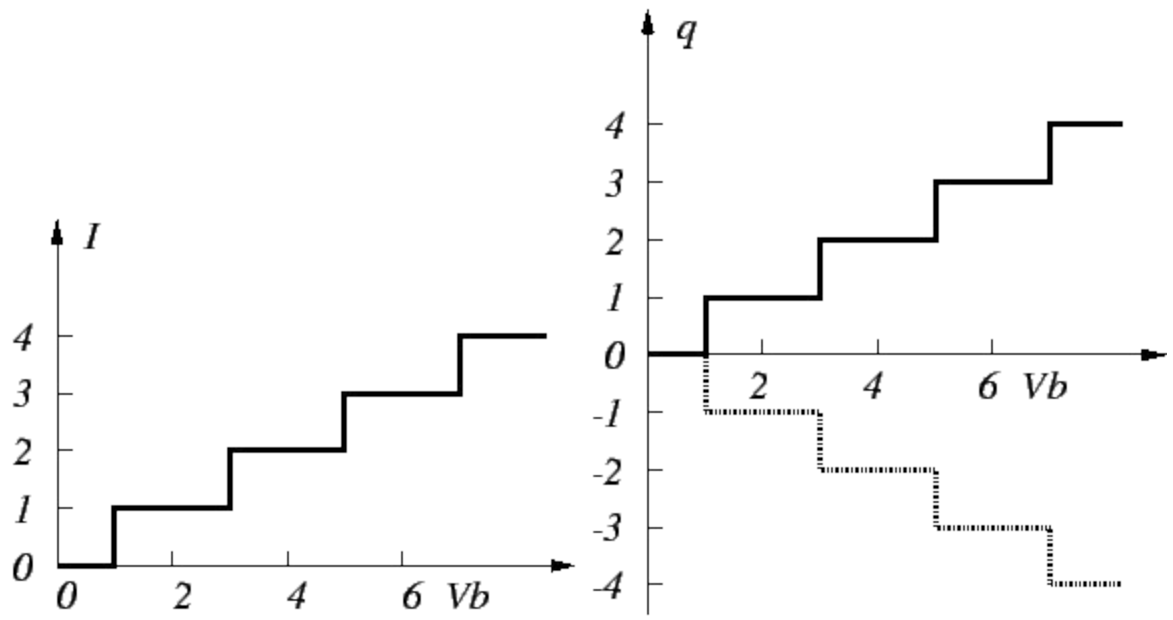


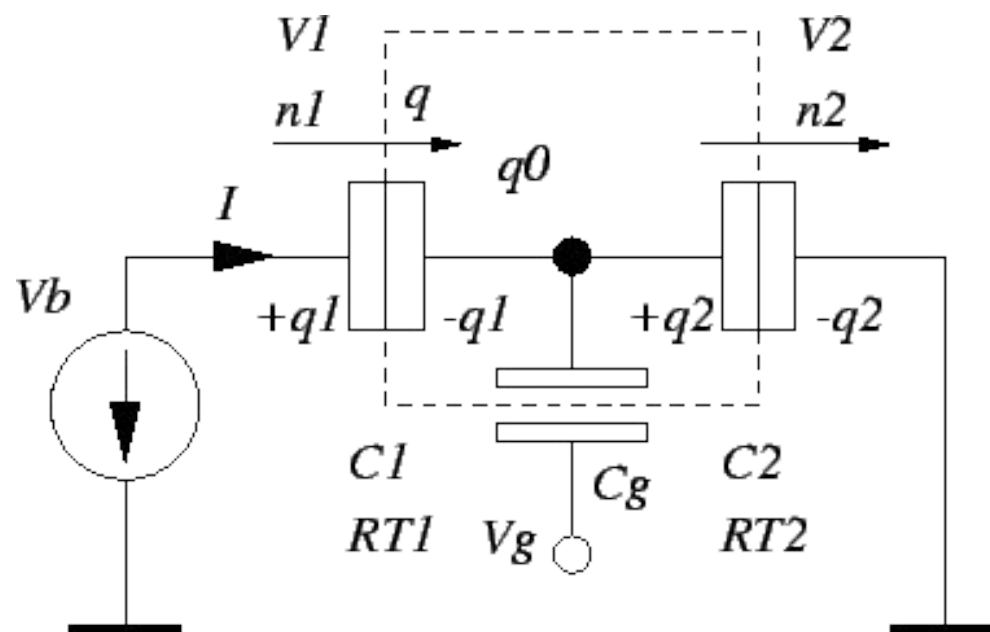


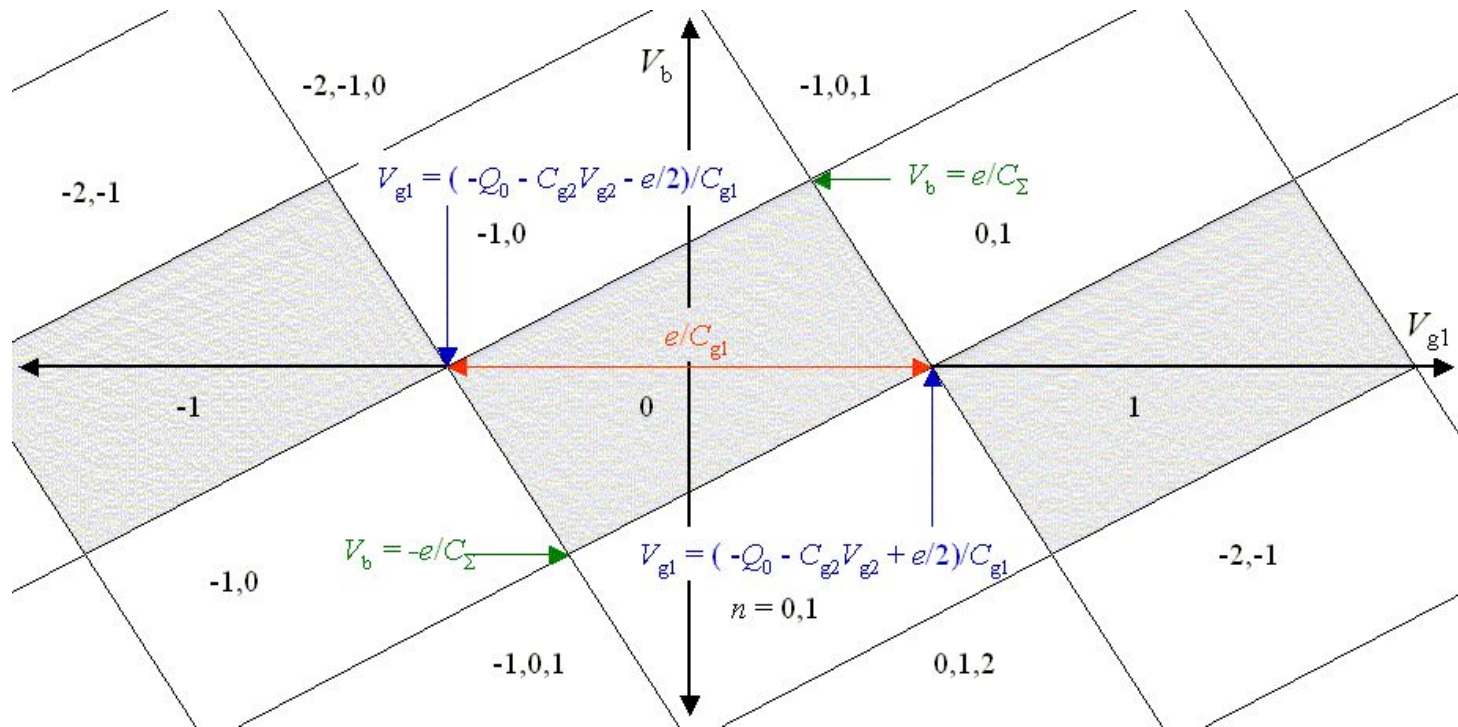


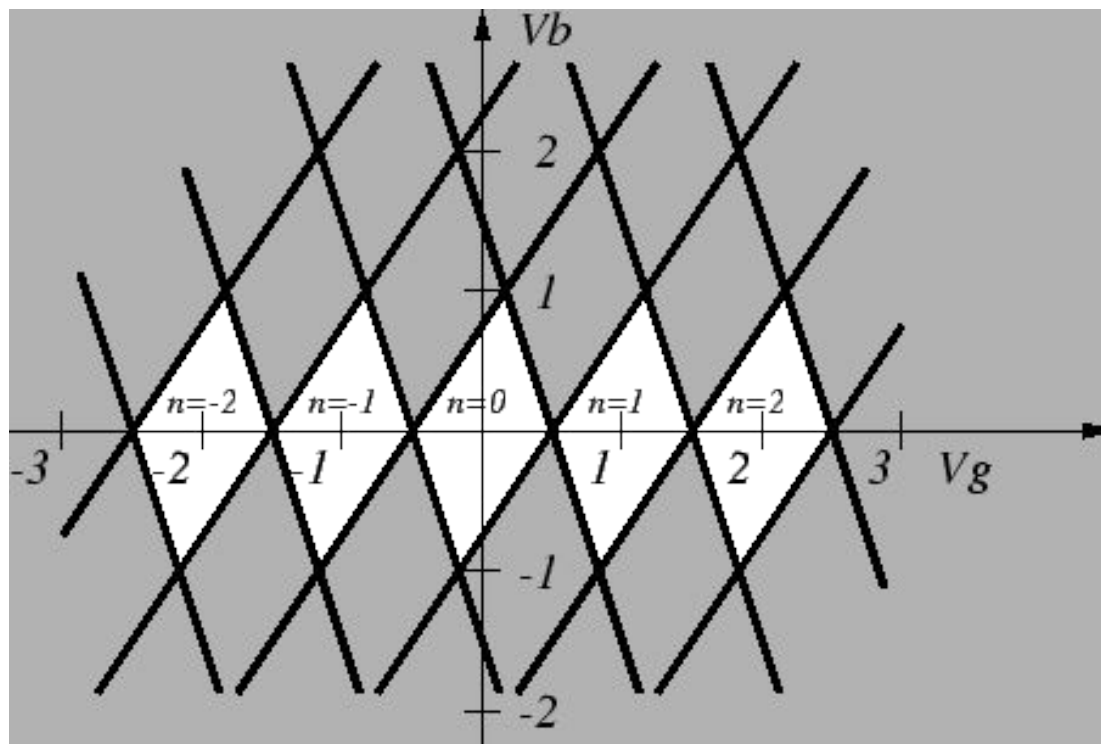












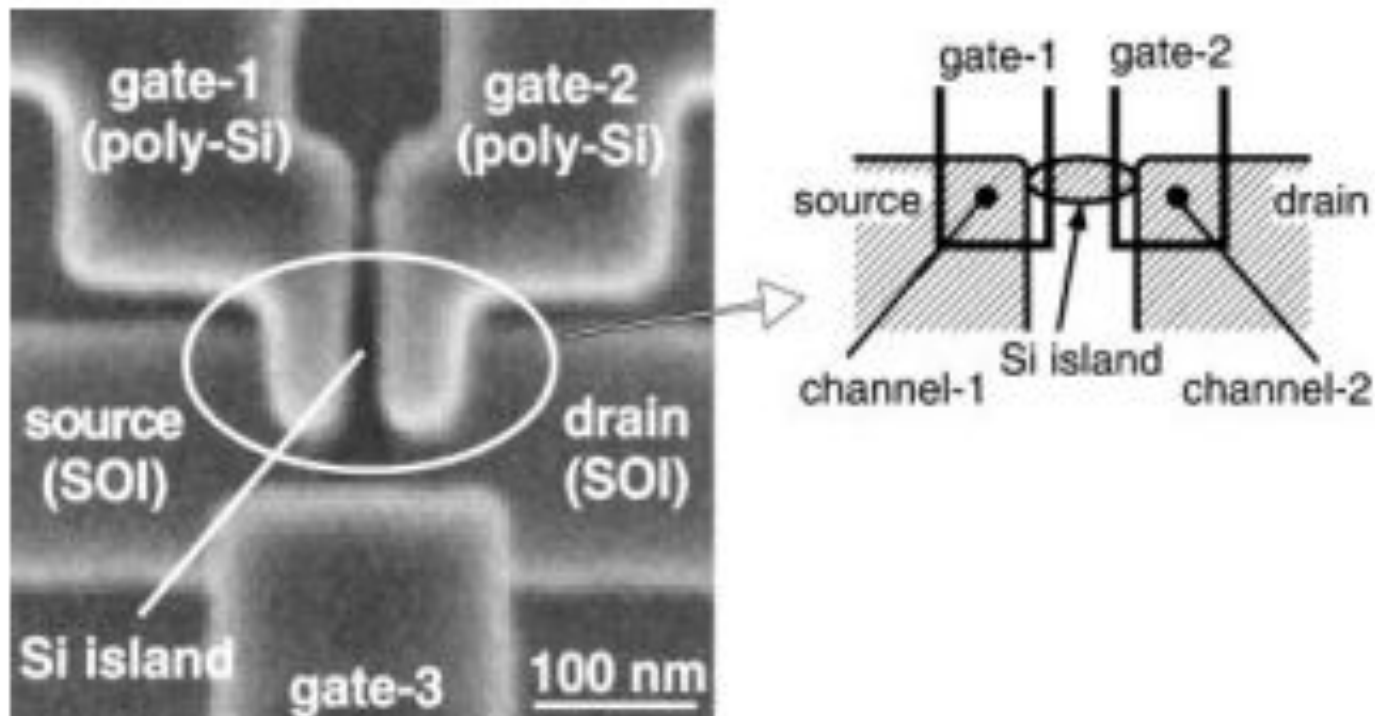
Turnstile Operation Using a Silicon Dual-Gate Single-Electron Transistor

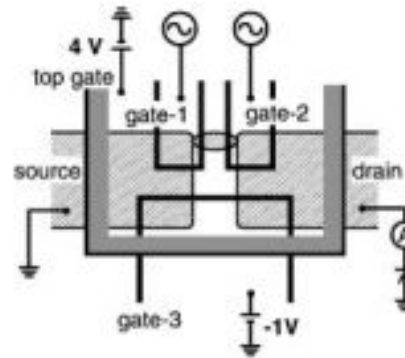
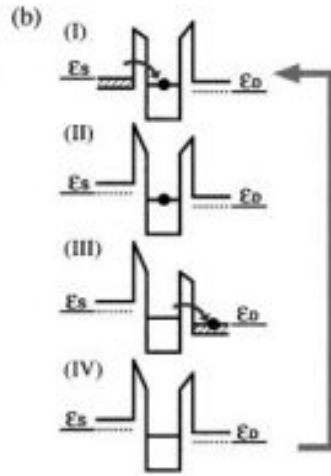
Yukinori ONO*, Neil M. ZIMMERMAN¹, Kenji YAMAZAKI and Yasuo TAKAHASHI

NTT Basic Research Laboratories, NTT Corporation, 3-1 Morinosato Wakamiya, Atsugi, Kanagawa 243-0198, Japan

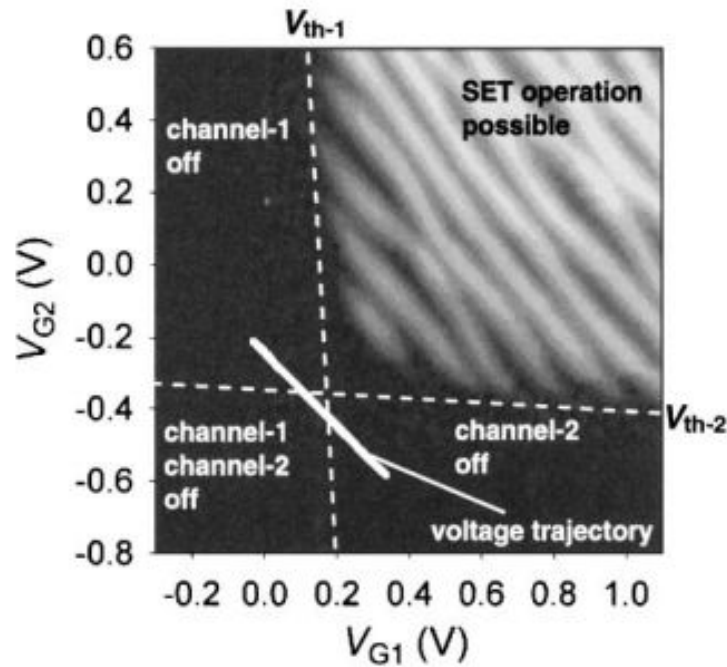
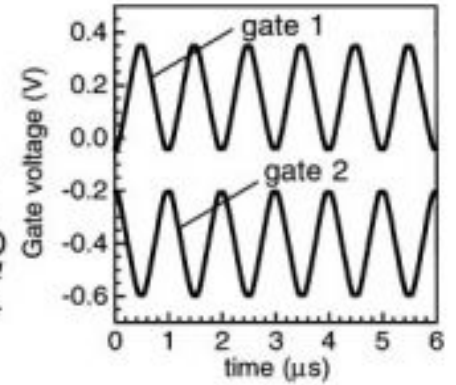
¹*National Institute of Standards and Technology, Gaithersburg, Maryland 20899, U.S.A.*

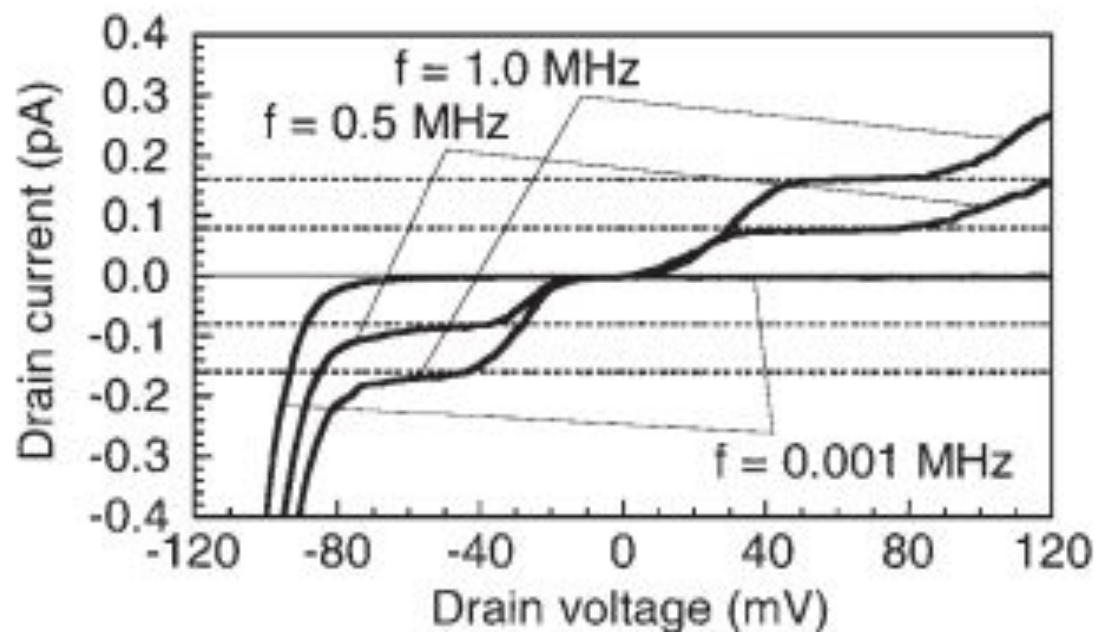
(Received June 3, 2003; accepted August 9, 2003; published September 25, 2003)



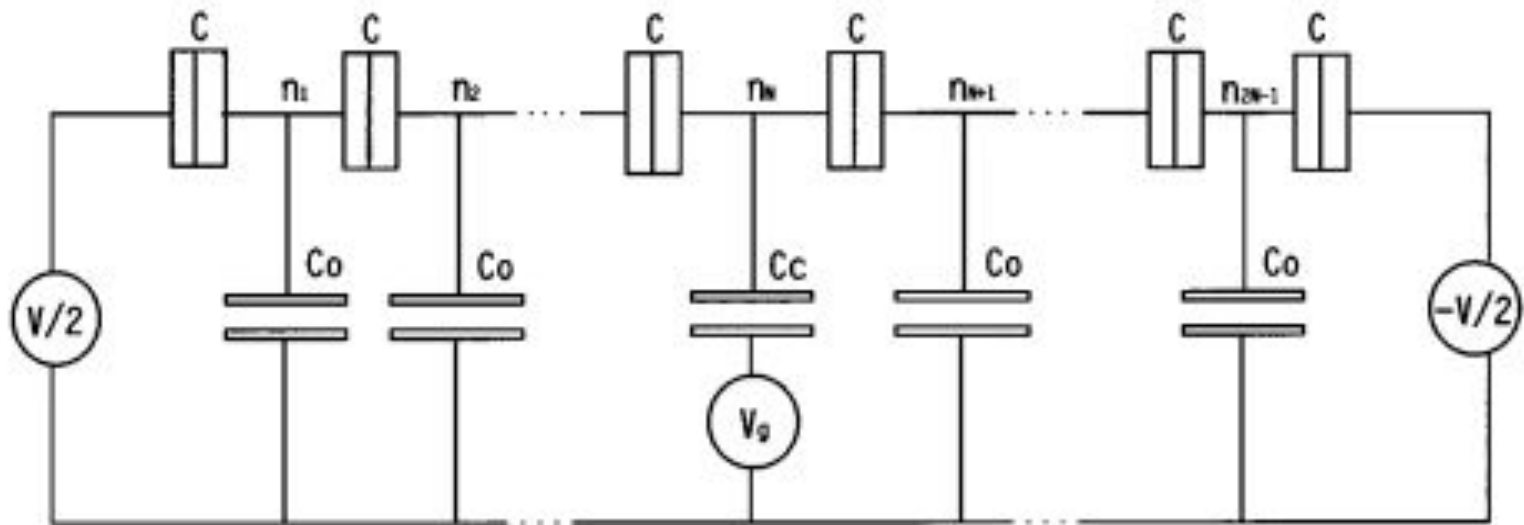


Y. ONO *et al.*

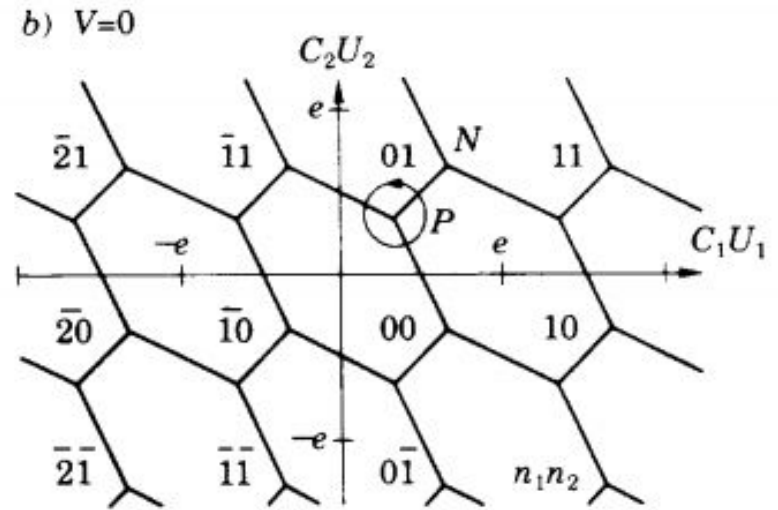
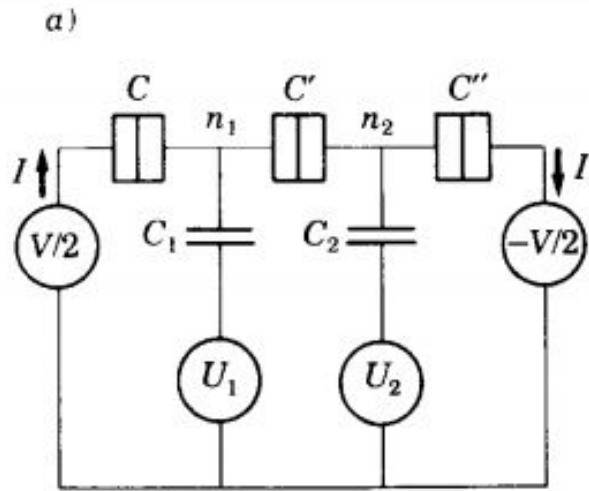




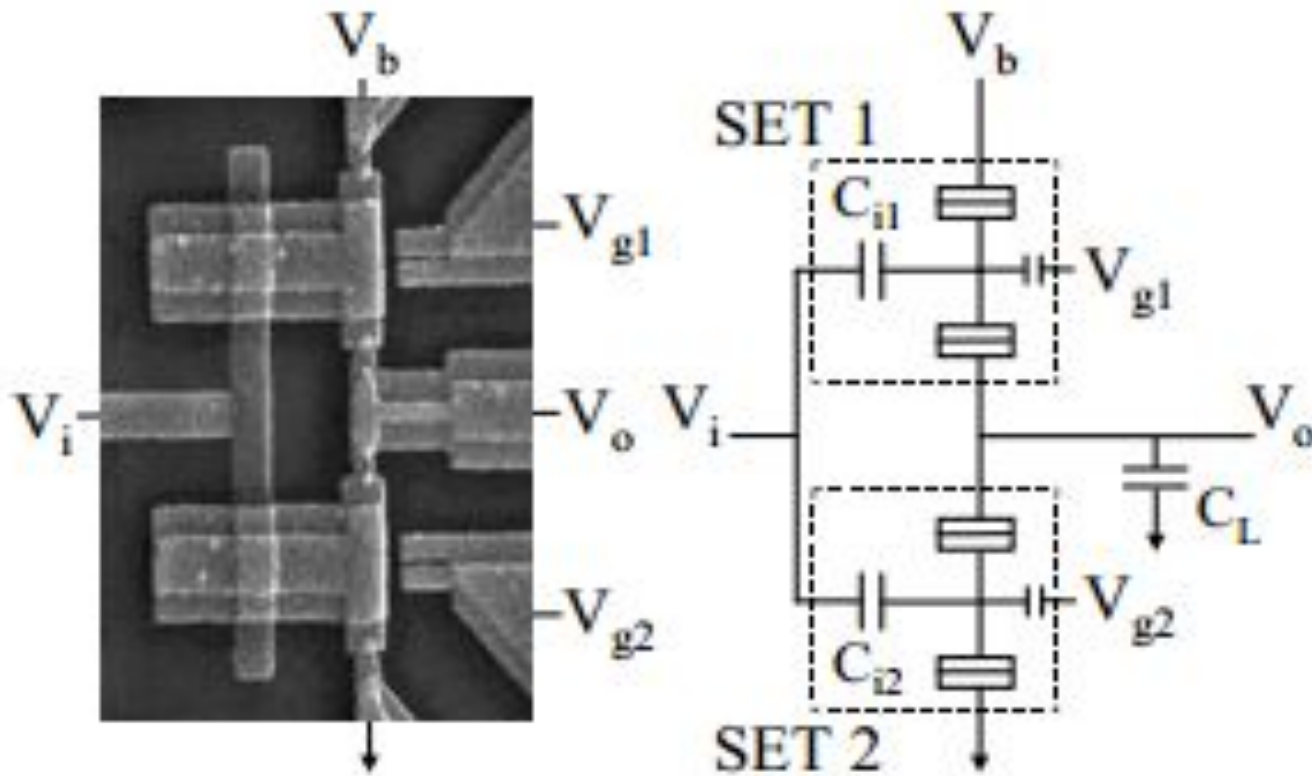
Single-electron turnstile



Single-electron pump



SET inverter



CMOL circuits

