

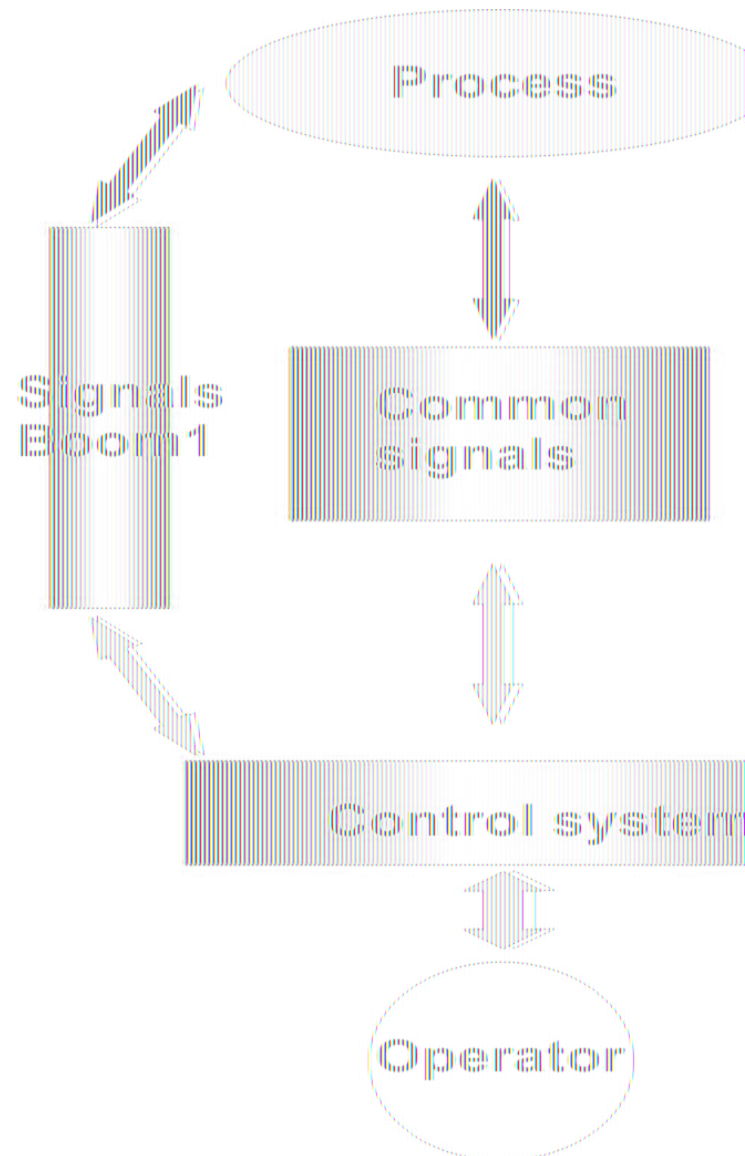
Input & Output signals



Exercise

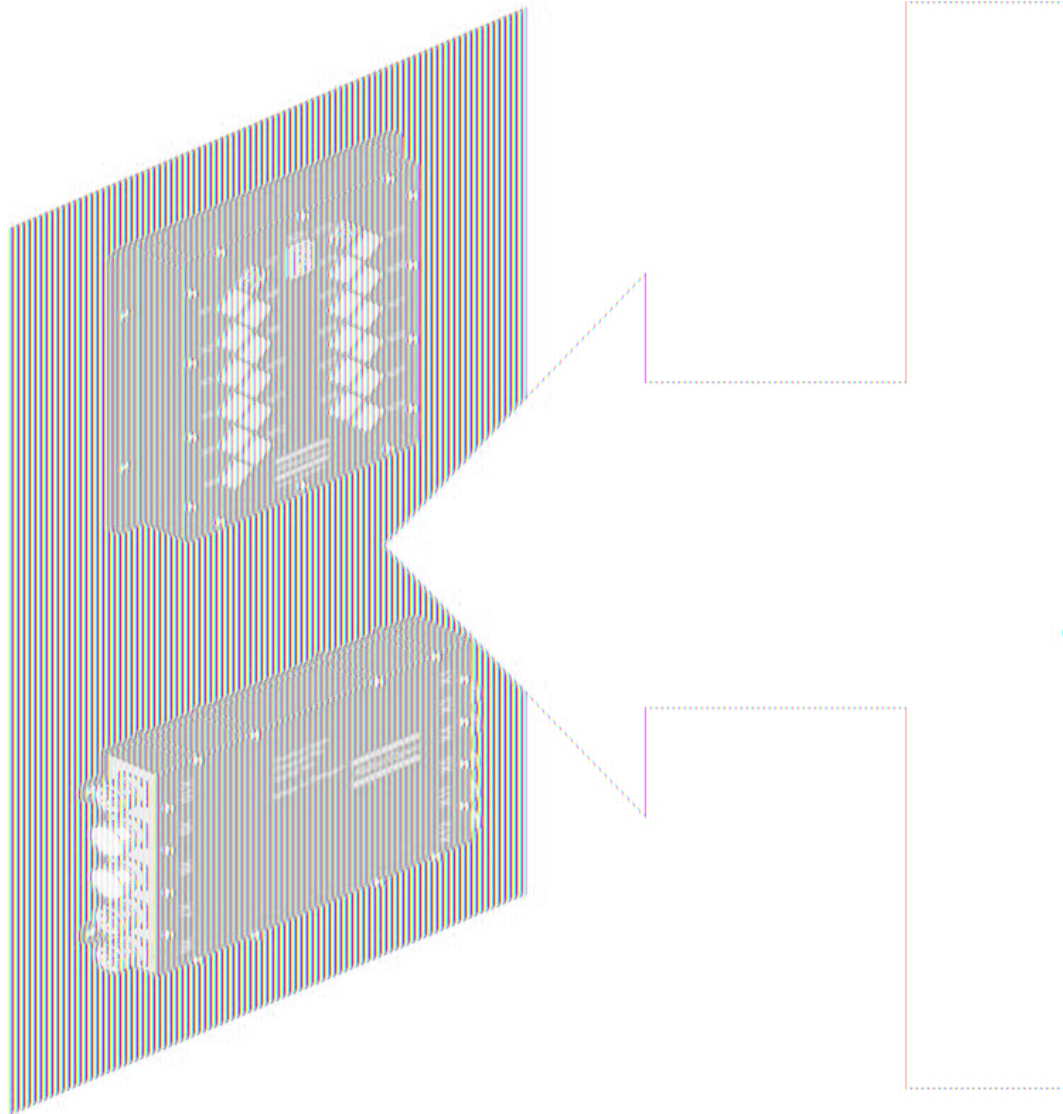
Input & output signals

Process control



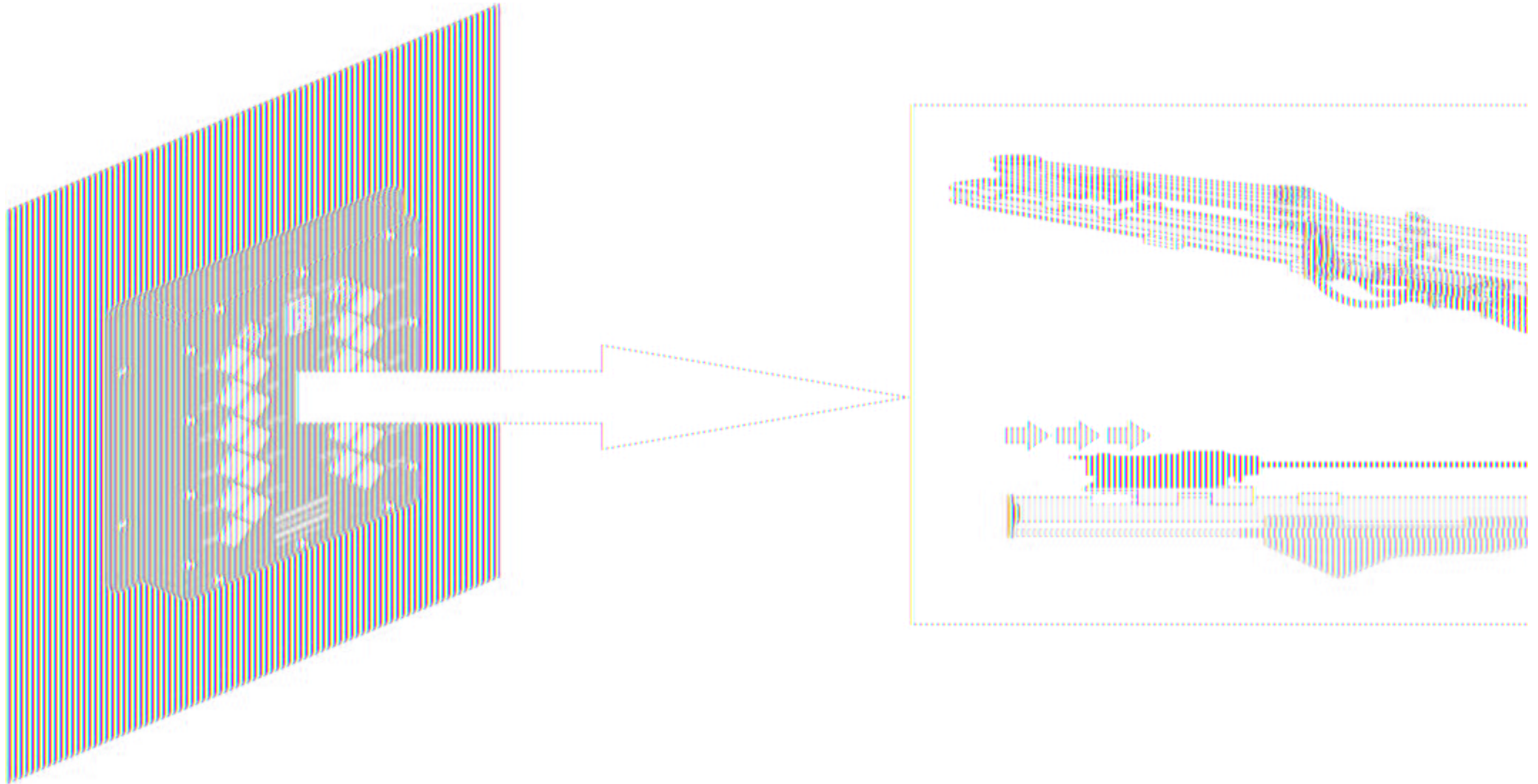
Input & output signals

Input signals



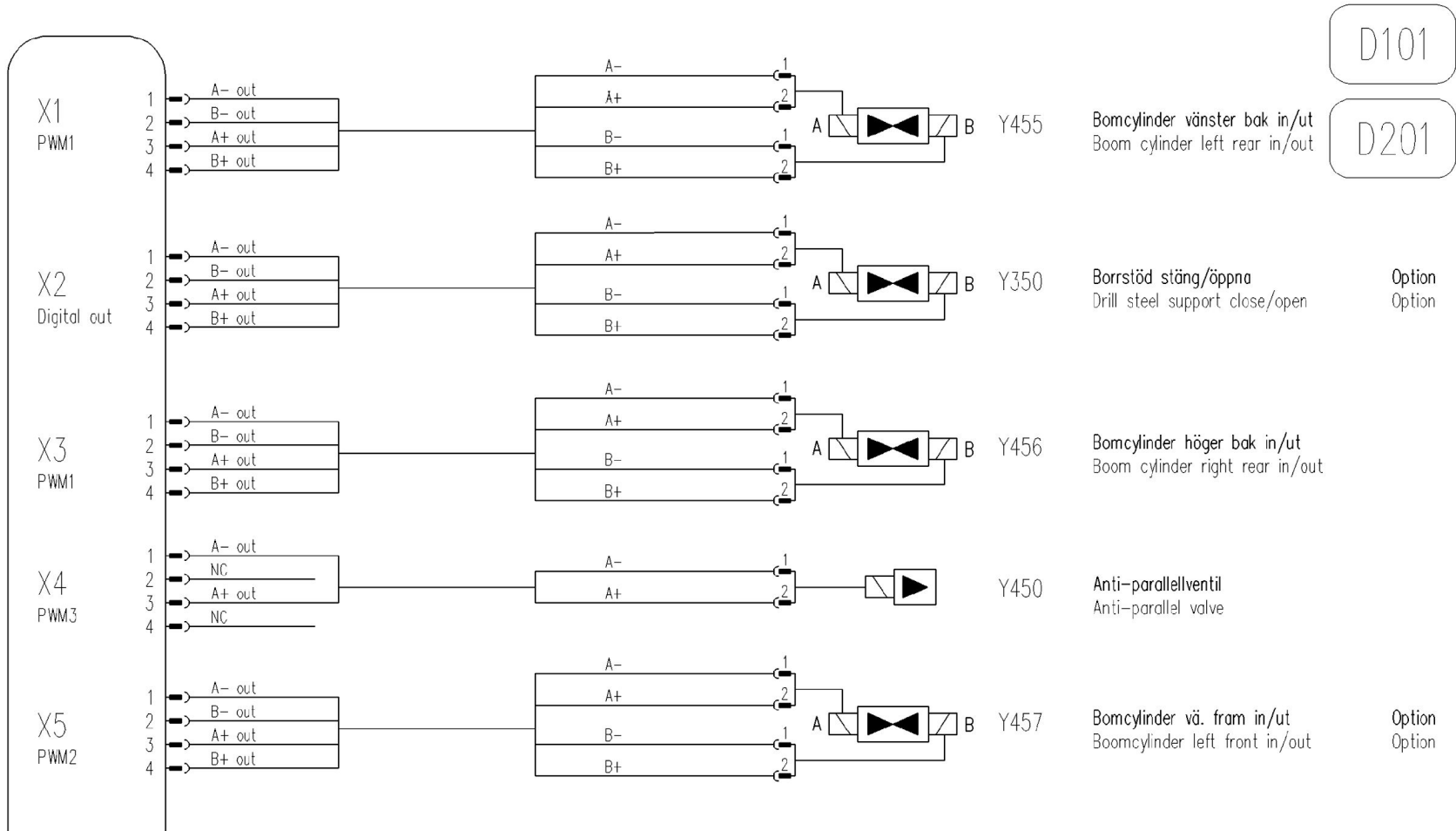
Input & output signals

Output signals



Input & output signals

Signal drawing



D101

D201

Option
Option

Option
Option

Exercise

- Overleaf is the beginning of a signal list. Your task is to complete the list with the signals given below. This is what to do: fill in a number of columns using the lists and diagrams in the maintenance instructions.

| <i>Colum n</i> | <i>Fill in</i> |
|--------------------|--|
| Contac t | fill in (e.g. X8) |
| Signal type | Fill in (e.g. PWM, Ain) |
| Signal des. | Write the designation of each respective signal in the diagram (e.g. B143, S133, Y456a, etc.). |
| Descrip tion | Given, see table below. |
| Module | The module the signal is coming from or going to (e.g. D510). |

**We are committed to your
superior productivity through
interaction and innovation.**



Atlas Copco

