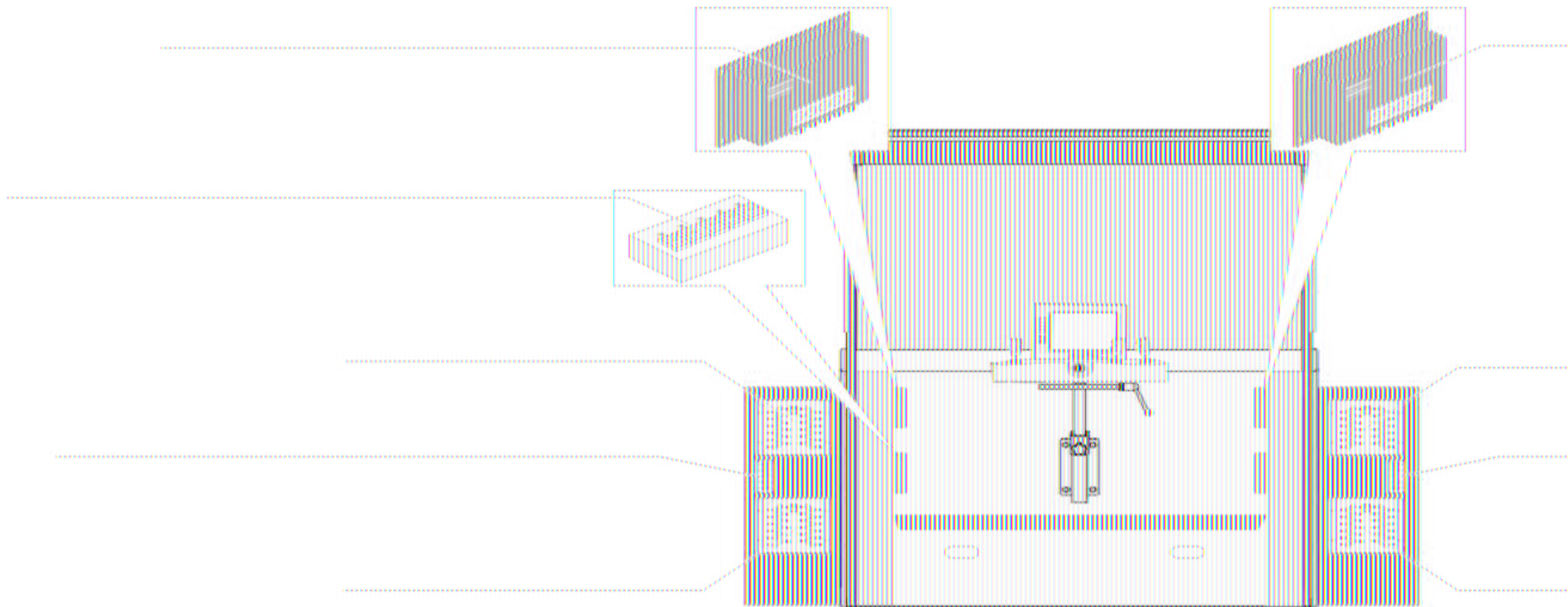


# RCS Component location

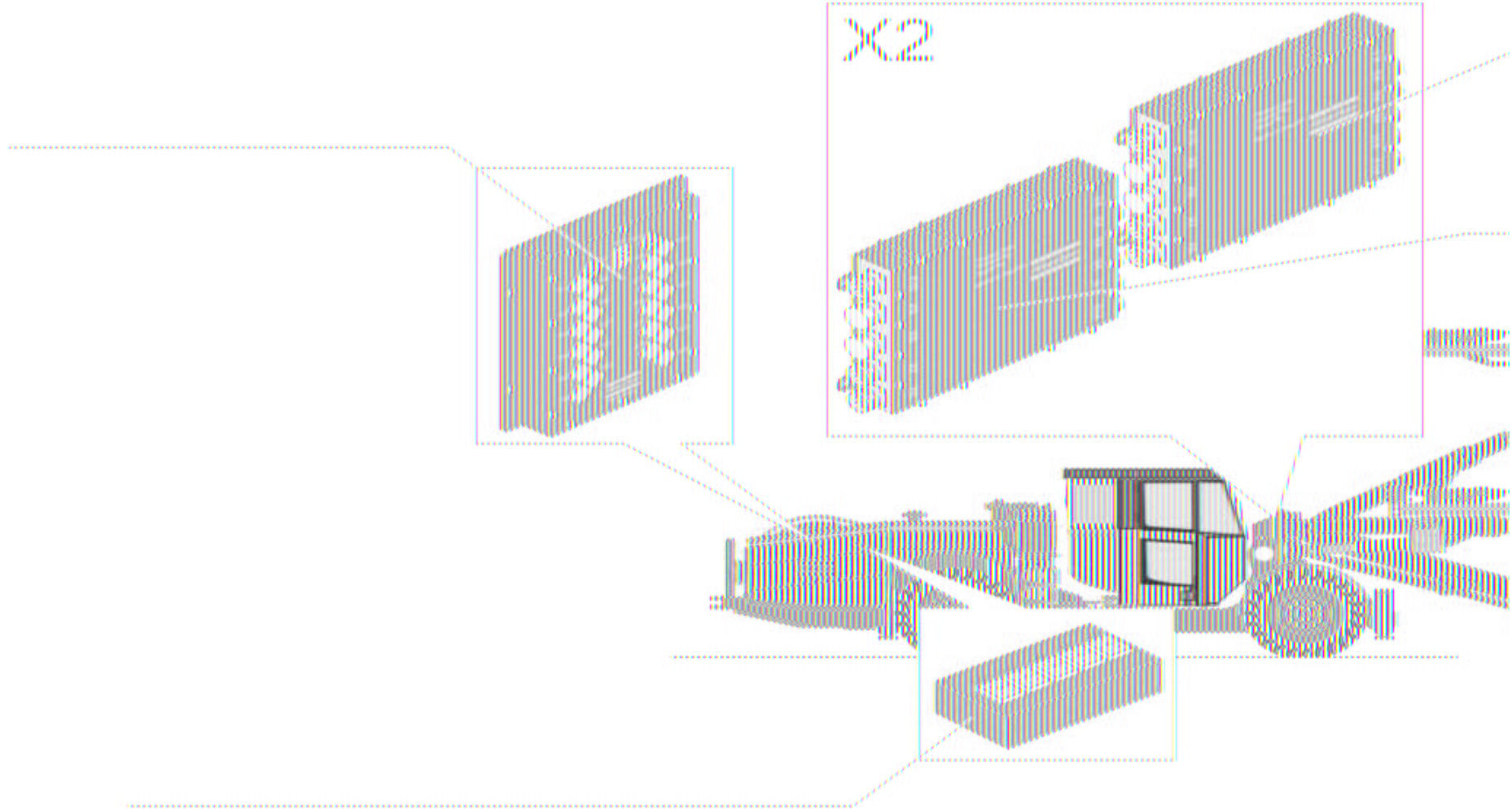


Exercise - Boomer

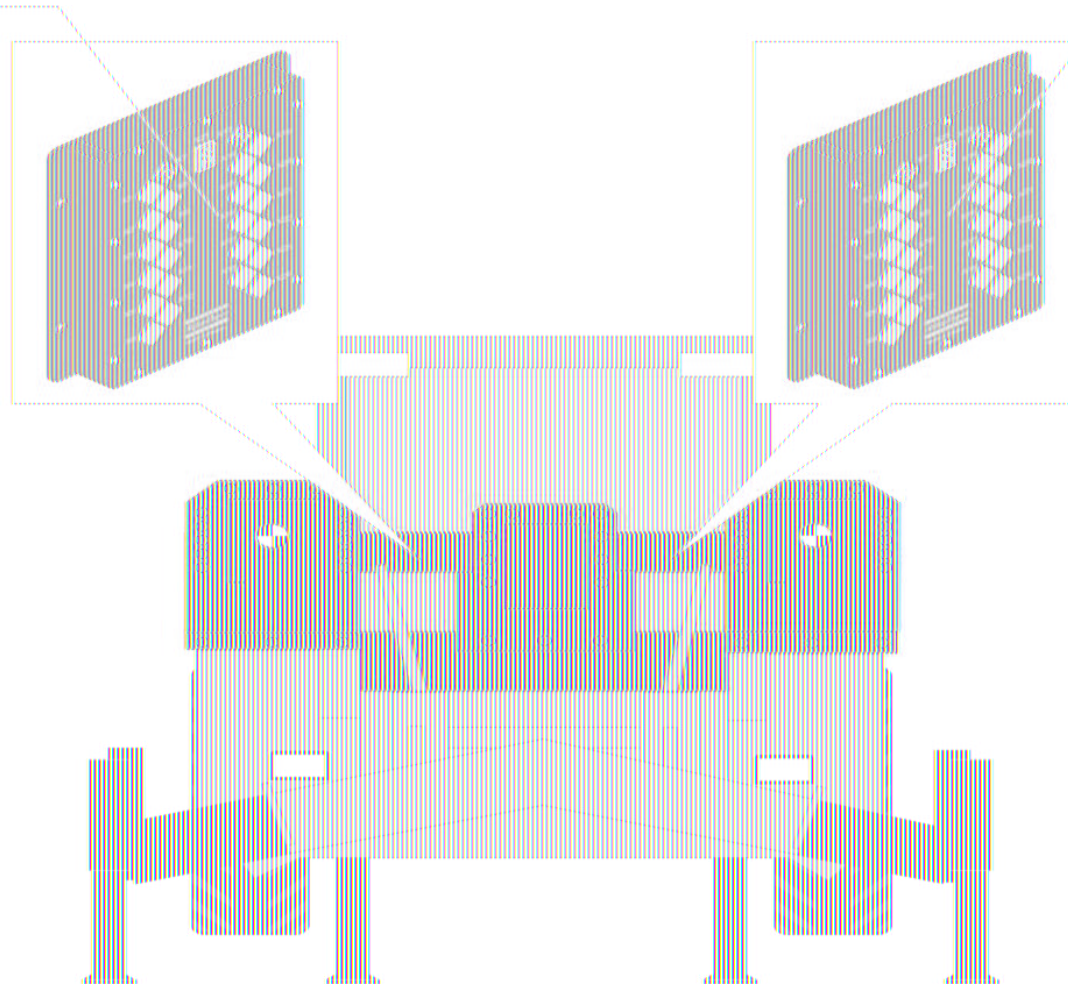
# CANBUS Component location



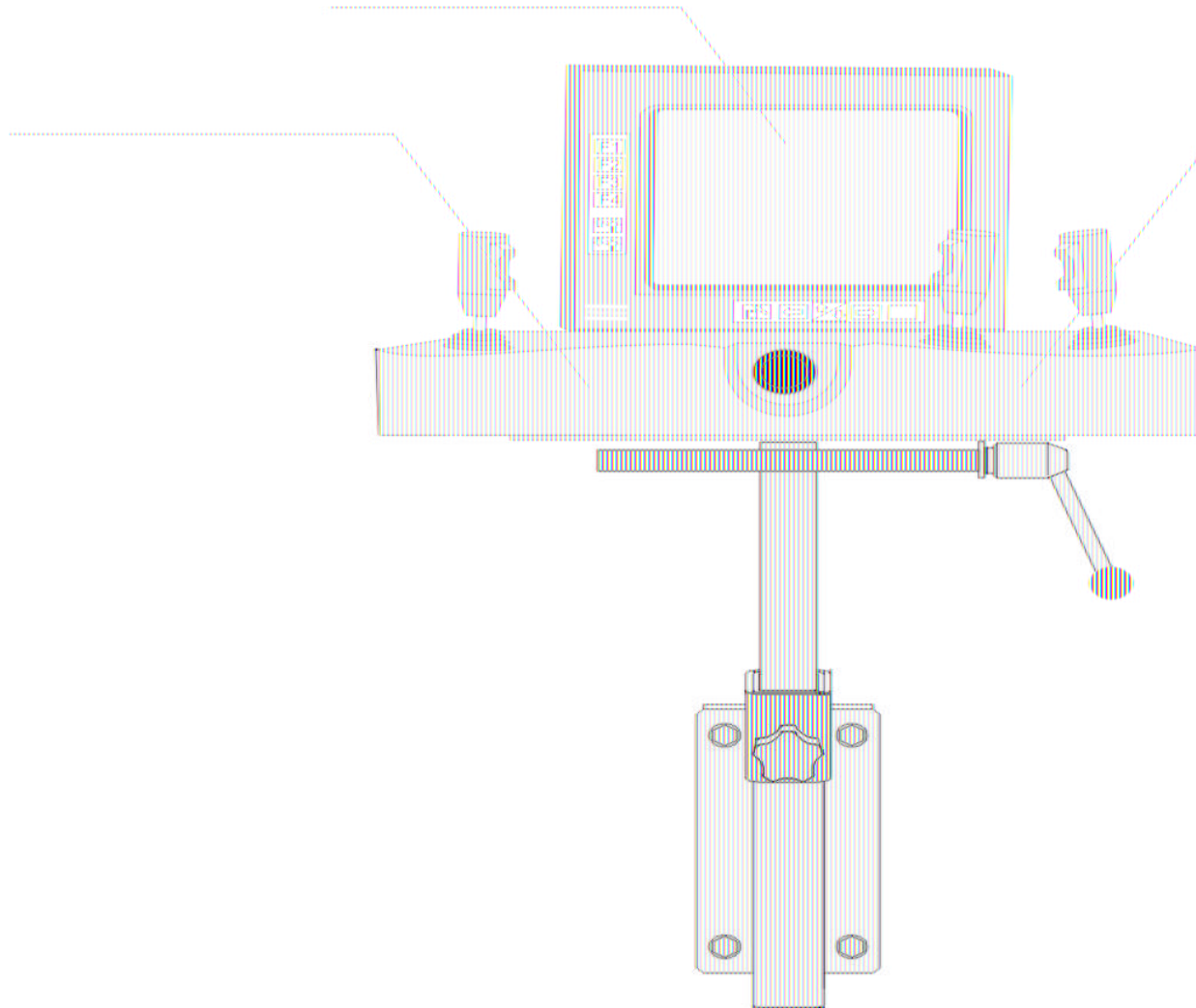
# CANBUS Component location



# CANBUS Component location

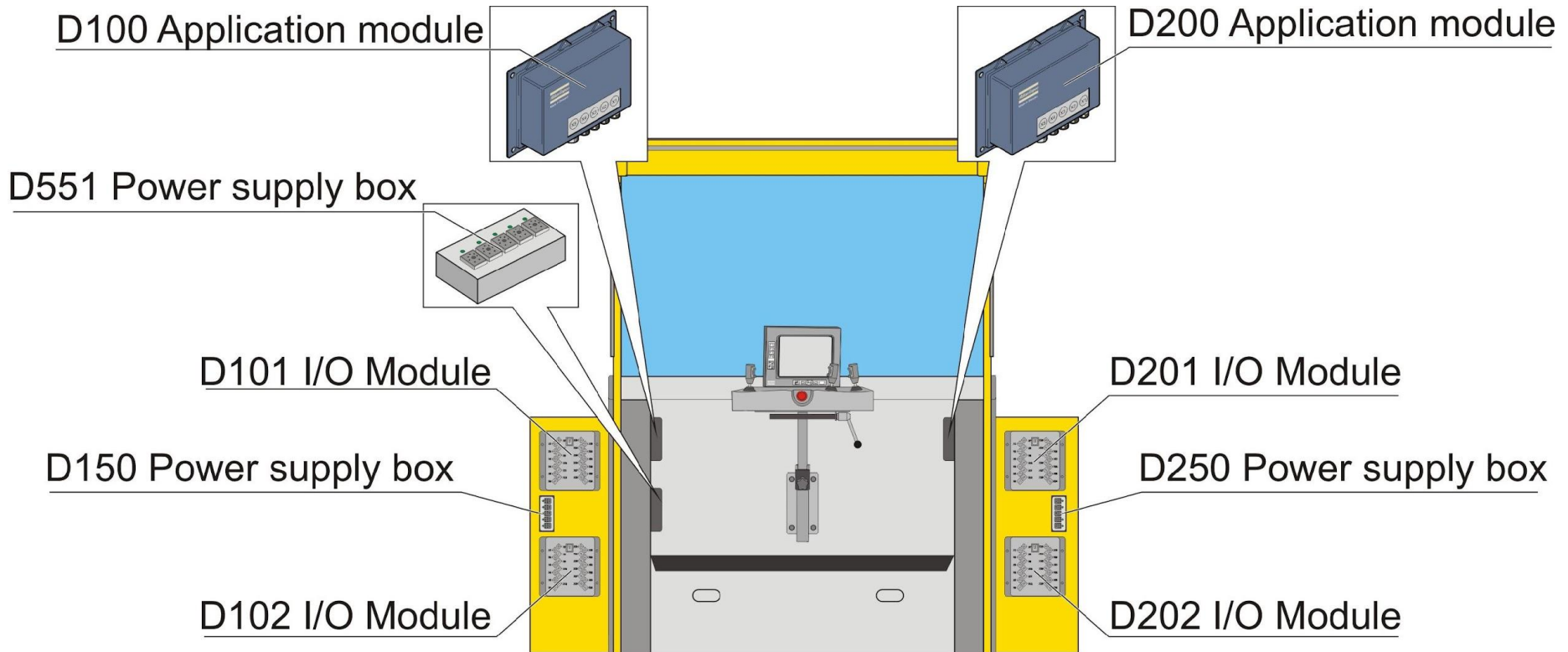


# CANBUS Component location

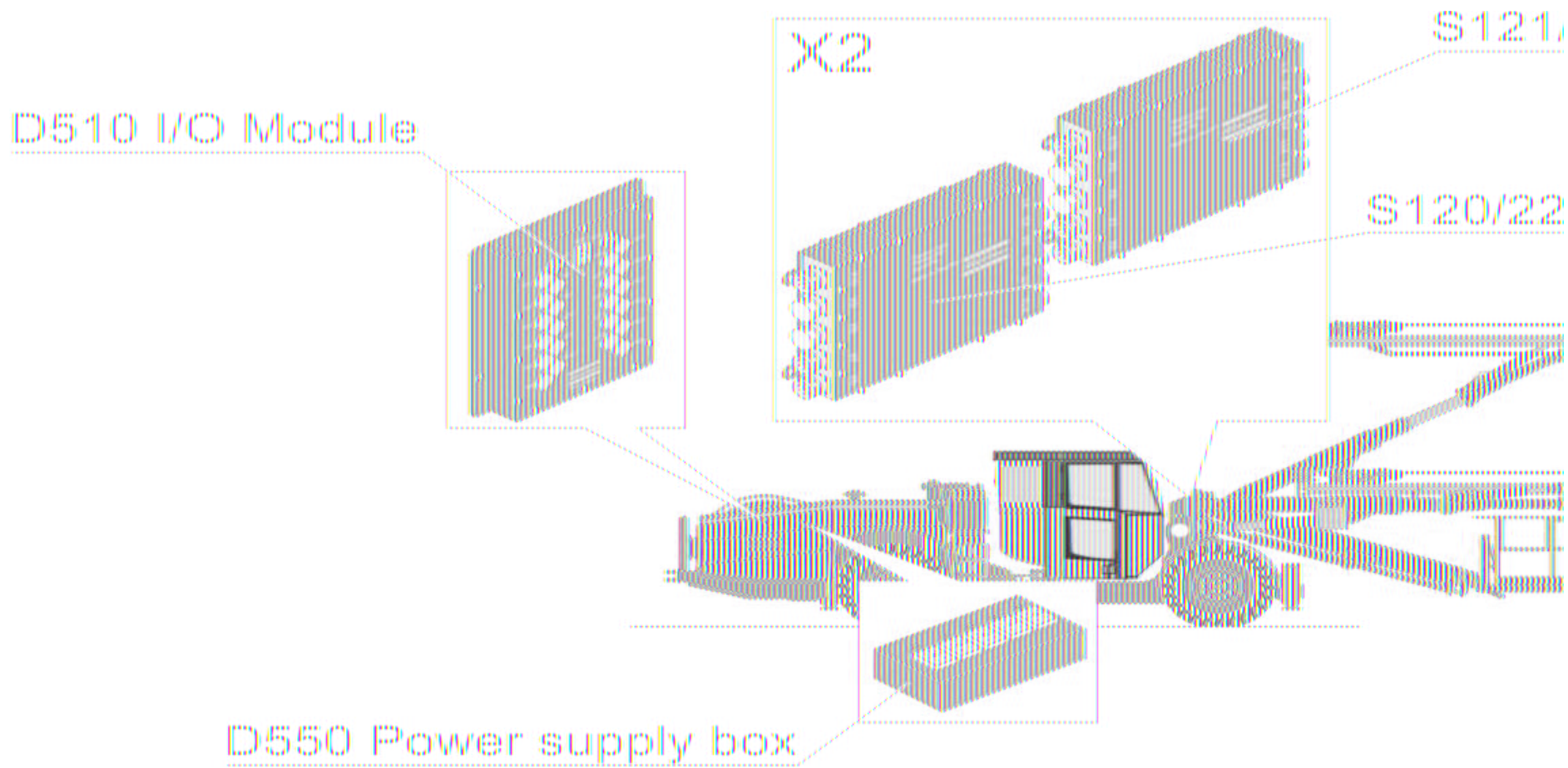


# Correct Answers

# CANBUS Component location



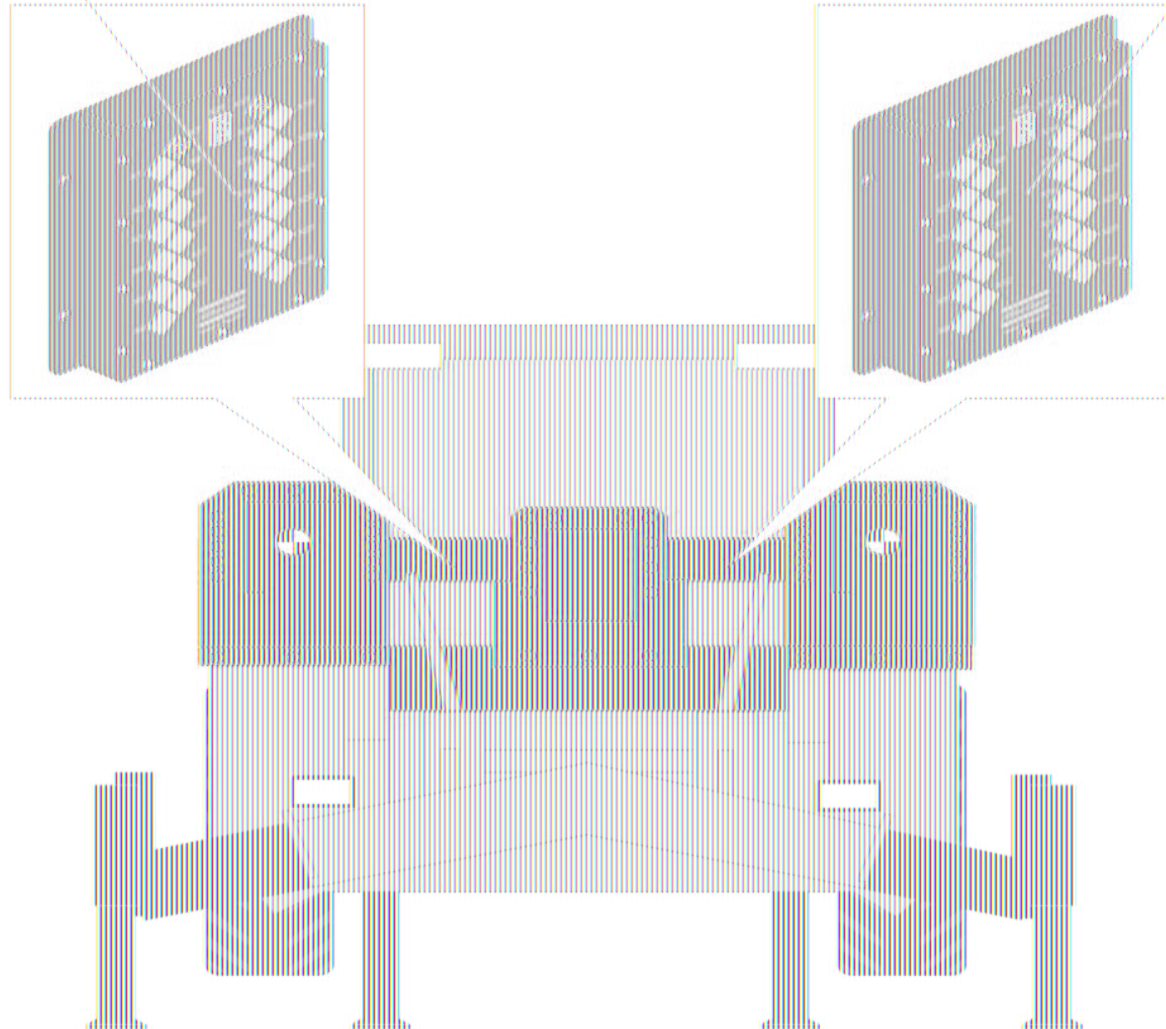
# CANBUS Component location



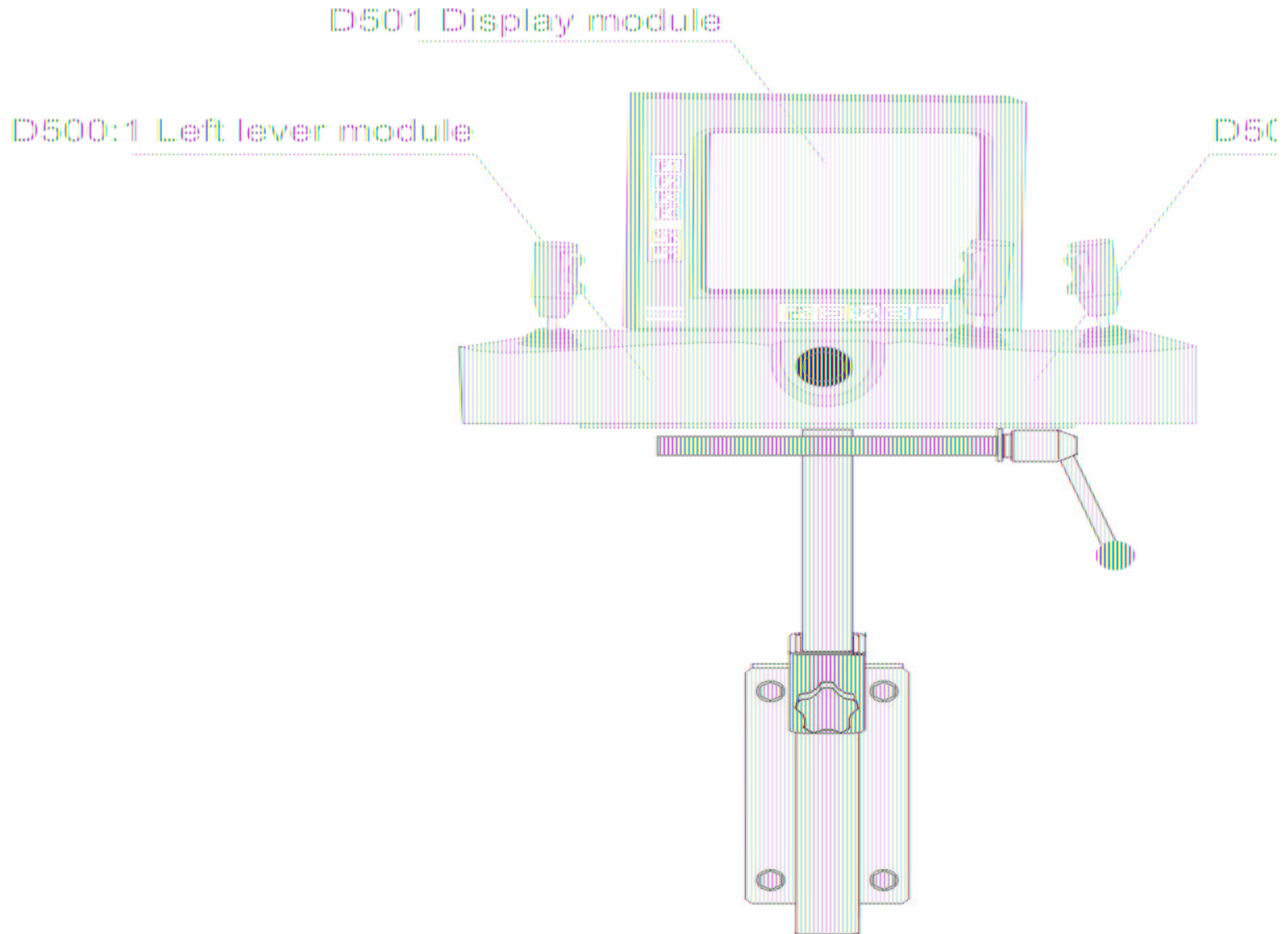


# CANBUS Component location

D203 I/O Module



# CANBUS Component location

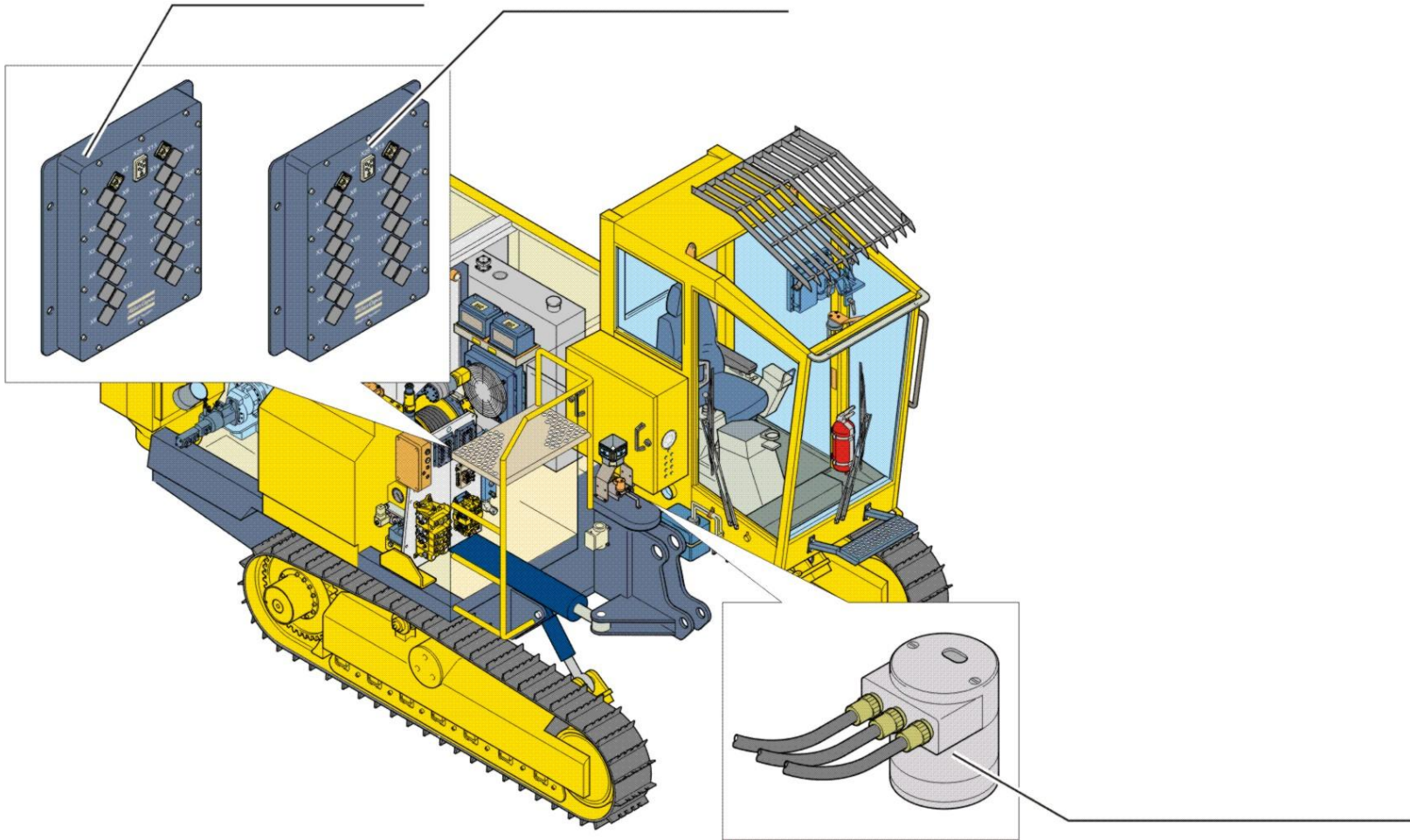


# RCS Component location

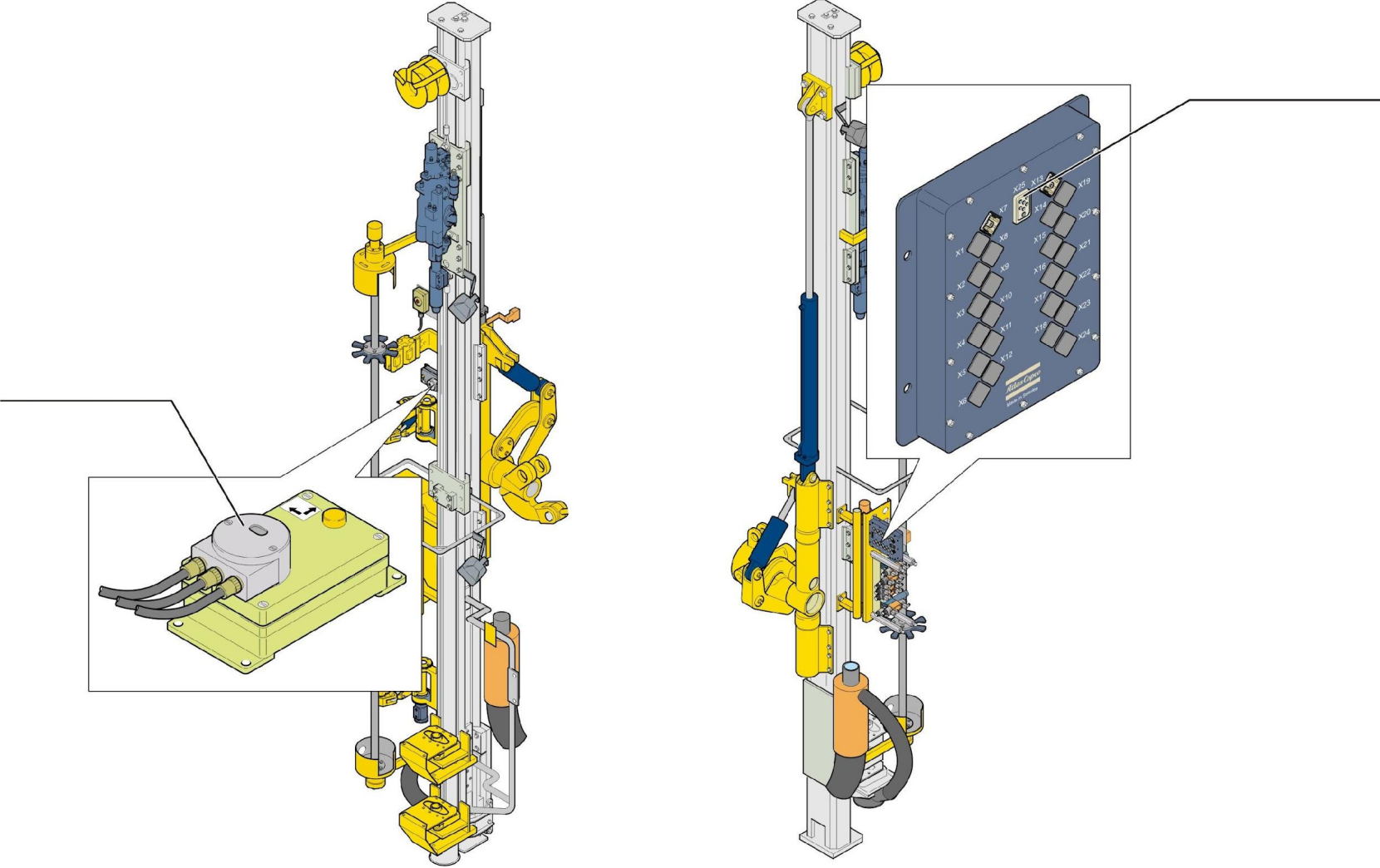


Exercise - ROC

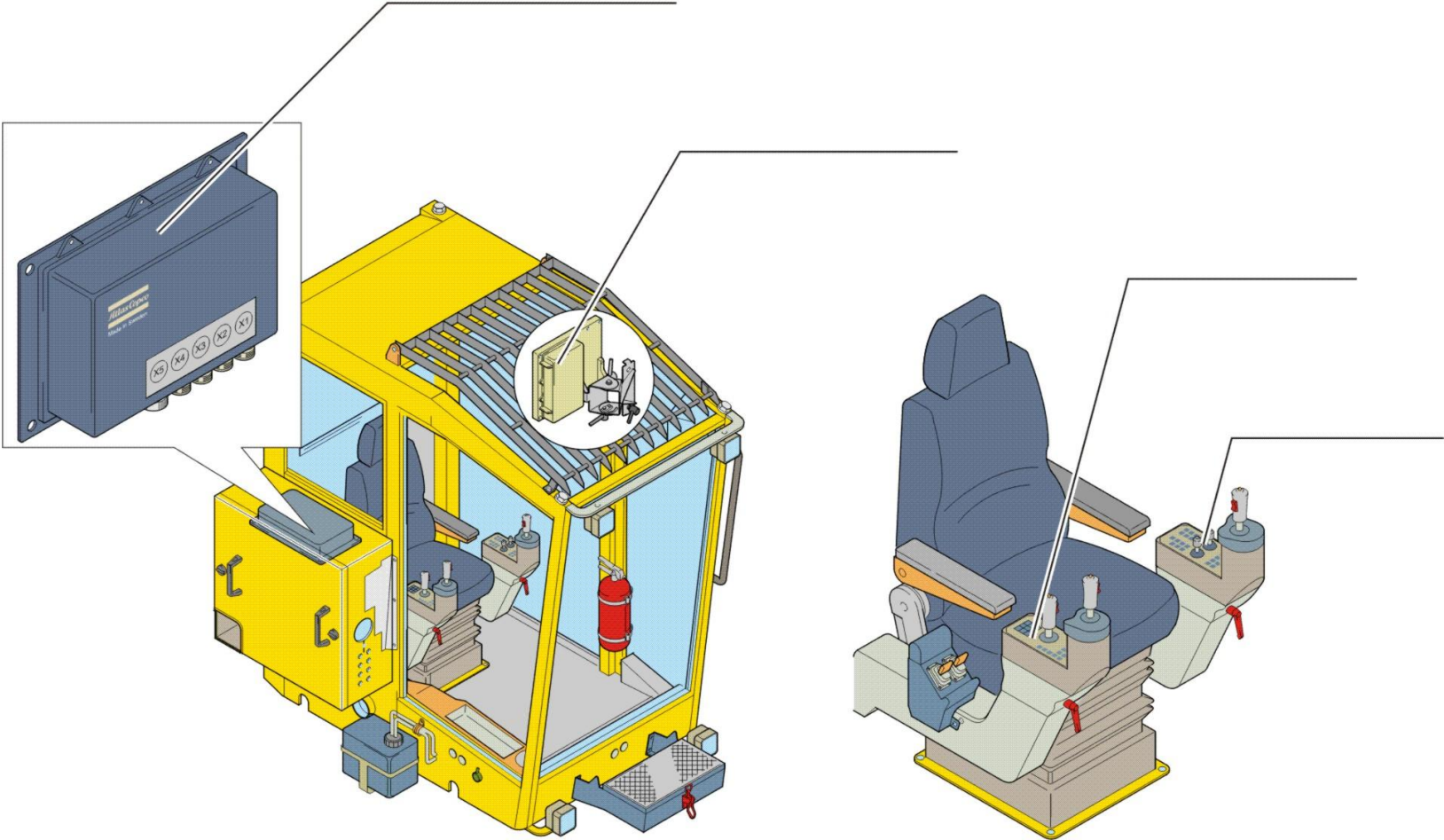
# CANBUS Component location



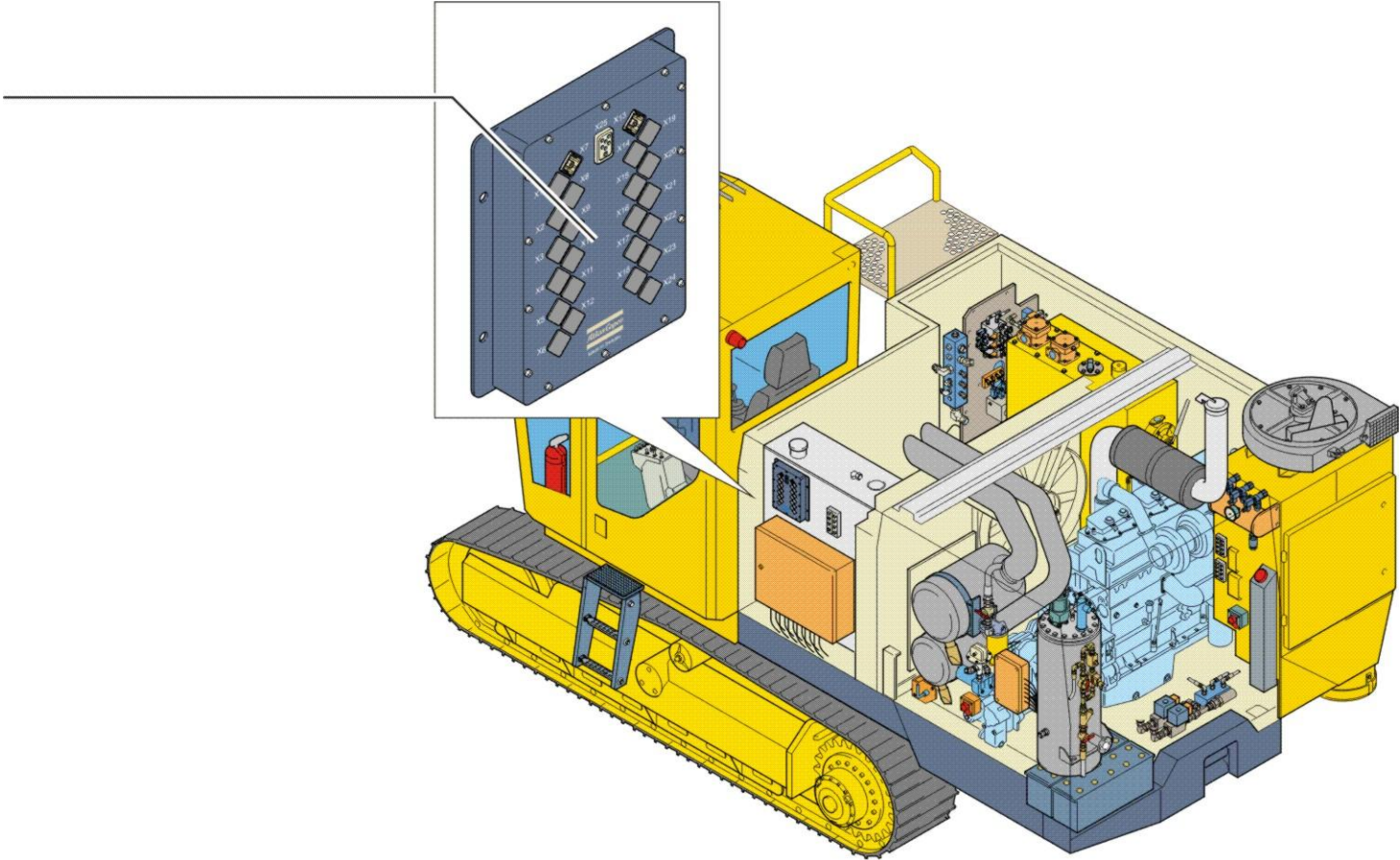
# CANBUS Component location



# CANBUS Component location



# CANBUS Component location



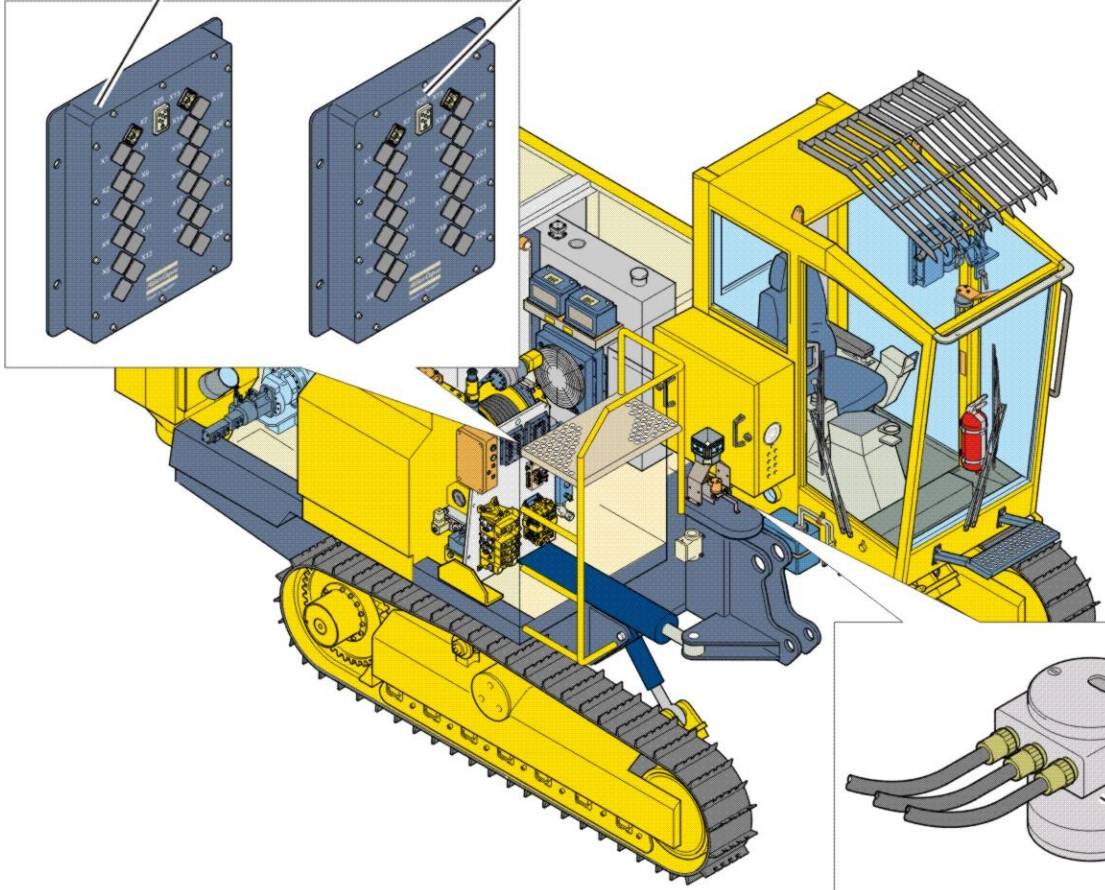
# Correct Answers



# CANBUS Component location

D101 I/O Module

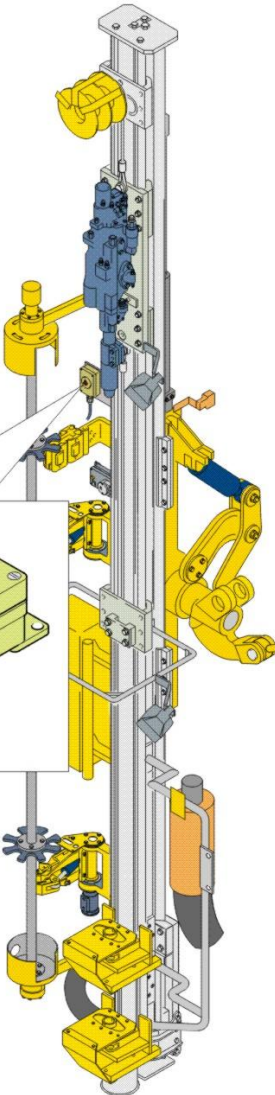
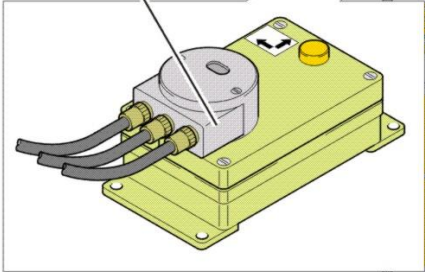
D510 I/O Module



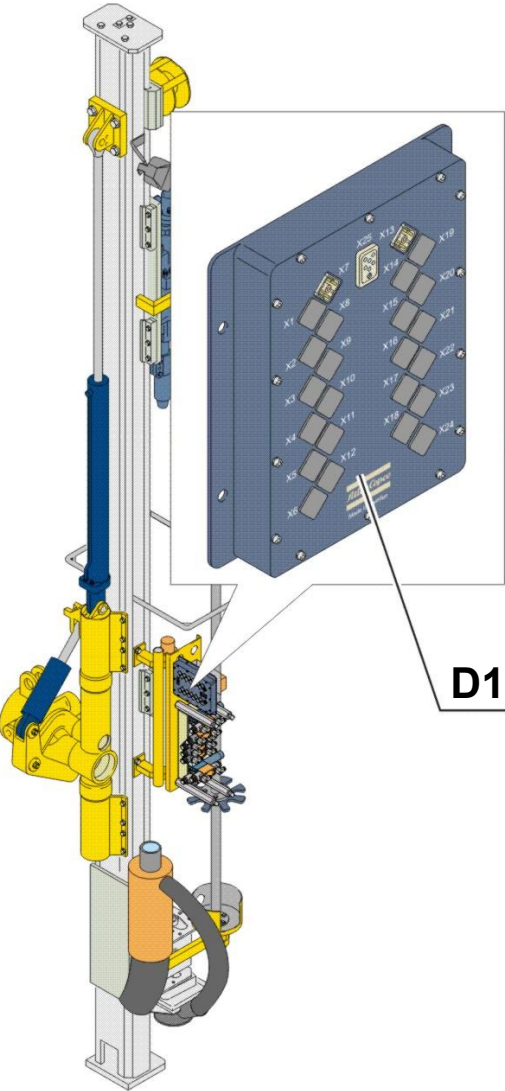
D170 Bom angle sensor

# CANBUS Component location

D172 Inclination sensor



D102 I/O Module



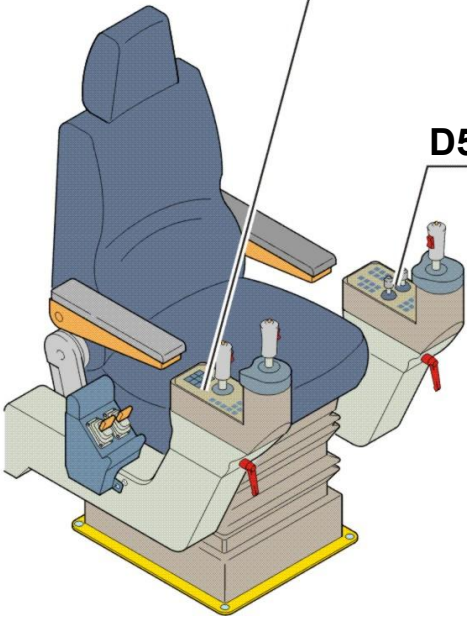
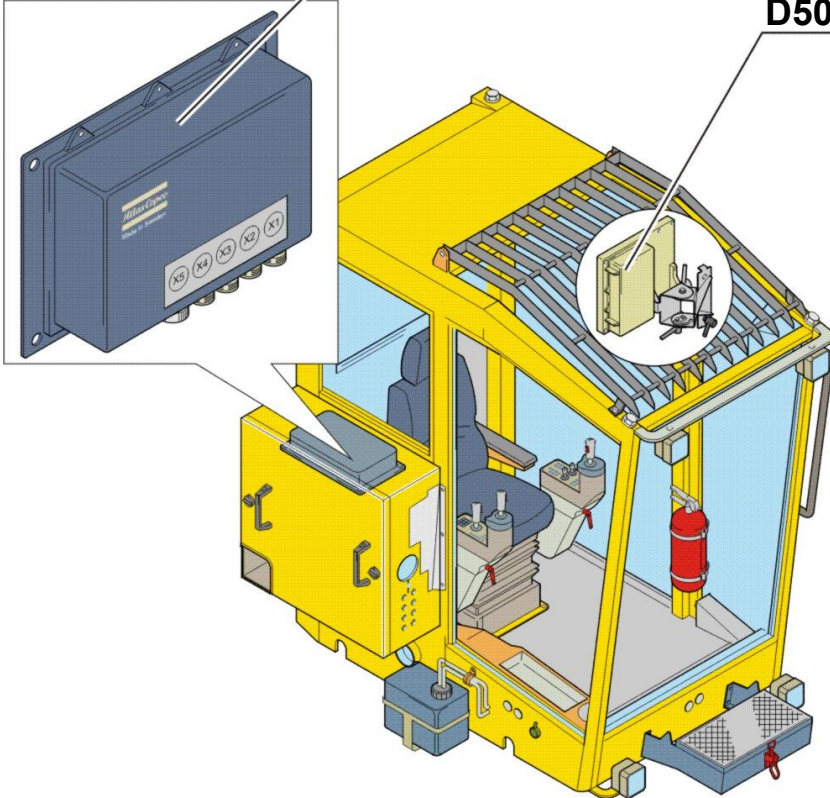
# CANBUS Component location

D100 Application module

D501 Display module

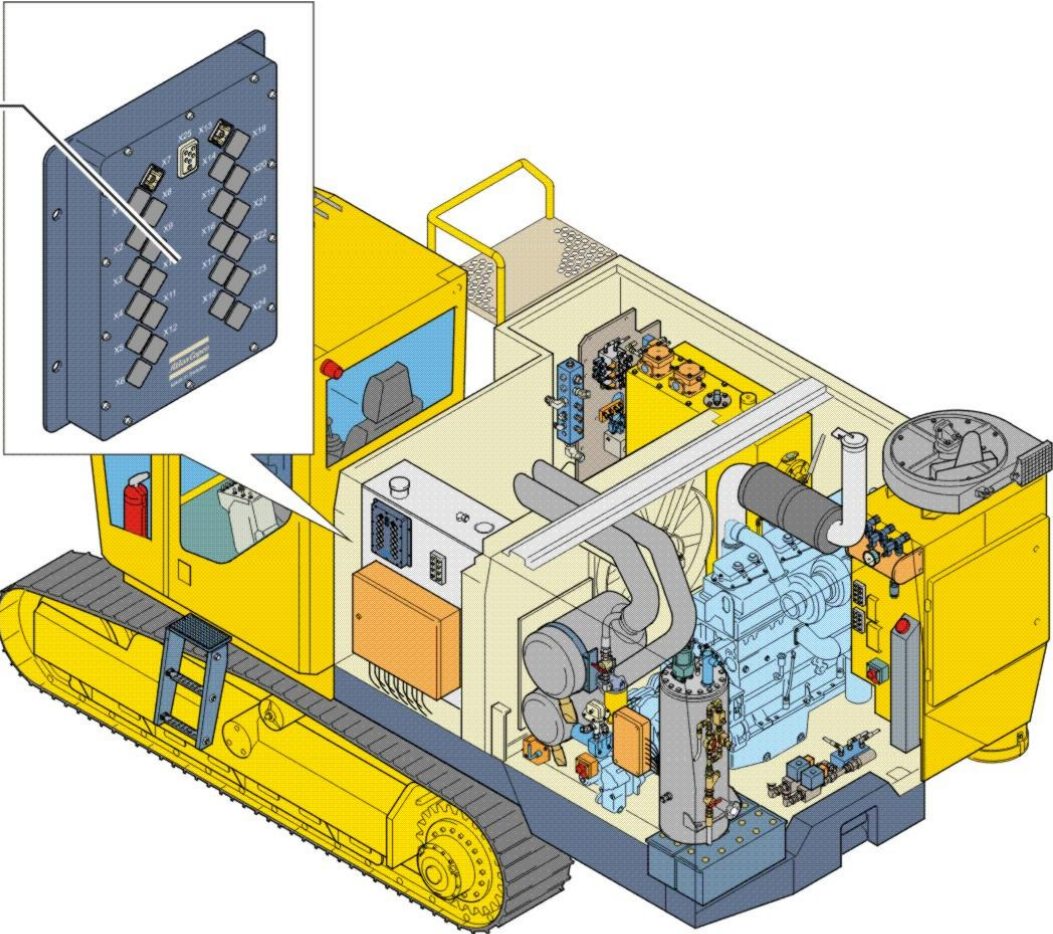
D500:2 R Lever module

D500:1 L Lever module



# CANBUS Component location

**D511 I/O Module**

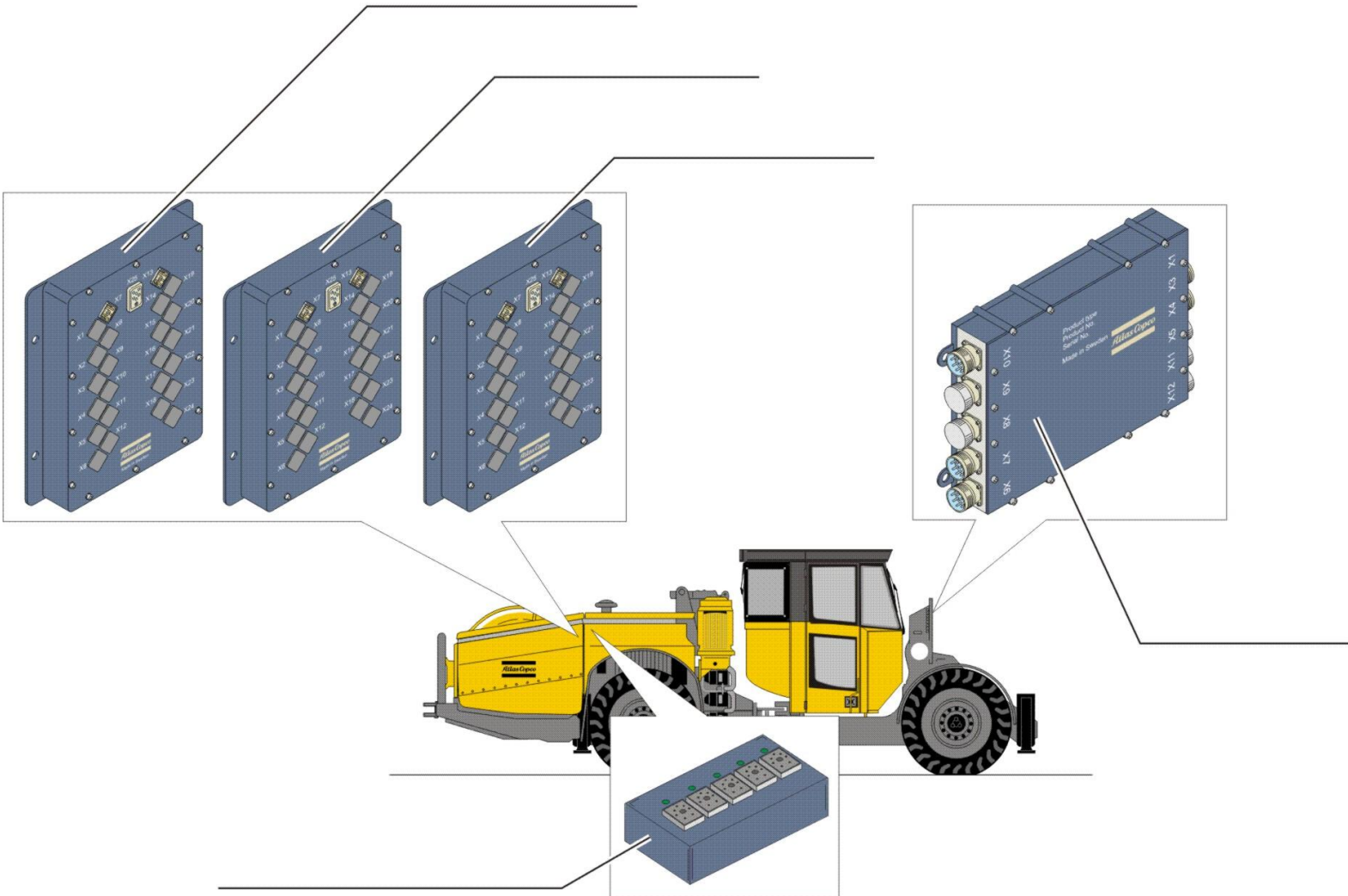


# RCS Component location

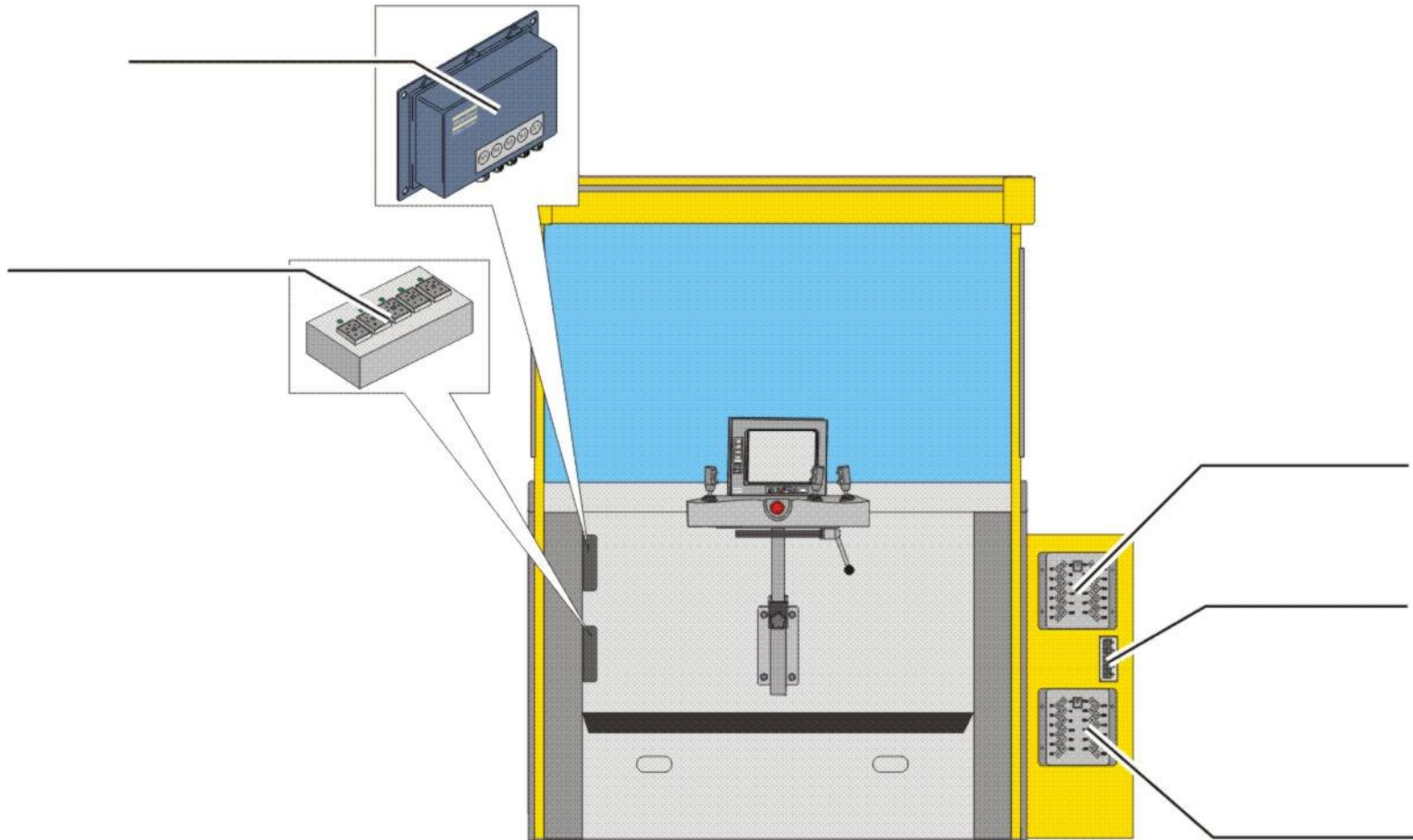


Exercise - Simba

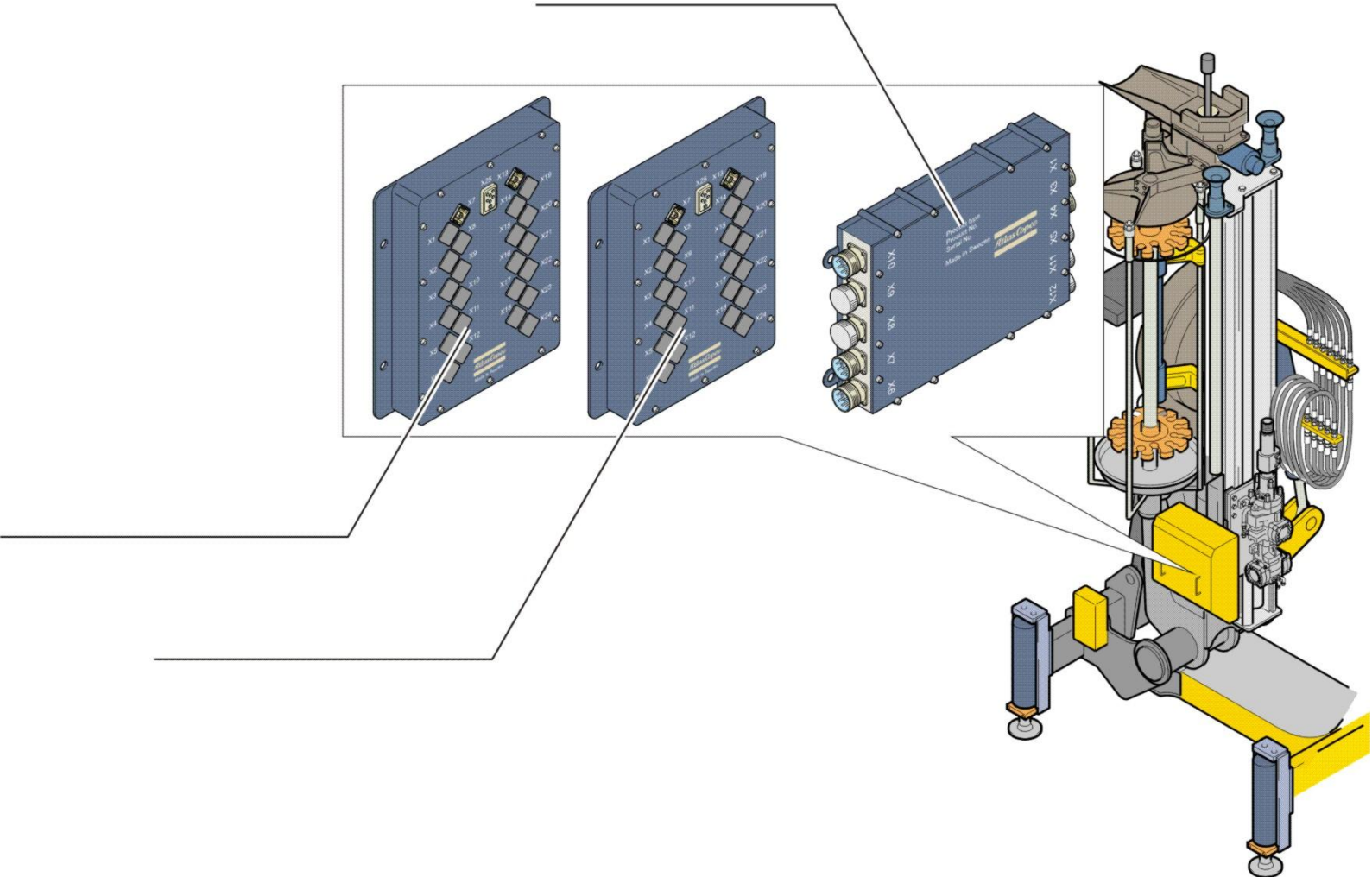
# CANBUS Component location



# CANBUS Component location

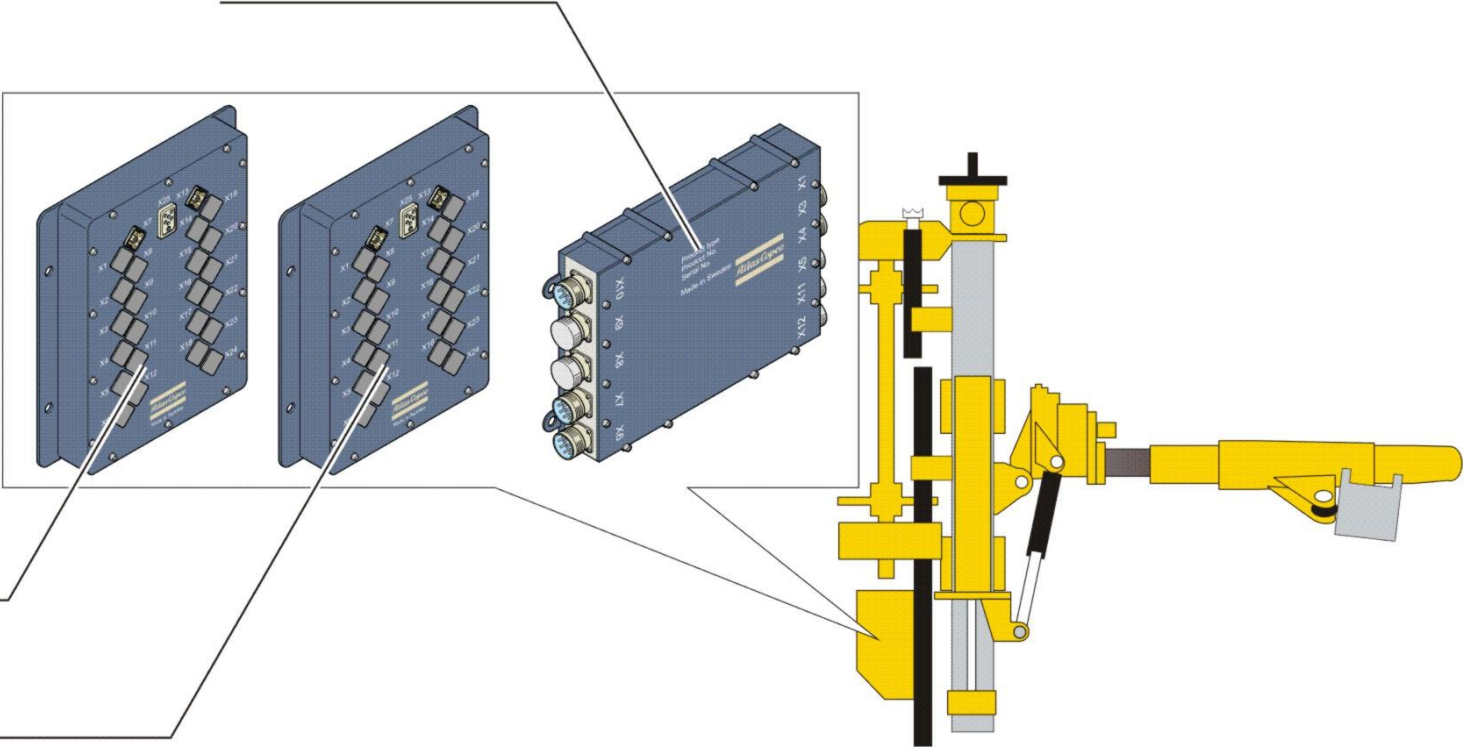


# CANBUS Component location

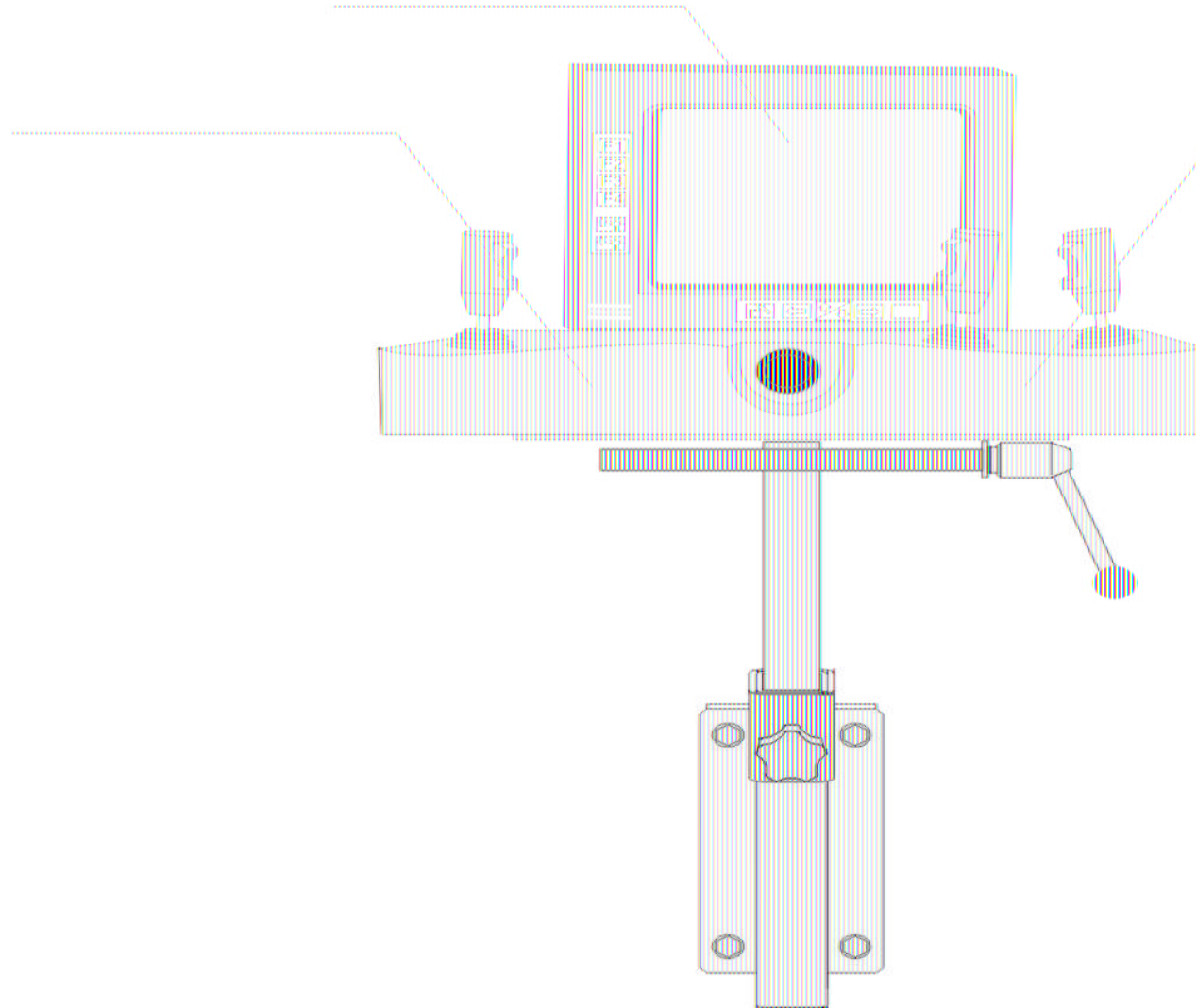




# CANBUS Component location

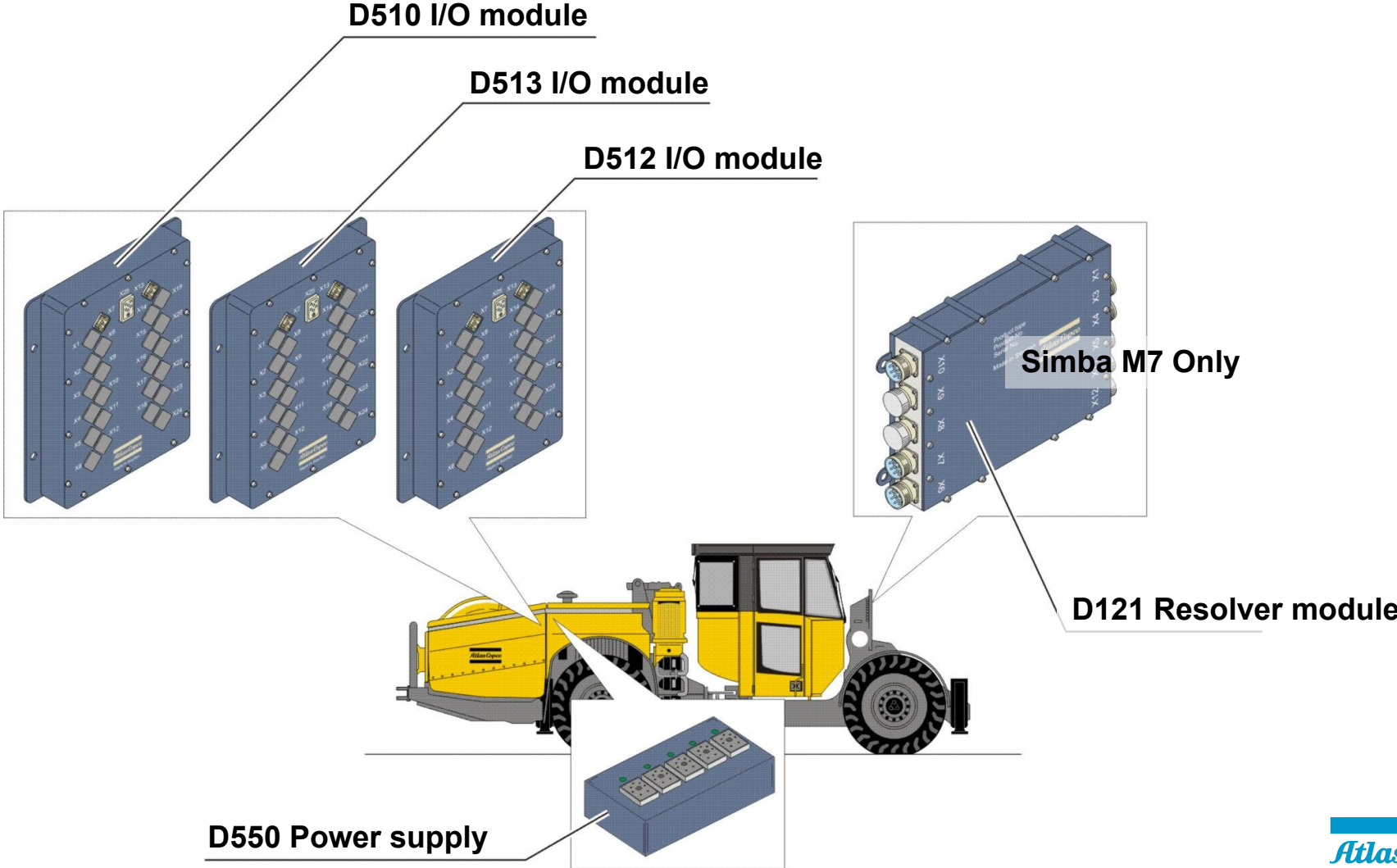


# CANBUS Component location

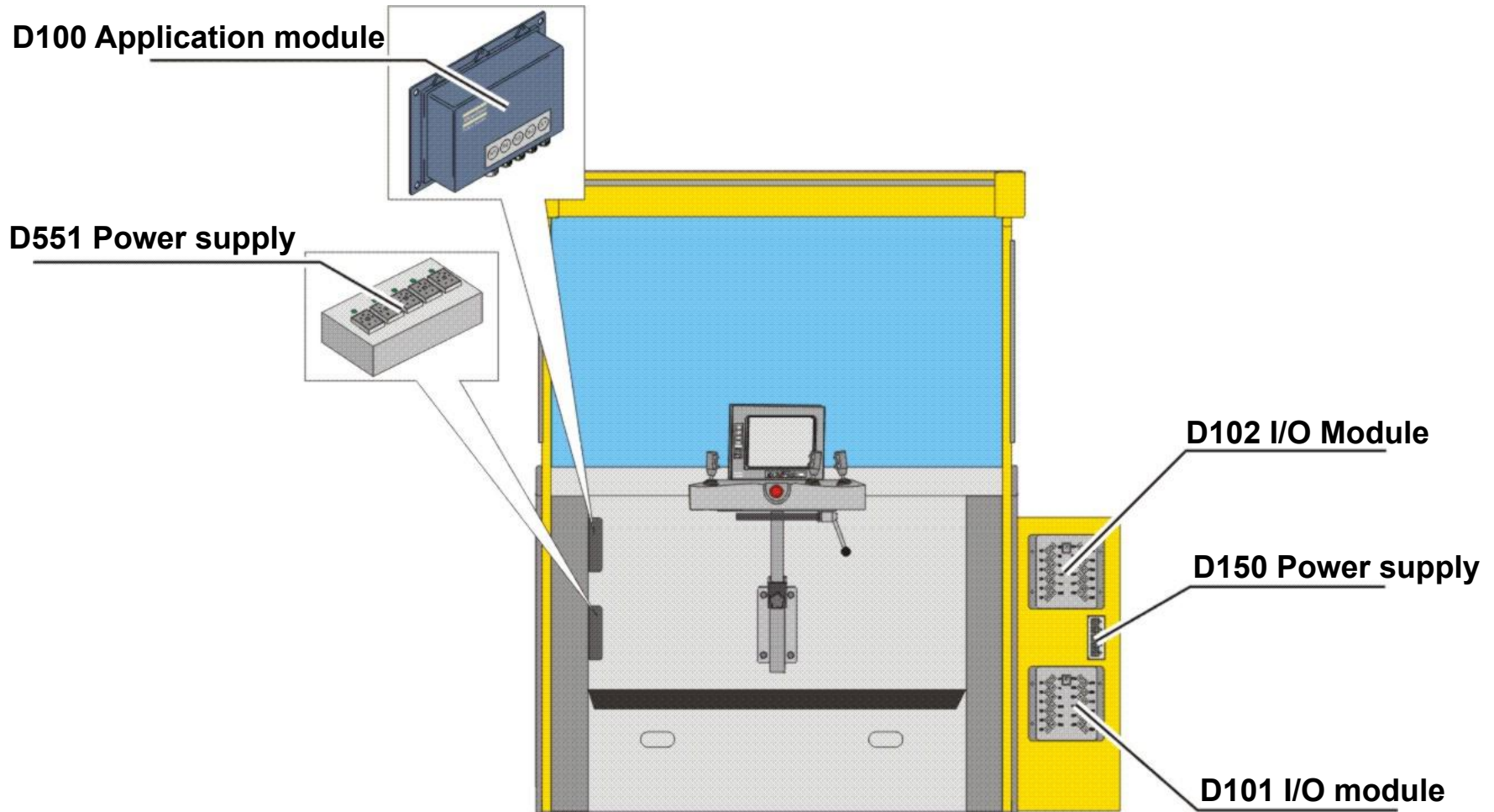


# Correct Answers

# CANBUS Component location

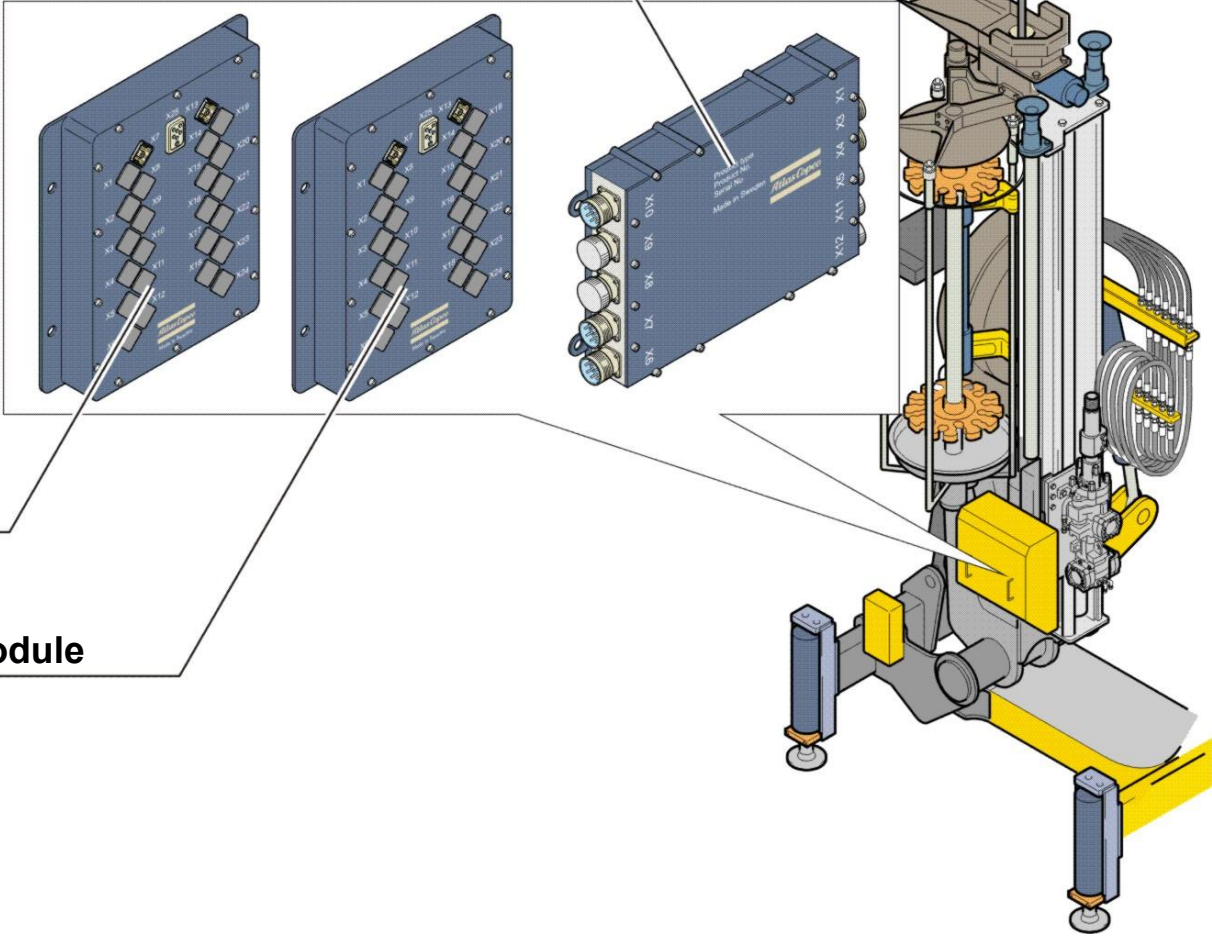


# CANBUS Component location



# CANBUS Component location

D120 Resolver module

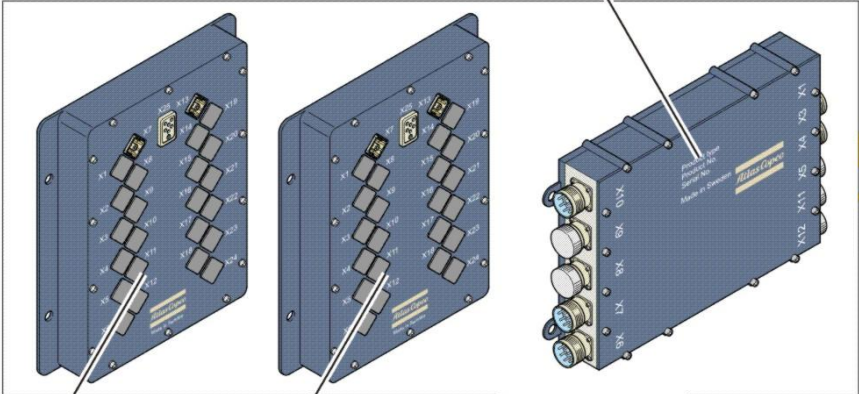


D103 I/O module

D104 I/O module

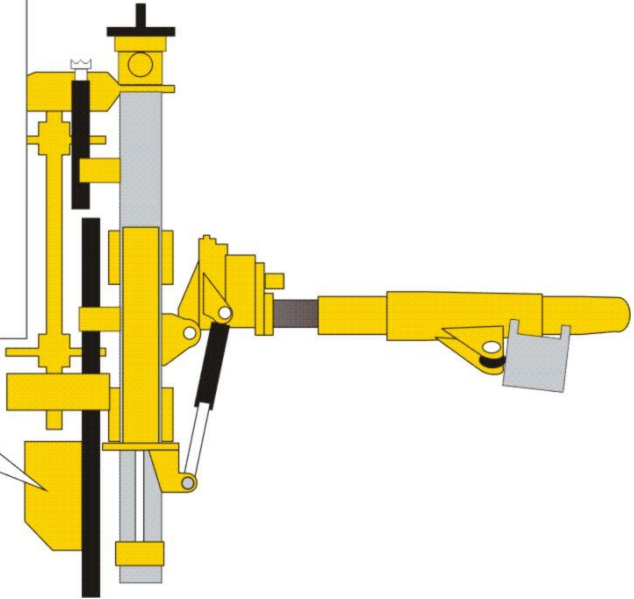
# CANBUS Component location

D120 Resolver module

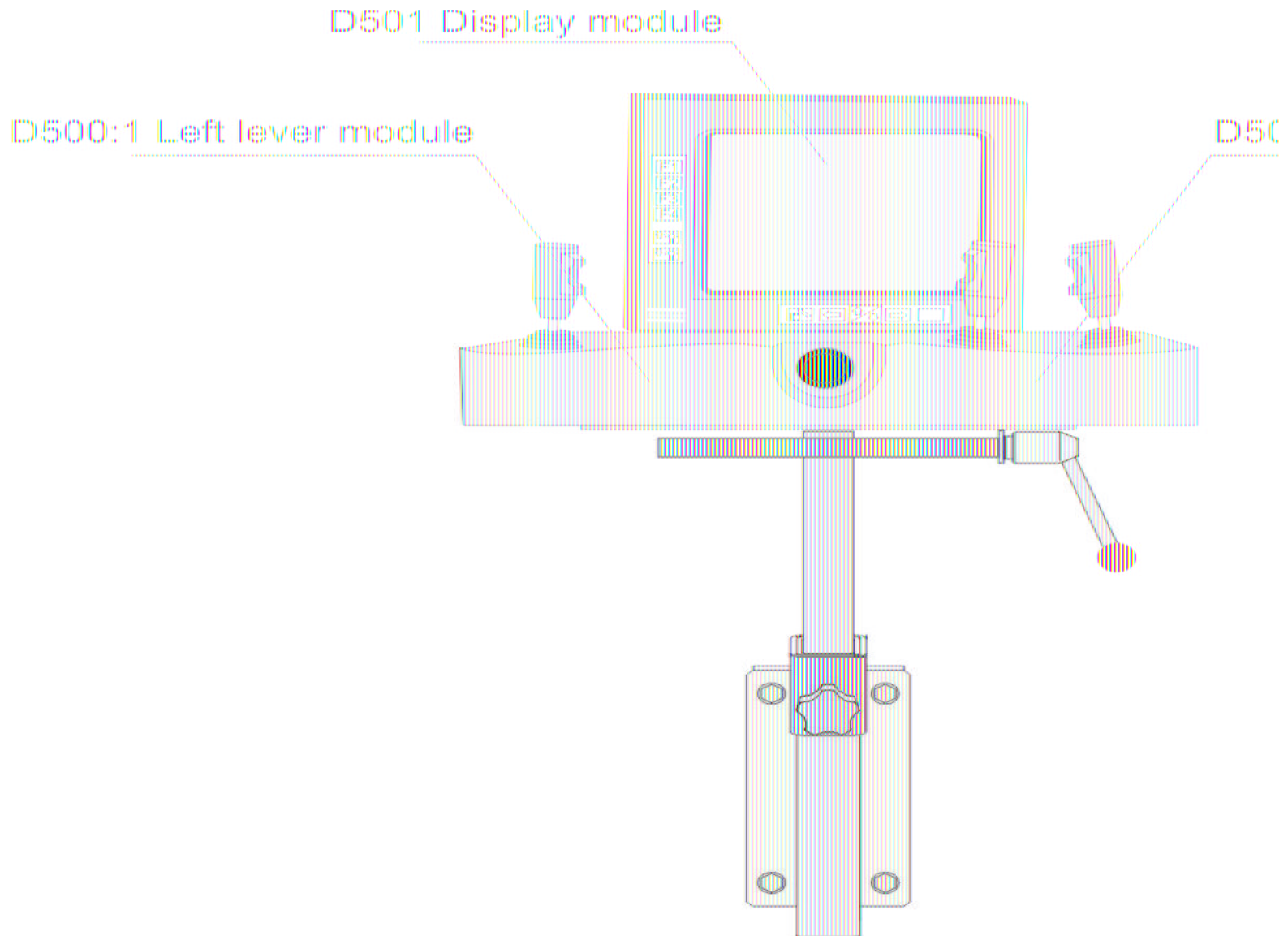


D103 I/O module

D104 I/O module



# CANBUS Component location



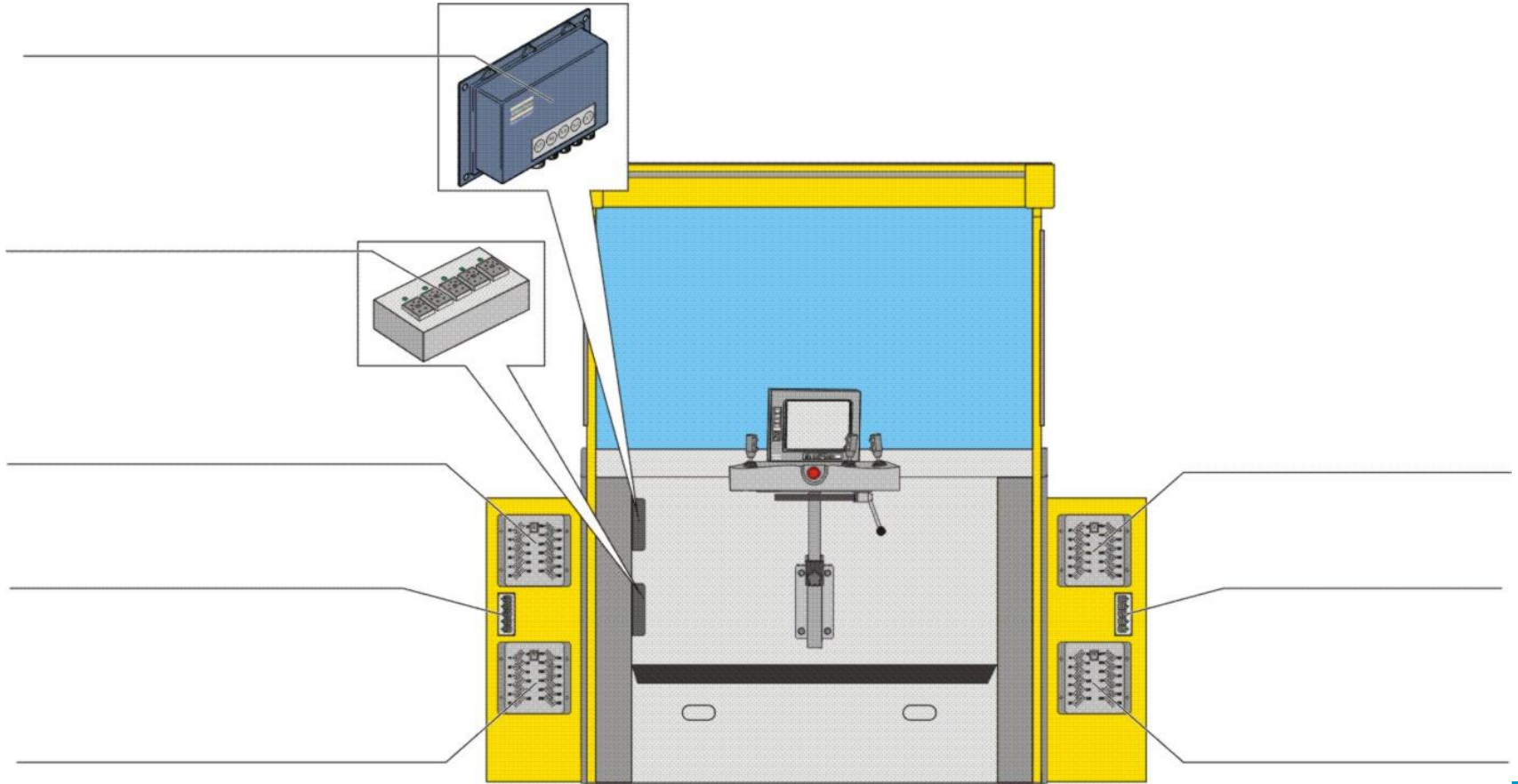


# RCS Component location

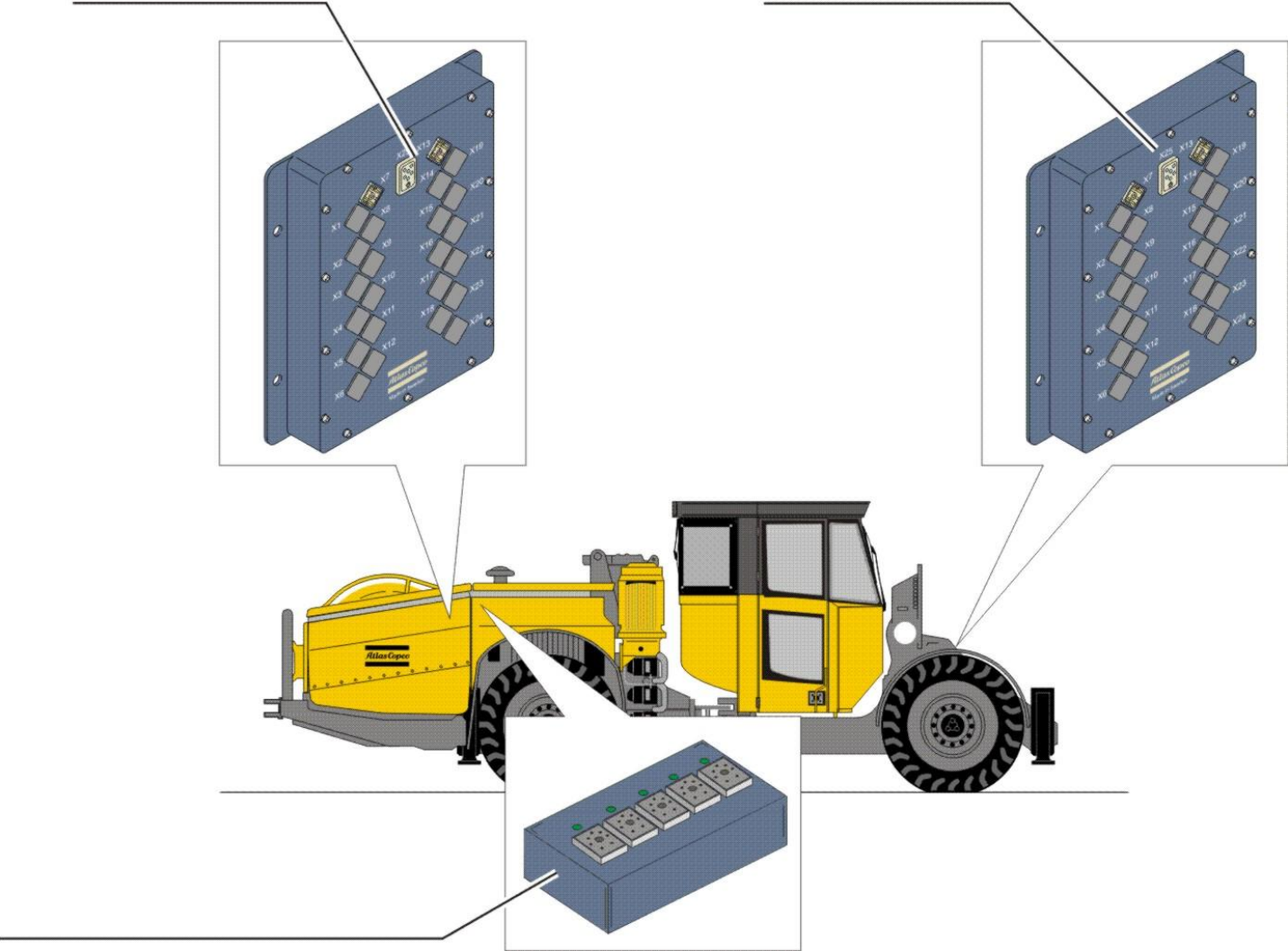


Exercise - Boltec

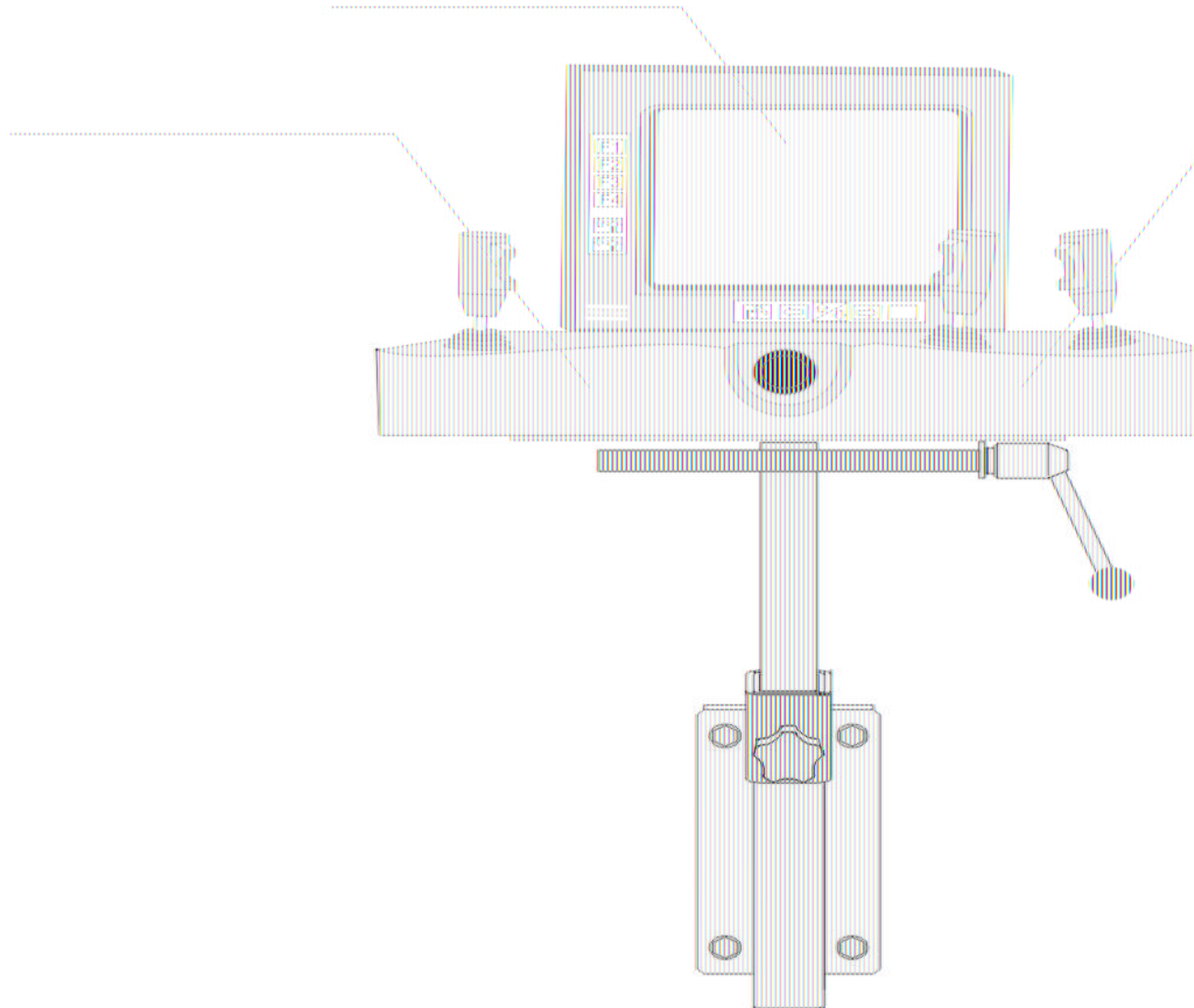
# CANBUS Component location



# CANBUS Component location

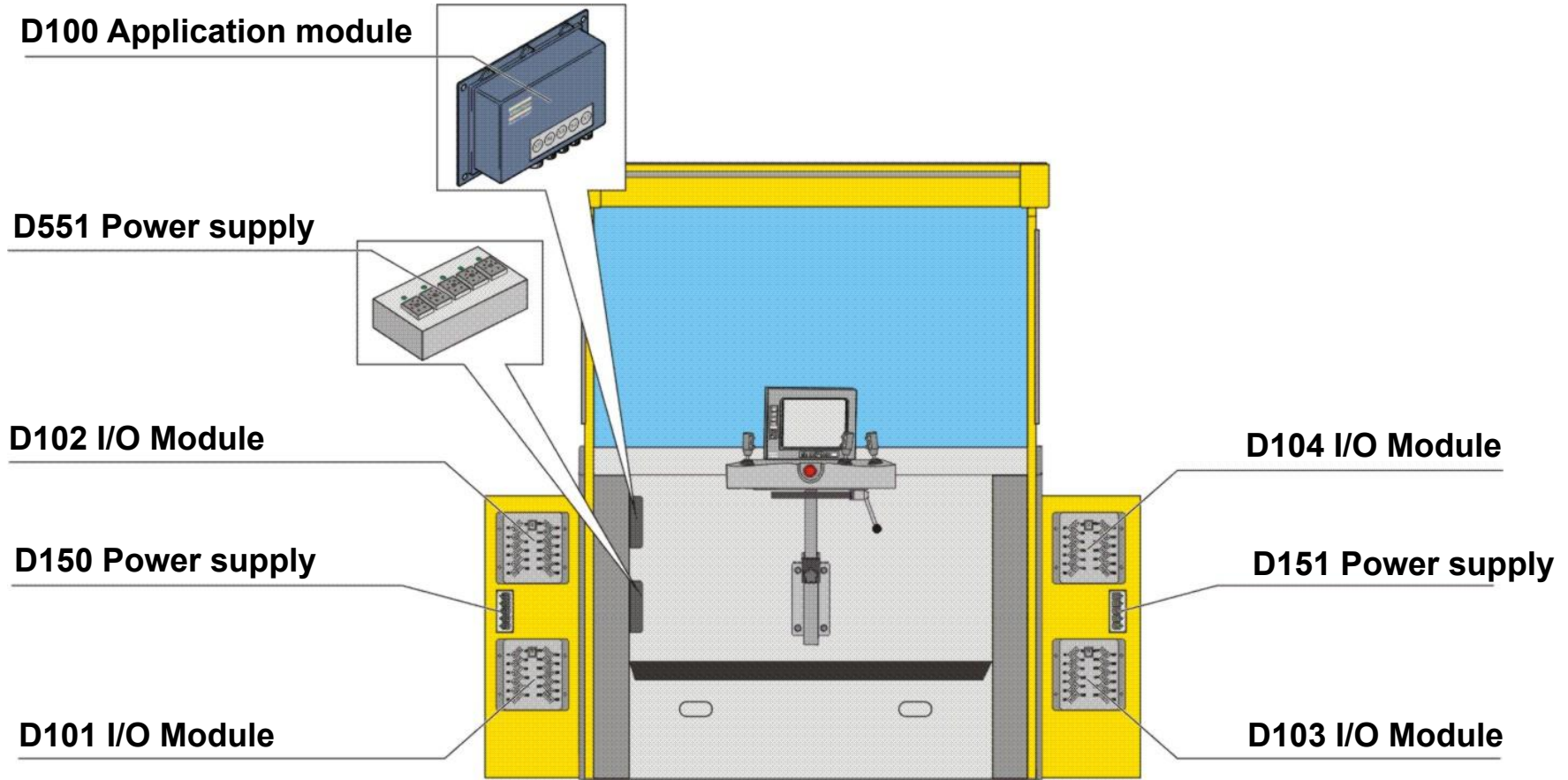


# CANBUS Component location



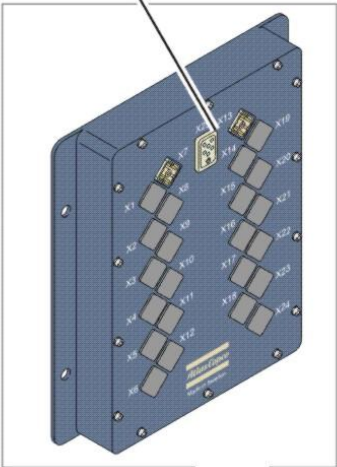
# Correct Answers

# CANBUS Component location

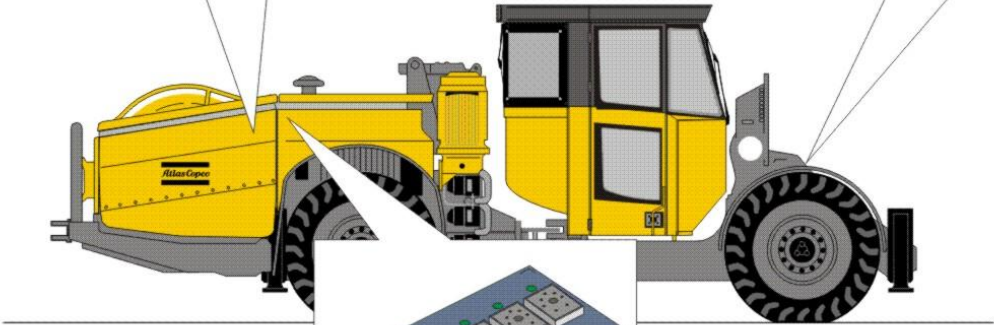
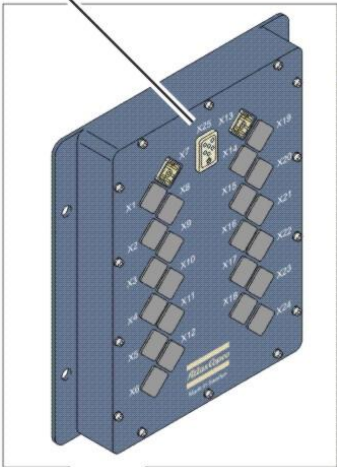


# CANBUS Component location

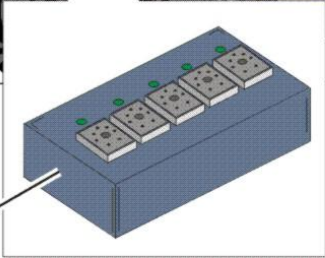
D510 I/O Module



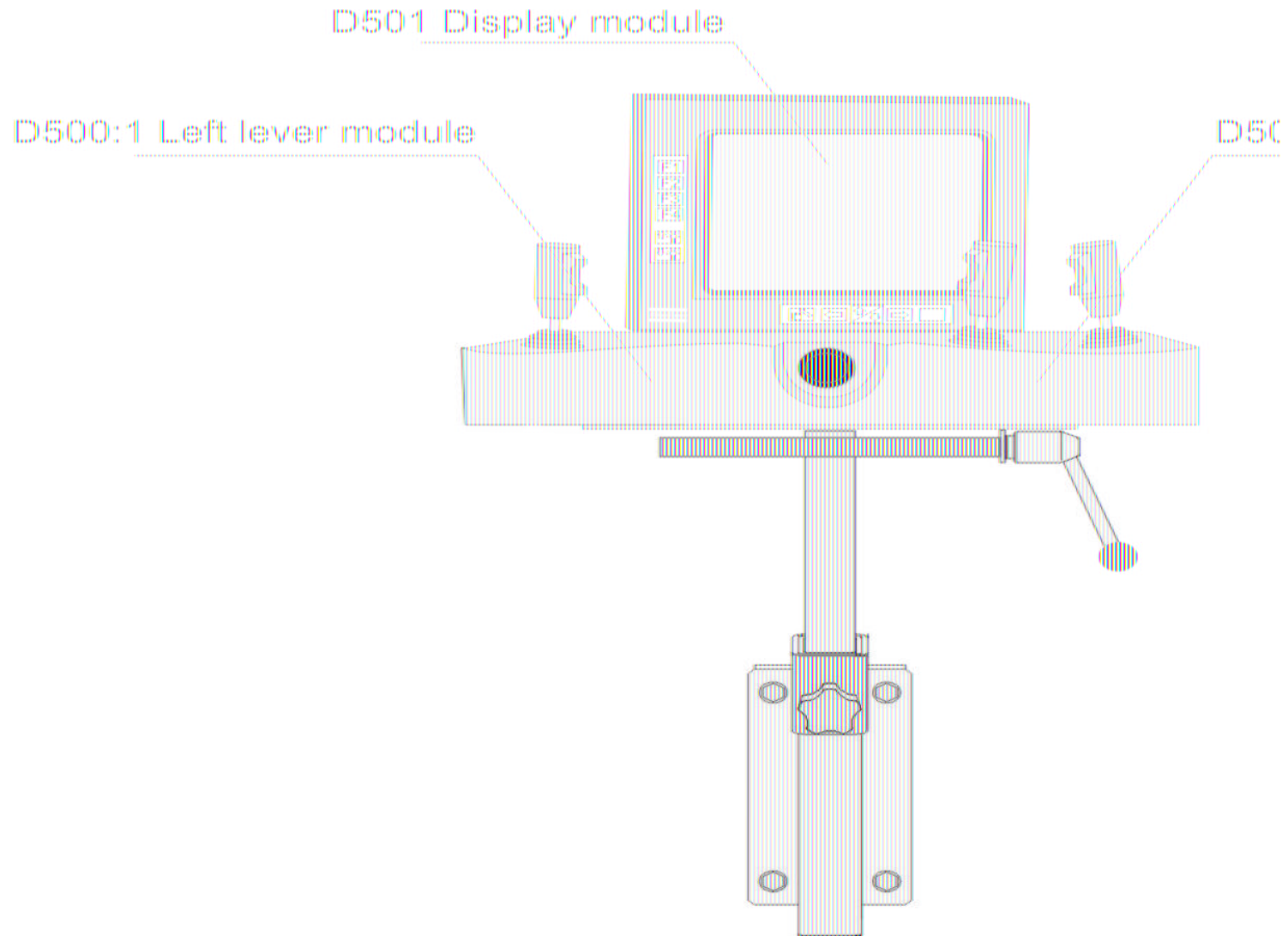
D511 I/O Module



D550 Power supply



# CANBUS Component location





**We are committed to your  
superior productivity through  
interaction and innovation.**



*Atlas Copco*

