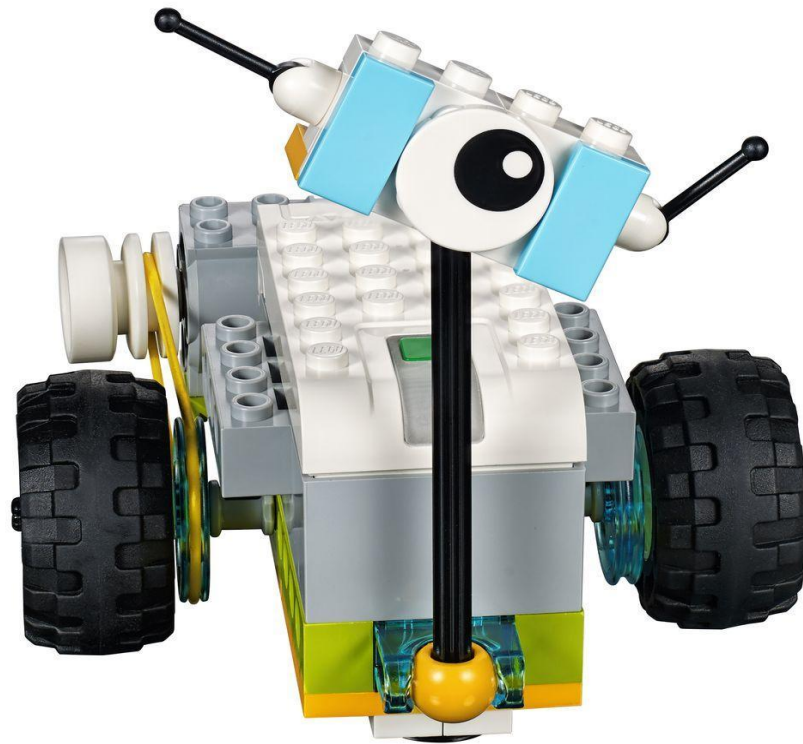
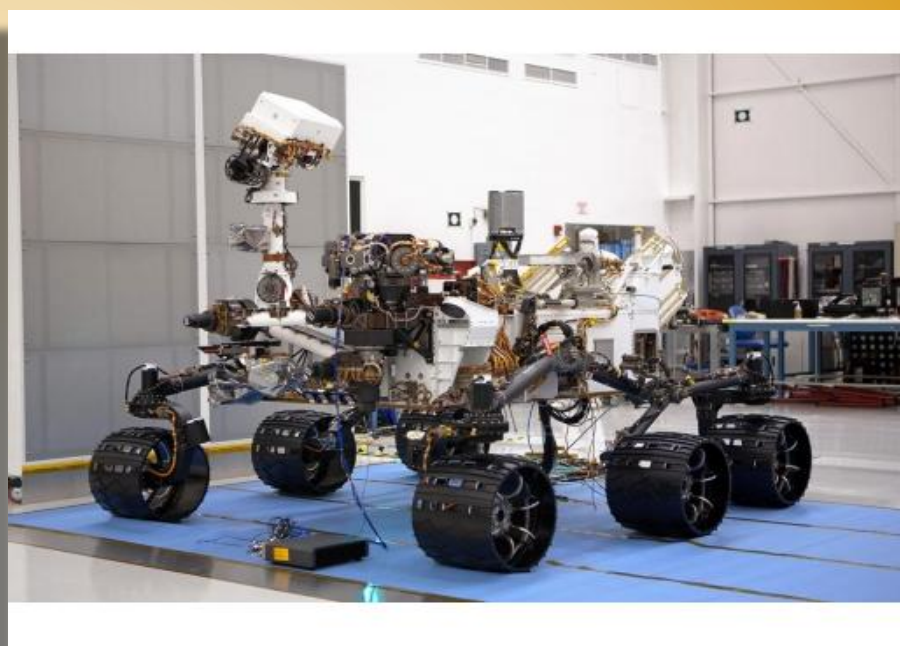


«Майло» и его друзья



Совместная работа

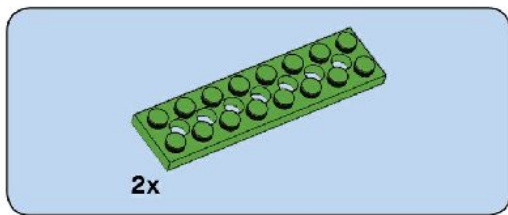




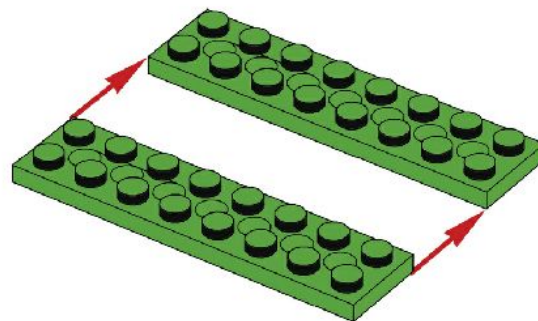
ИССЛЕДУЙ ● ●

СОЗДАВАЙ ● ● ● ●

ДЕЛИСЬ РЕЗУЛЬТАТАМИ ● ●



1



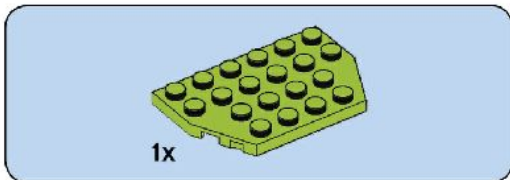
0



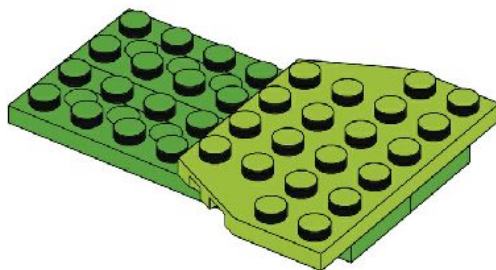
ИССЛЕДУЙ ● ●

СОЗДАВАЙ ● ● ● ●

ДЕЛИСЬ РЕЗУЛЬТАТАМИ ● ●



2



0



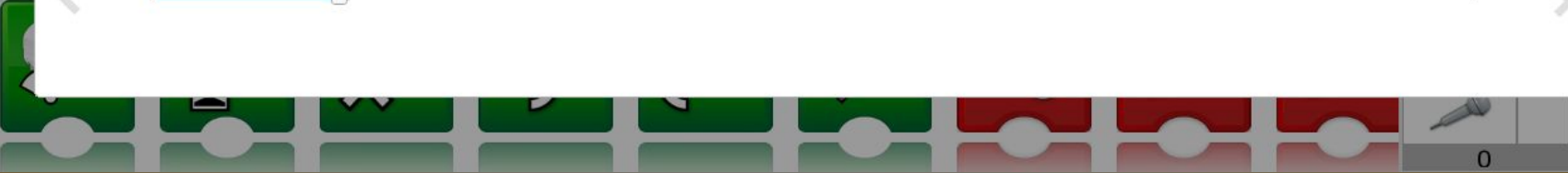
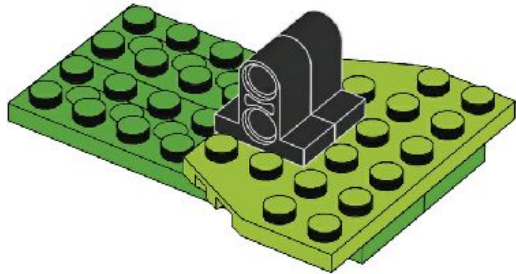
ИССЛЕДУЙ ● ●

СОЗДАВАЙ ● ● ● ●

ДЕЛИСЬ РЕЗУЛЬТАТАМИ ● ●



3



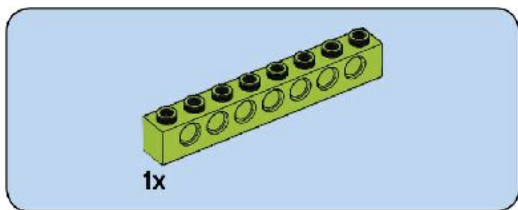
0



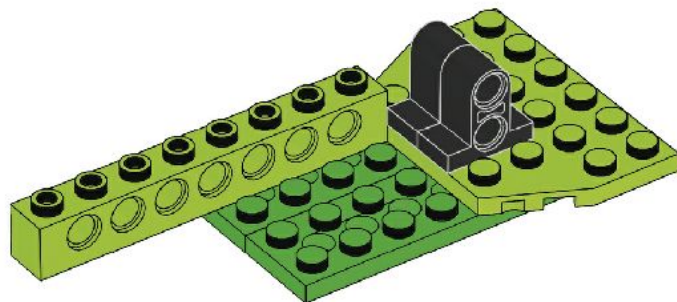
ИССЛЕДУЙ ● ●

СОЗДАВАЙ ● ● ● ● ●

ДЕЛИСЬ РЕЗУЛЬТАТАМИ ● ●



4



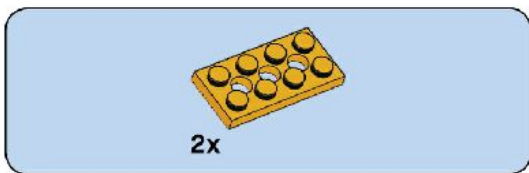
0



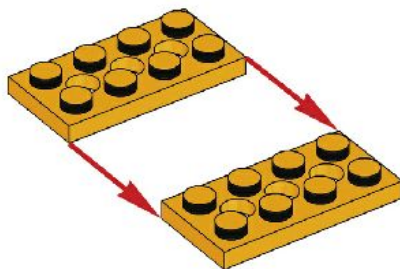
ИССЛЕДУЙ ● ●

СОЗДАВАЙ ● ● ● ●

ДЕЛИСЬ РЕЗУЛЬТАТАМИ ● ●



5

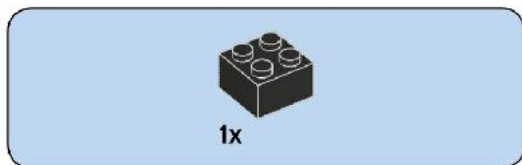




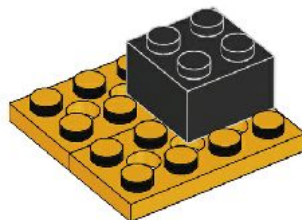
ИССЛЕДУЙ ● ●

СОЗДАВАЙ ● ● ● ●

ДЕЛИСЬ РЕЗУЛЬТАТАМИ ● ●



6



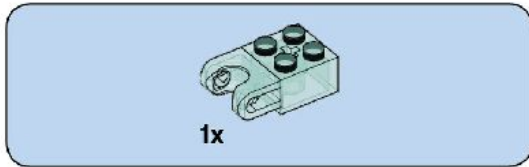
0



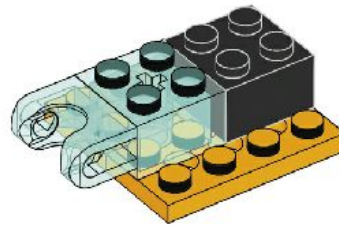
ИССЛЕДУЙ ● ●

СОЗДАВАЙ ● ● ● ●

ДЕЛИСЬ РЕЗУЛЬТАТАМИ ● ●



7





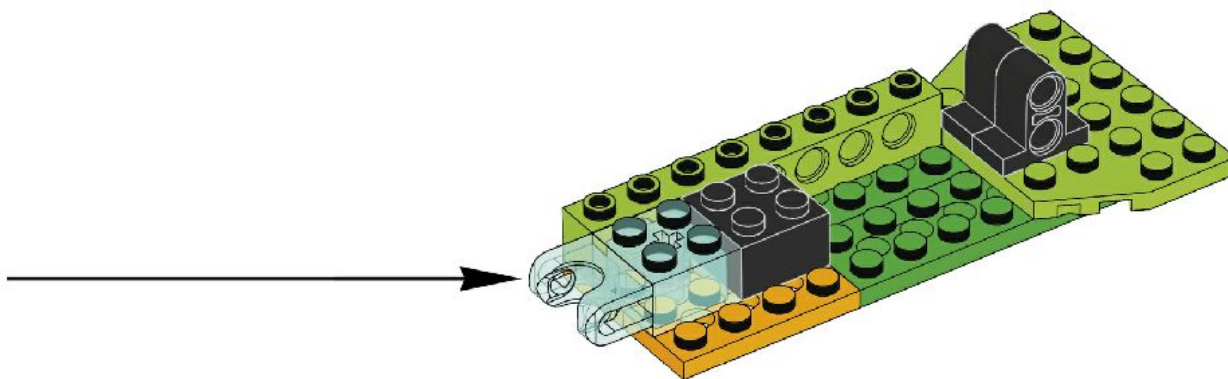
ИССЛЕДУЙ ● ●

СОЗДАВАЙ ● ● ● ● ●

ДЕЛИСЬ РЕЗУЛЬТАТАМИ ● ●



8

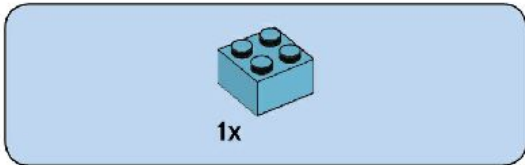




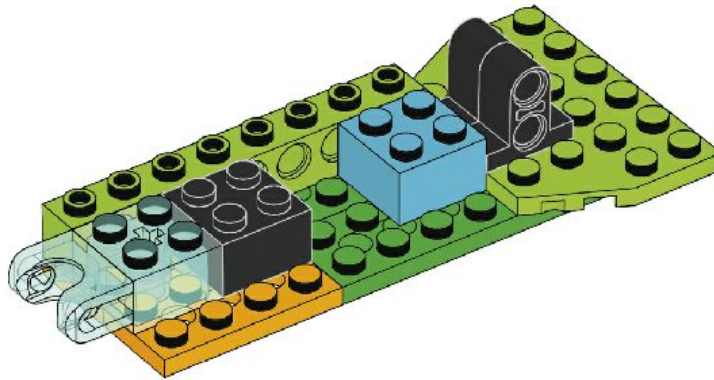
ИССЛЕДУЙ ● ●

СОЗДАВАЙ ● ● ● ●

ДЕЛИСЬ РЕЗУЛЬТАТАМИ ● ●



9

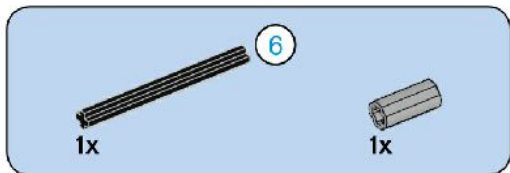




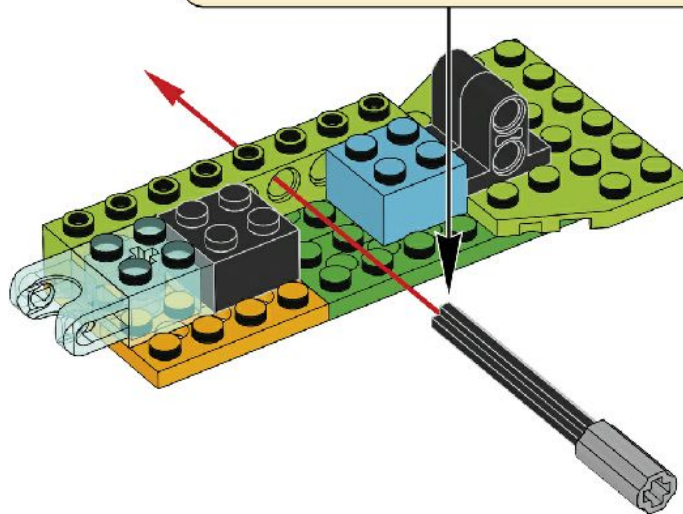
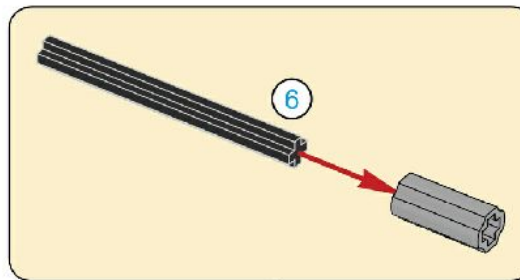
ИССЛЕДУЙ ● ●

СОЗДАВАЙ ● ● ● ●

ДЕЛИСЬ РЕЗУЛЬТАТАМИ ● ●



10

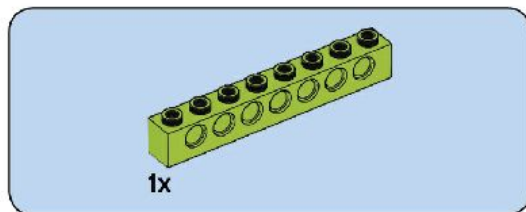




ИССЛЕДУЙ ● ●

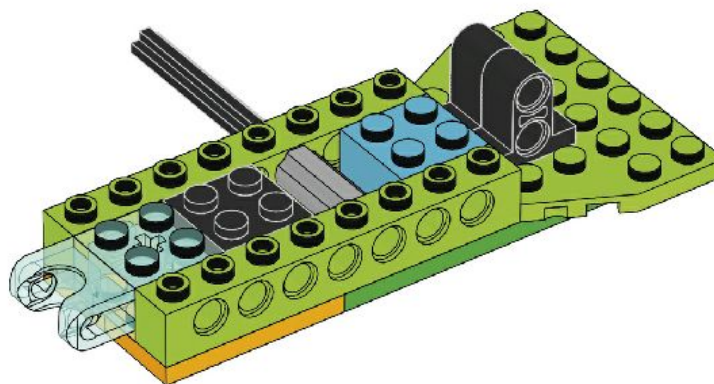
СОЗДАВАЙ ● ● ● ●

ДЕЛИСЬ РЕЗУЛЬТАТАМИ ● ●



1x

11

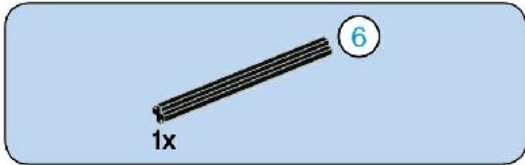




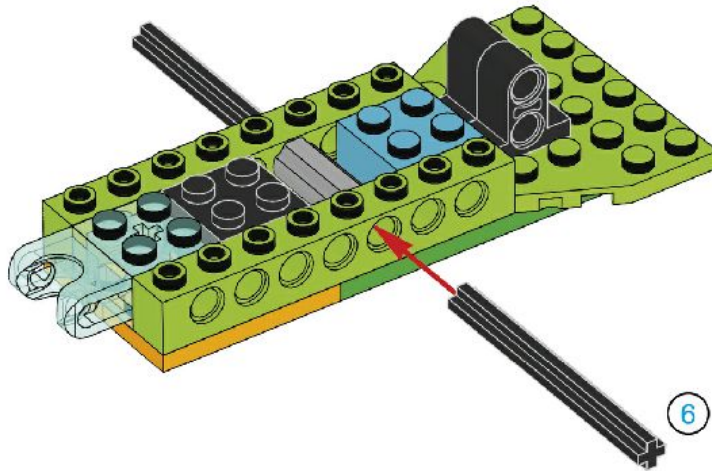
ИССЛЕДУЙ ● ●

СОЗДАВАЙ ● ● ● ●

ДЕЛИСЬ РЕЗУЛЬТАТАМИ ● ●



12

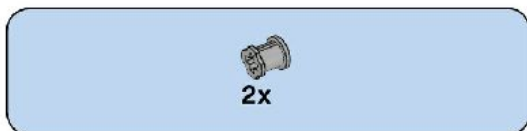




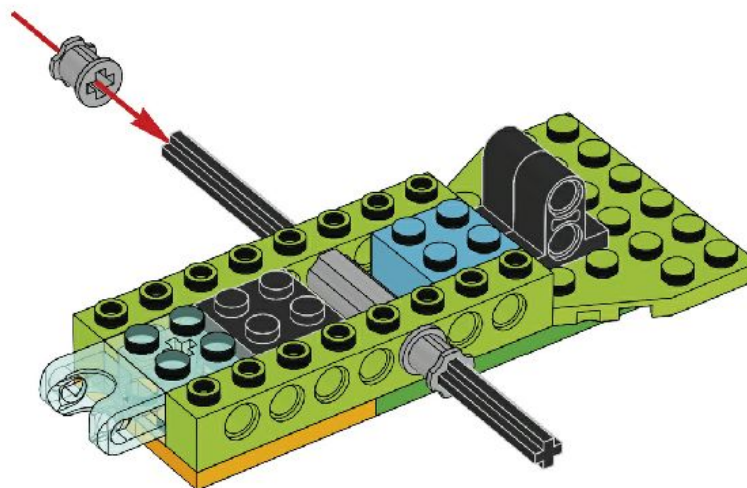
ИССЛЕДУЙ ● ●

СОЗДАВАЙ ● ● ● ●

ДЕЛИСЬ РЕЗУЛЬТАТАМИ ● ●



13

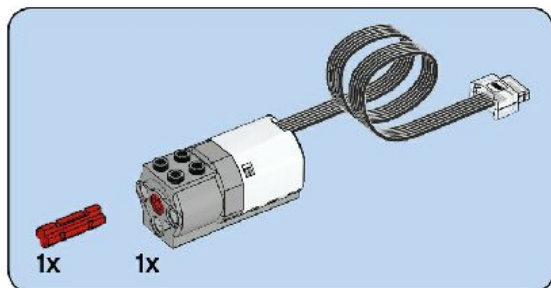




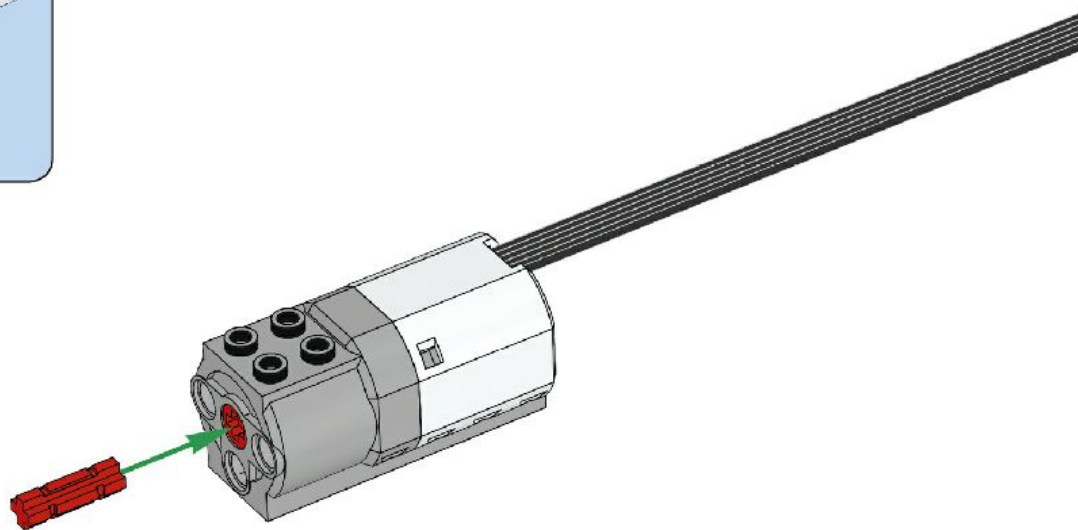
ИССЛЕДУЙ ● ●

СОЗДАВАЙ ● ● ● ●

ДЕЛИСЬ РЕЗУЛЬТАТАМИ ● ●



14

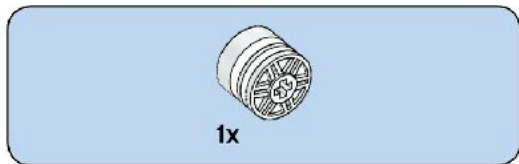




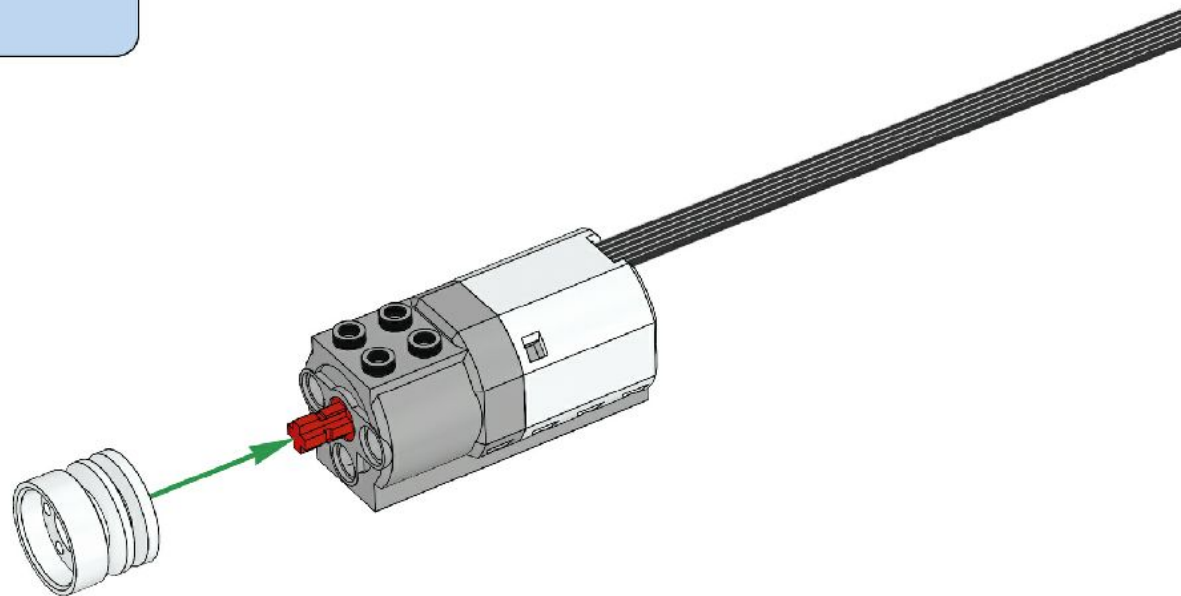
ИССЛЕДУЙ ● ●

СОЗДАВАЙ ● ● ● ●

ДЕЛИСЬ РЕЗУЛЬТАТАМИ ● ●



15



0



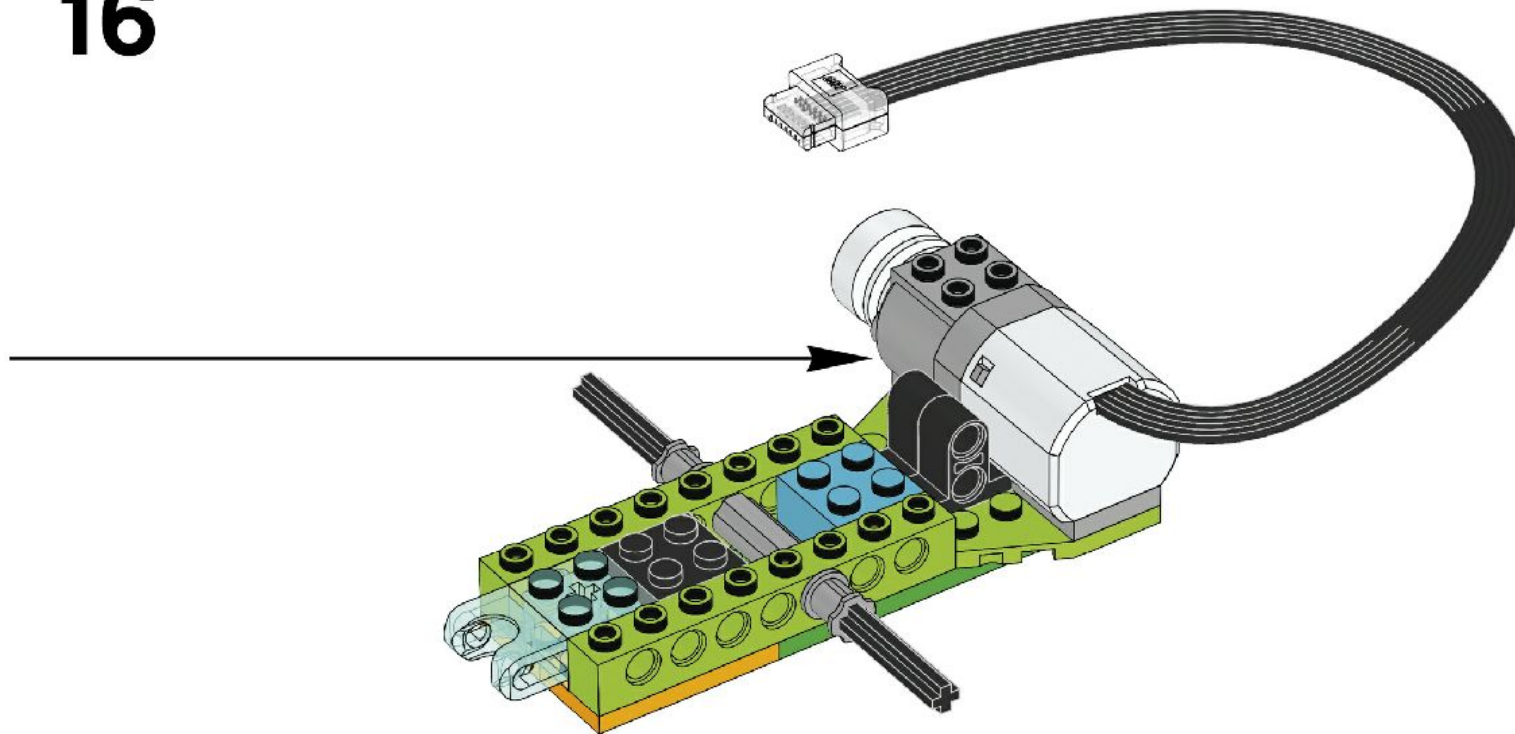
ИССЛЕДУЙ ● ●

СОЗДАВАЙ ● ● ● ● ●

ДЕЛИСЬ РЕЗУЛЬТАТАМИ ● ●



16

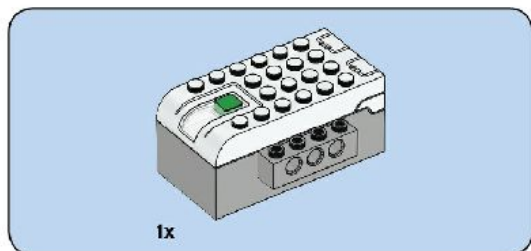




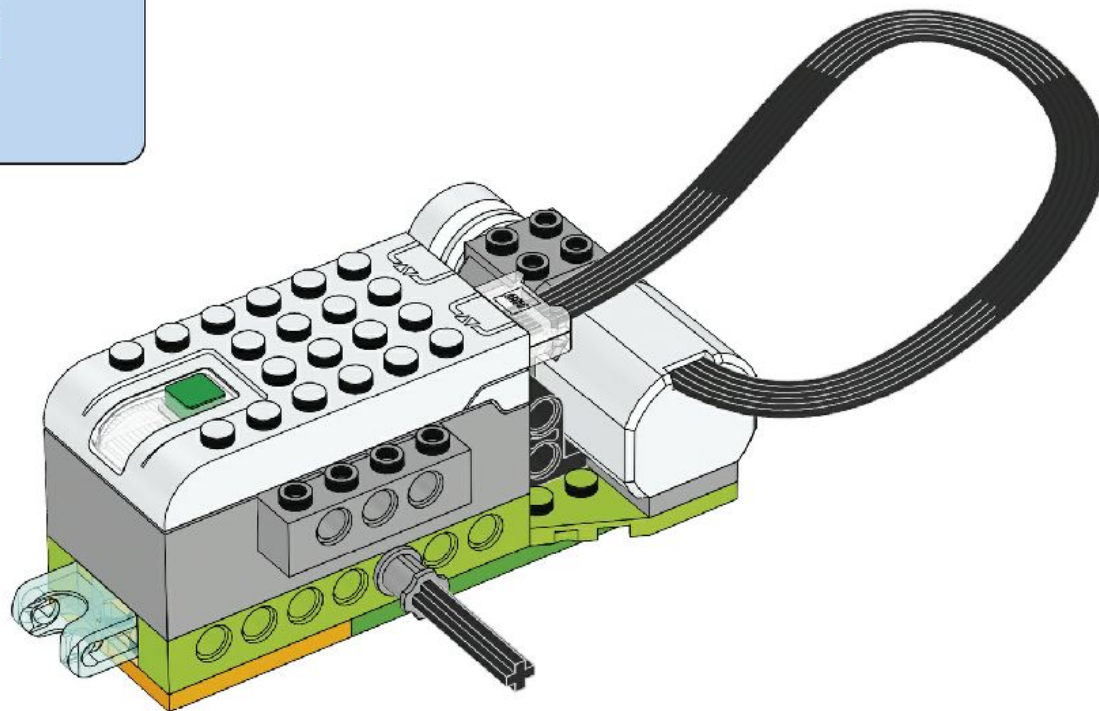
ИССЛЕДУЙ ● ●

СОЗДАВАЙ ● ● ● ●

ДЕЛИСЬ РЕЗУЛЬТАТАМИ ● ●



17



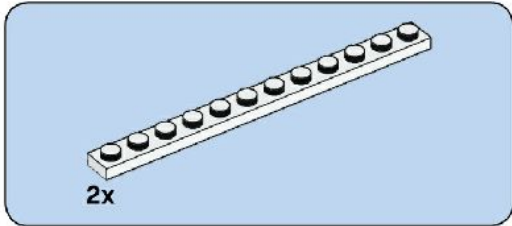
0



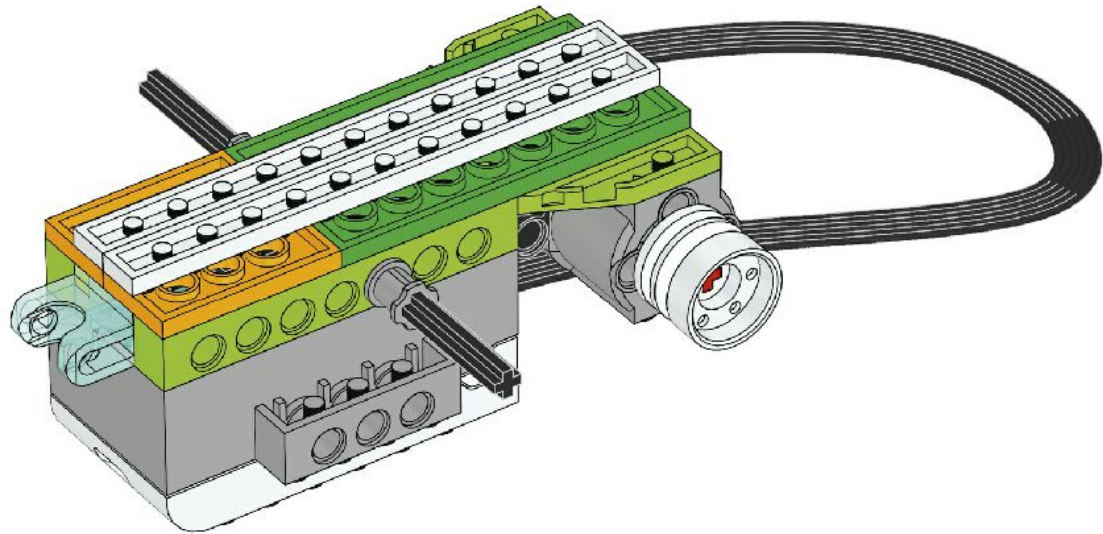
ИССЛЕДУЙ ● ●

СОЗДАВАЙ ● ● ● ●

ДЕЛИСЬ РЕЗУЛЬТАТАМИ ● ●



18





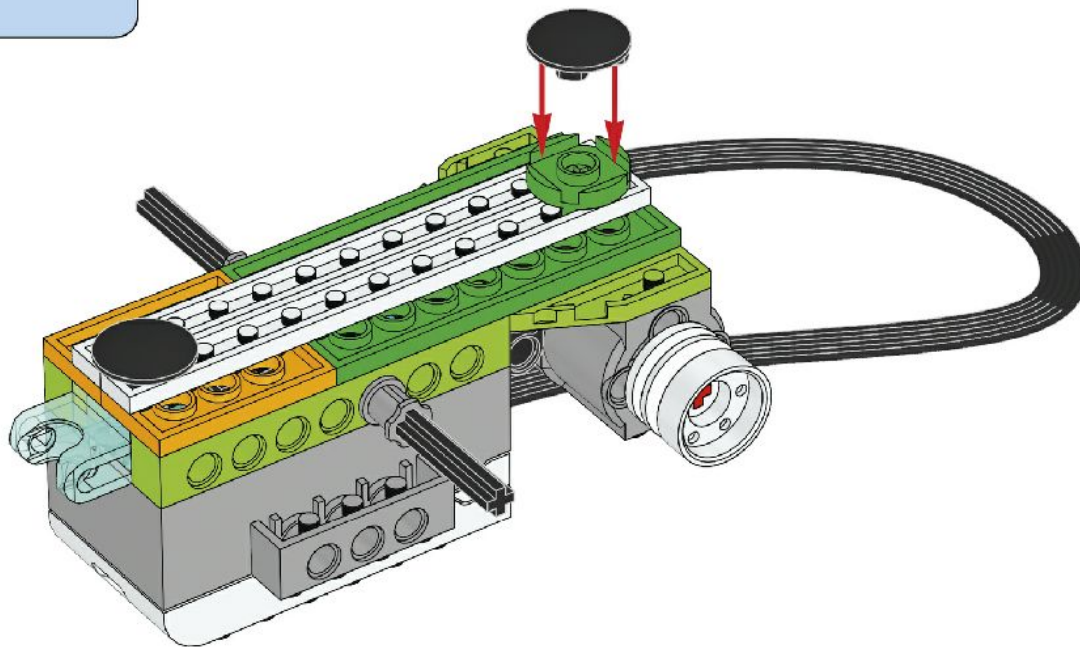
ИССЛЕДУЙ ● ●

СОЗДАВАЙ ● ● ● ●

ДЕЛИСЬ РЕЗУЛЬТАТАМИ ● ● ●



19





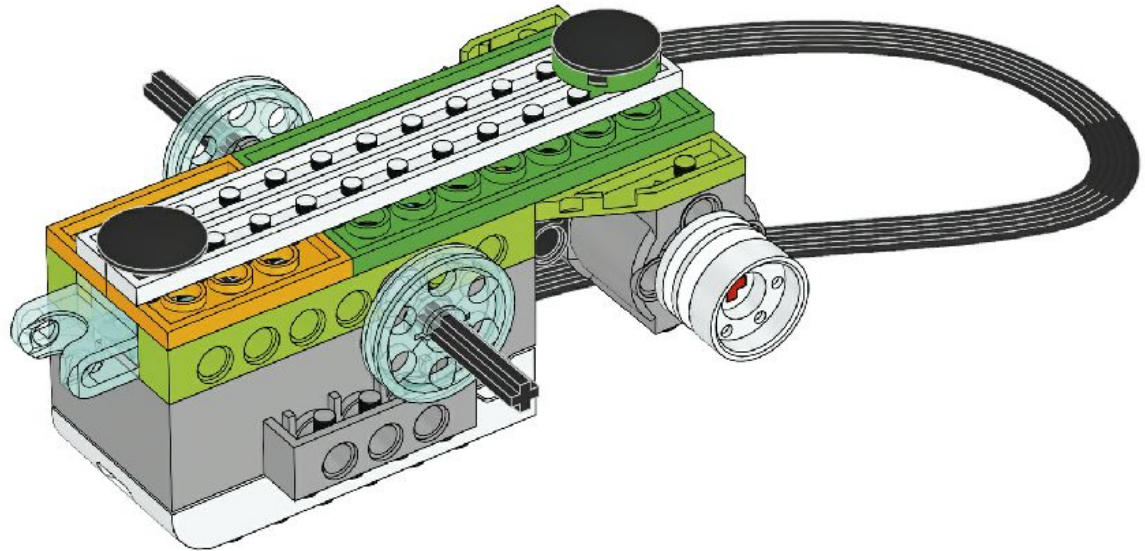
ИССЛЕДУЙ ● ●

СОЗДАВАЙ ● ● ● ●

ДЕЛИСЬ РЕЗУЛЬТАТАМИ ● ●



20

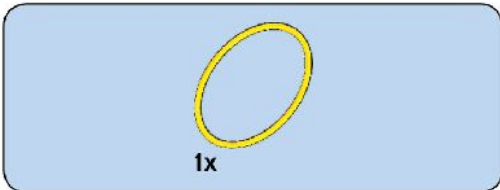




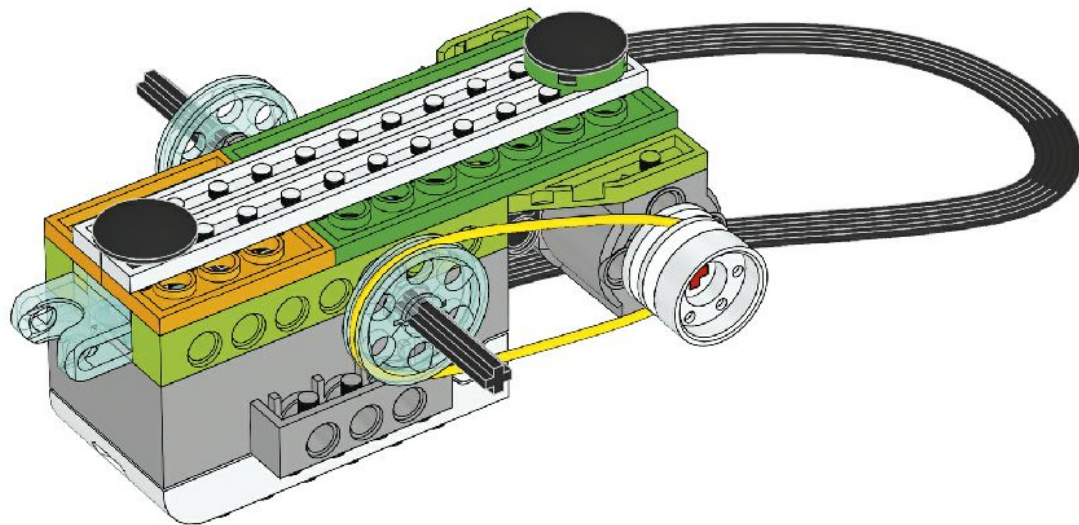
ИССЛЕДУЙ ● ●

СОЗДАВАЙ ● ● ● ●

ДЕЛИСЬ РЕЗУЛЬТАТАМИ ● ●



21

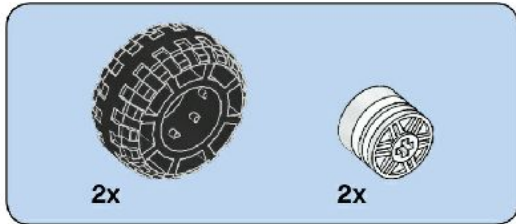




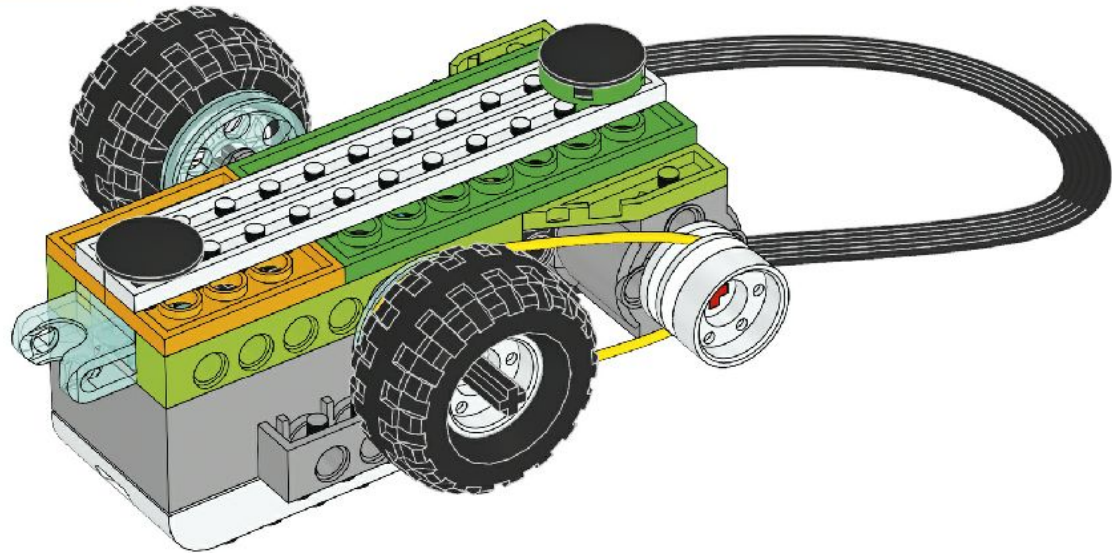
ИССЛЕДУЙ ● ●

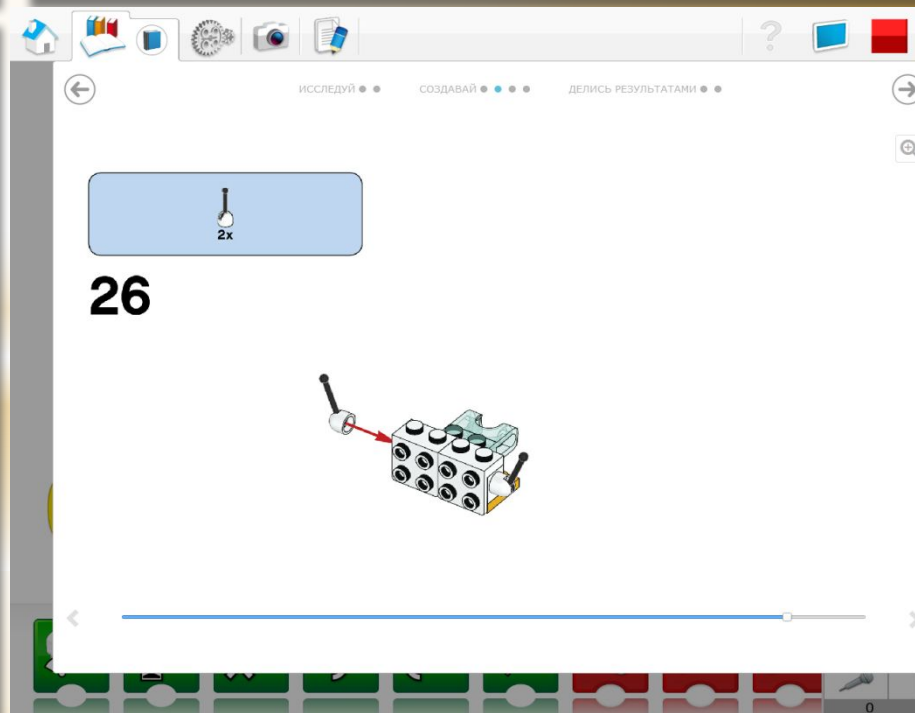
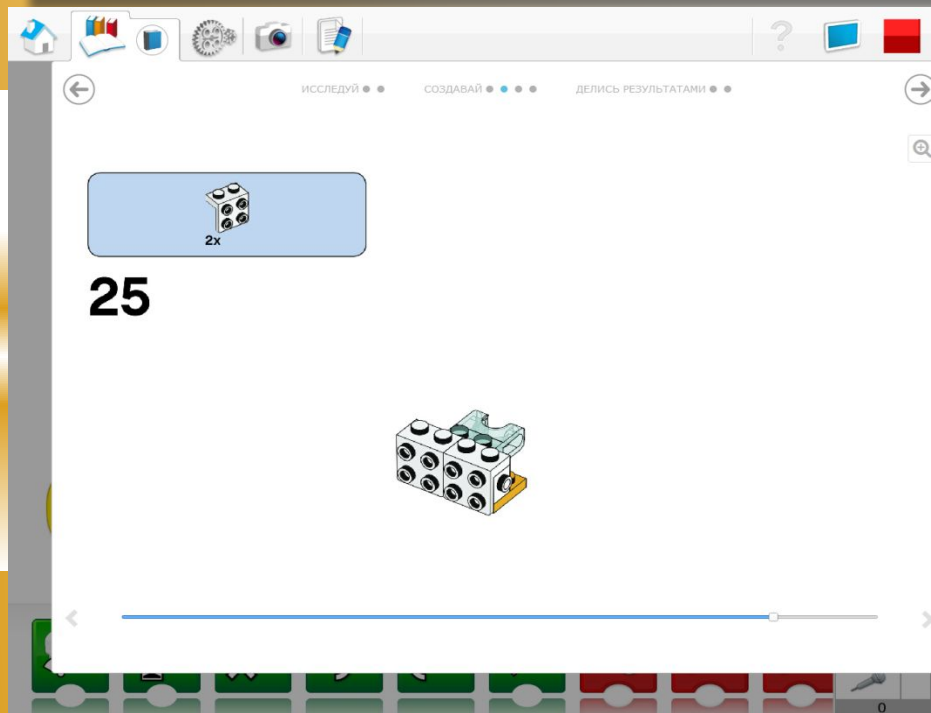
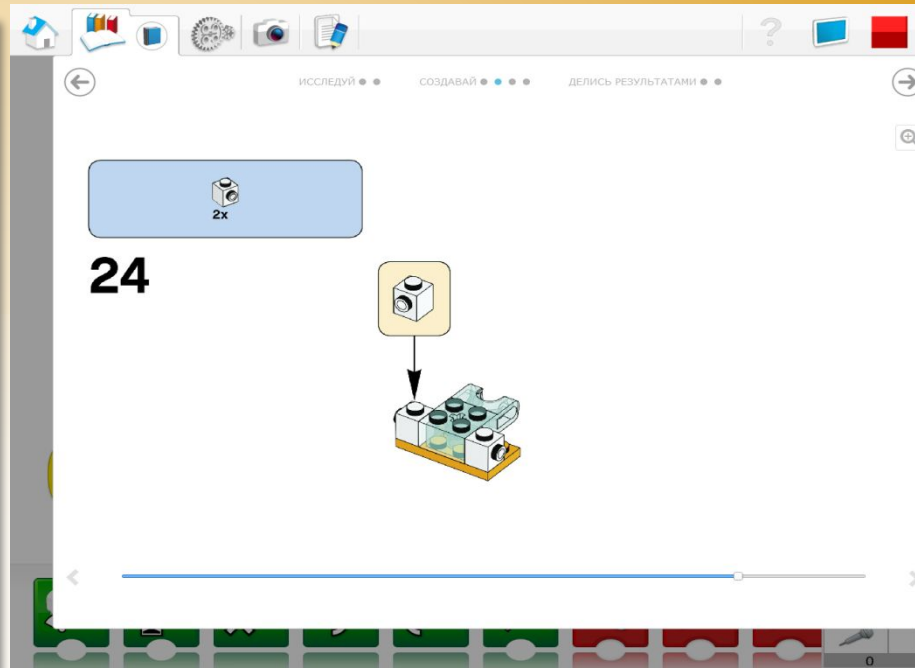
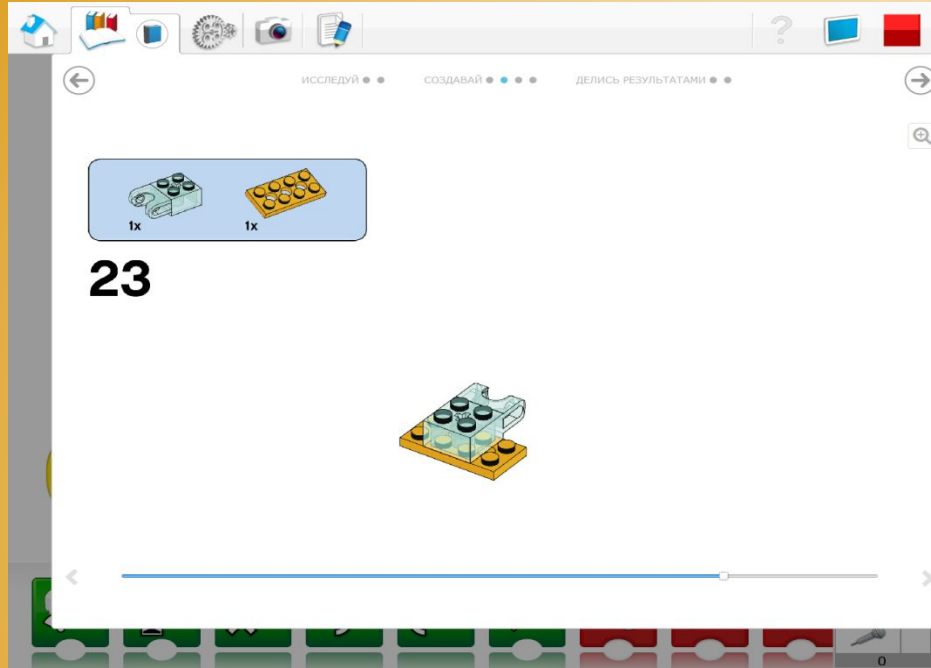
СОЗДАВАЙ ● ● ● ● ●

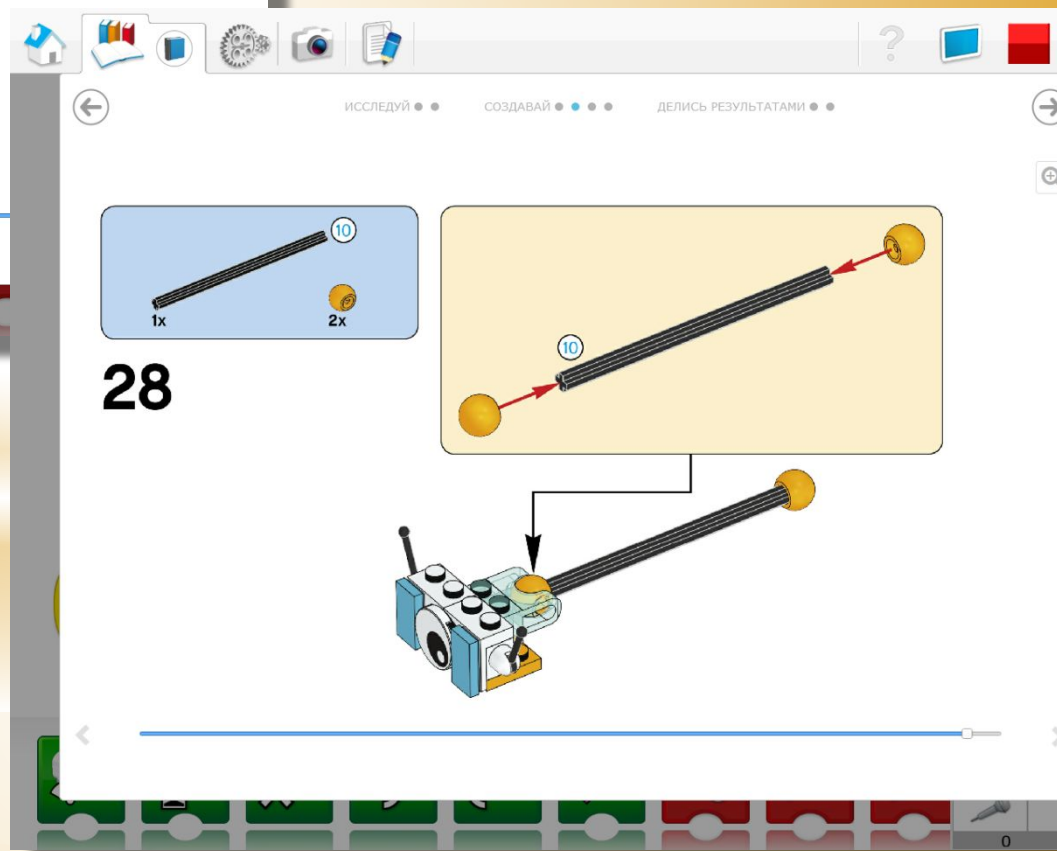
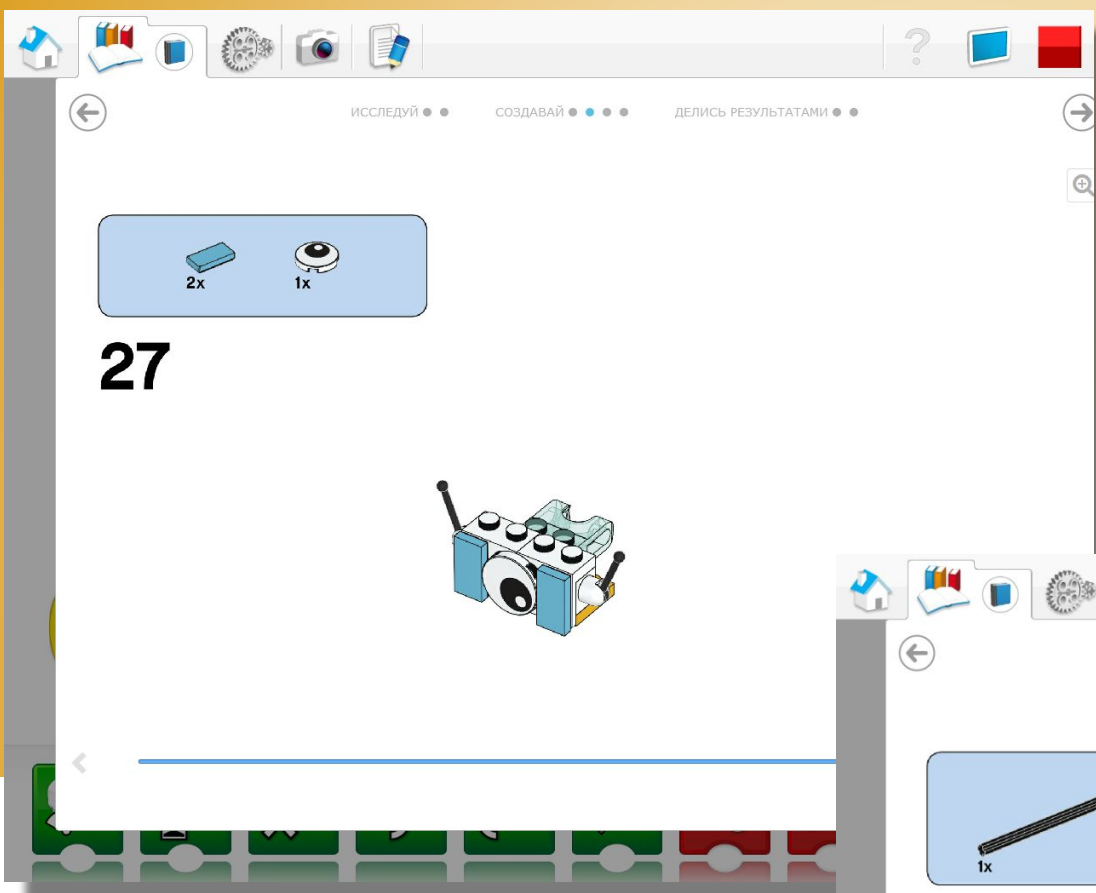
ДЕЛИСЬ РЕЗУЛЬТАТАМИ ● ●



22









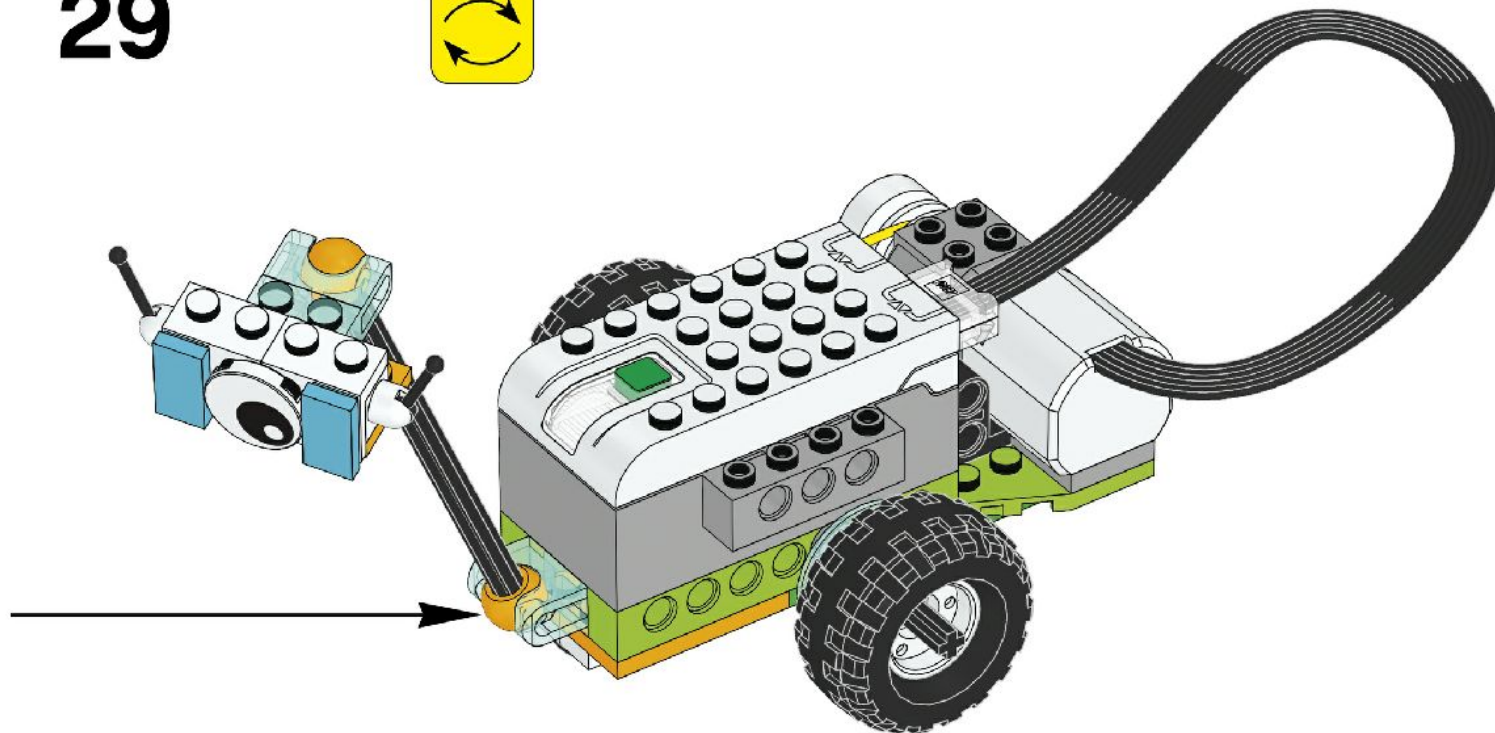
ИССЛЕДУЙ ● ●

СОЗДАВАЙ ● ● ● ●

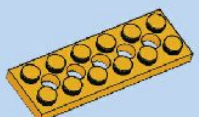
ДЕЛИСЬ РЕЗУЛЬТАТАМИ ● ●



29

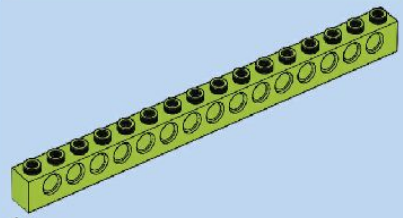
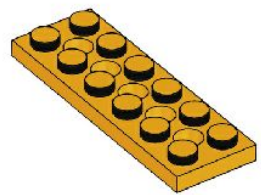


ФИЗКУЛЬТМИНУТКА



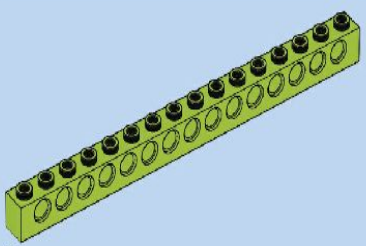
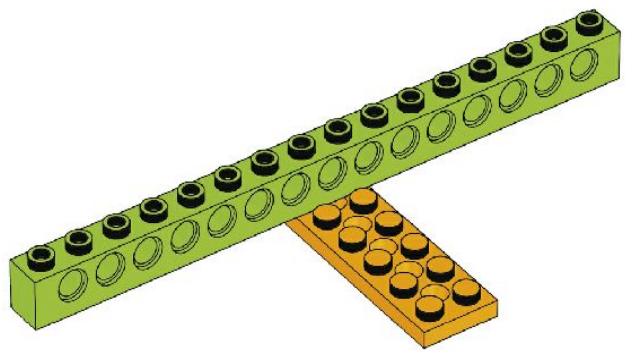
1x

2



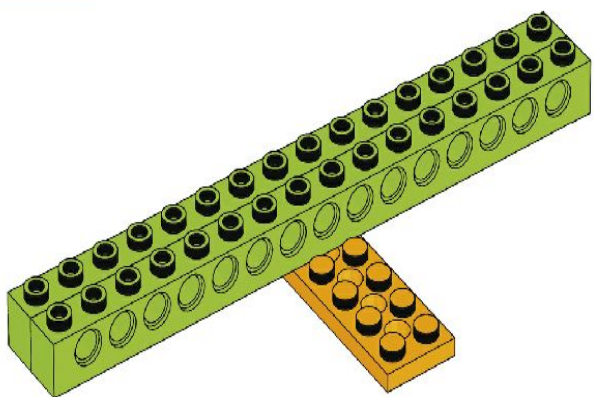
1x

3



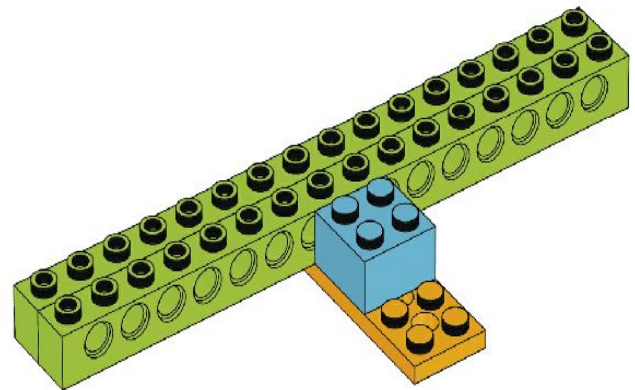
1x

4



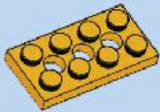
1x

5



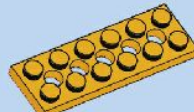
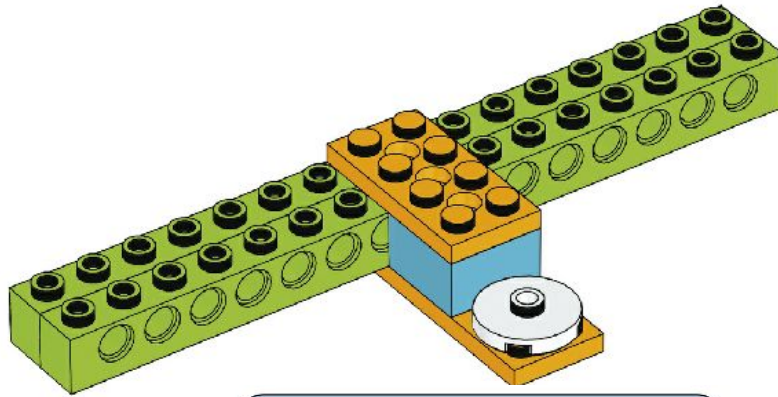


1x



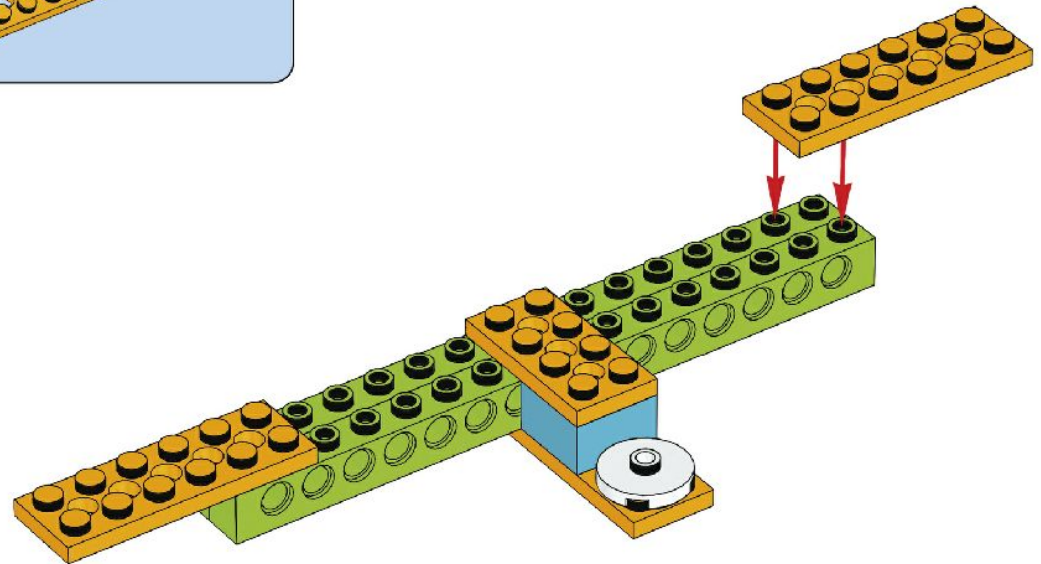
1x

6

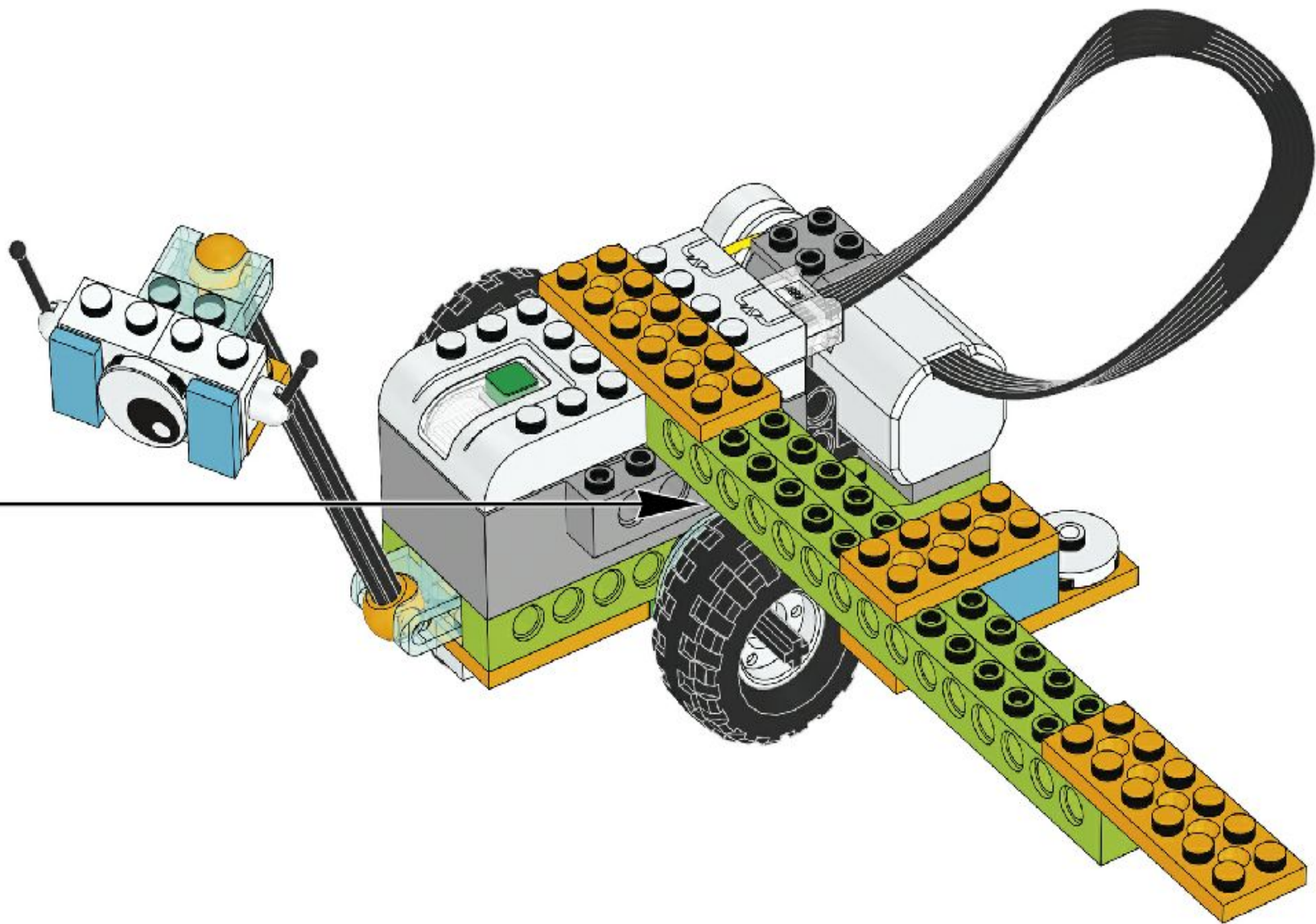


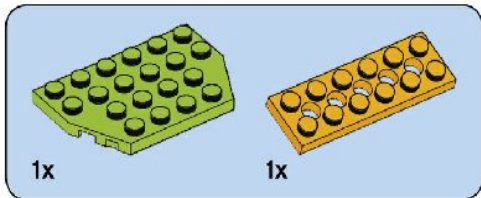
2x

7

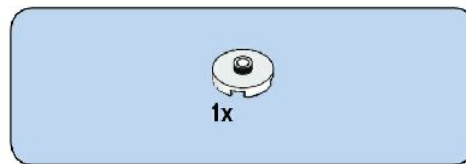
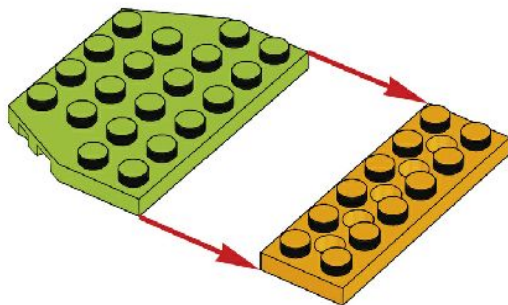


8

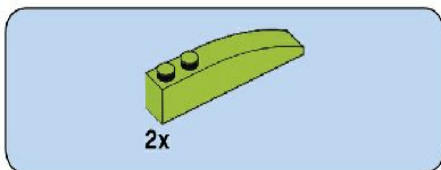
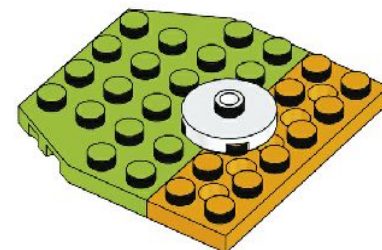




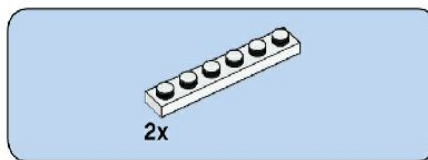
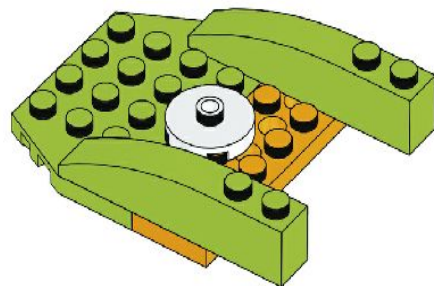
9



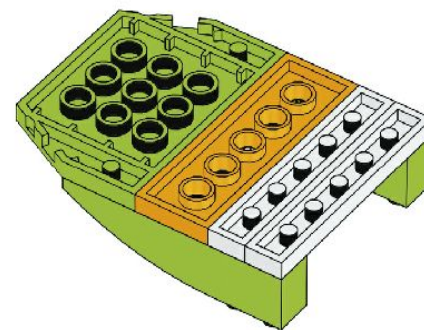
10



11



12



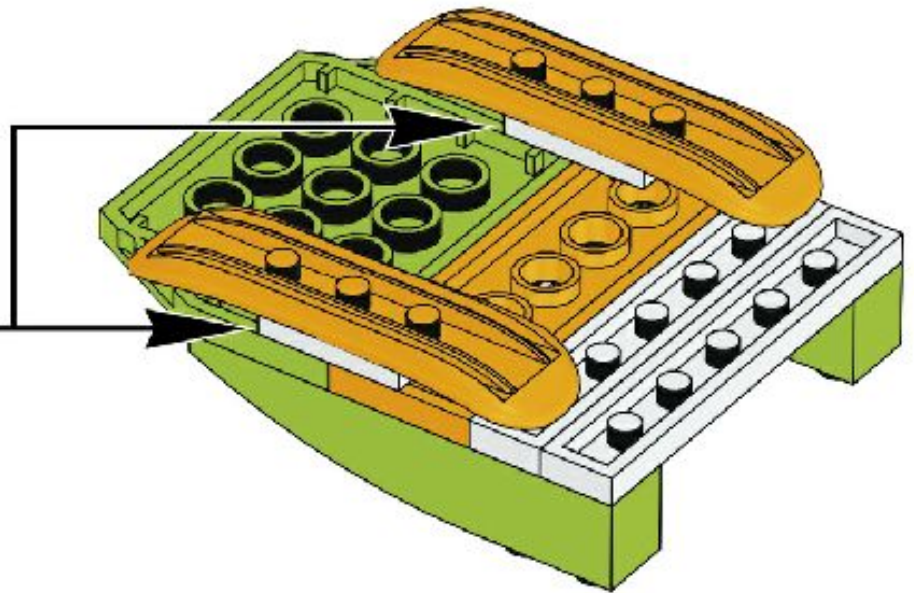
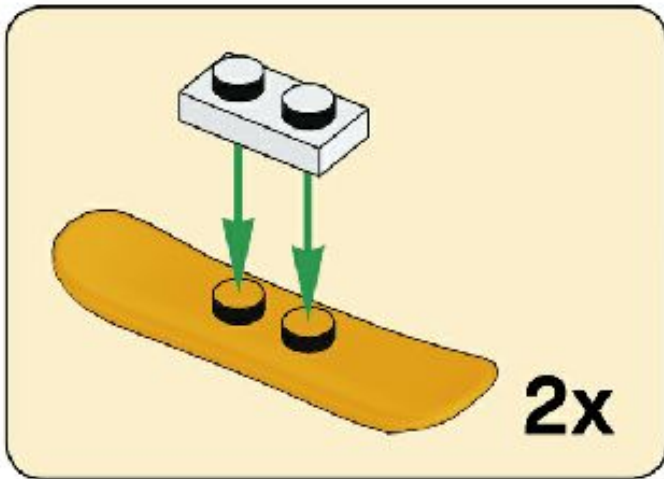


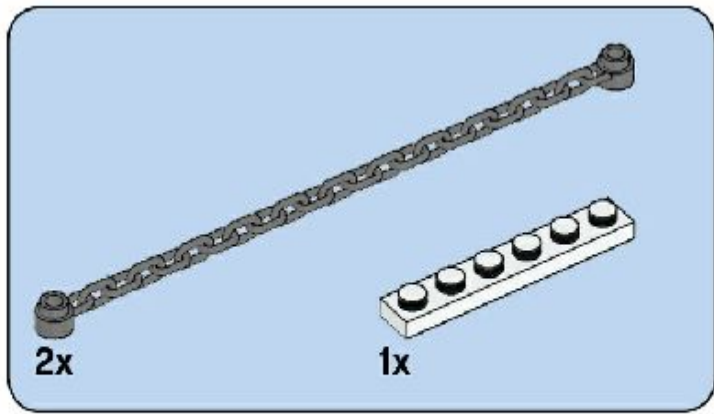
2x



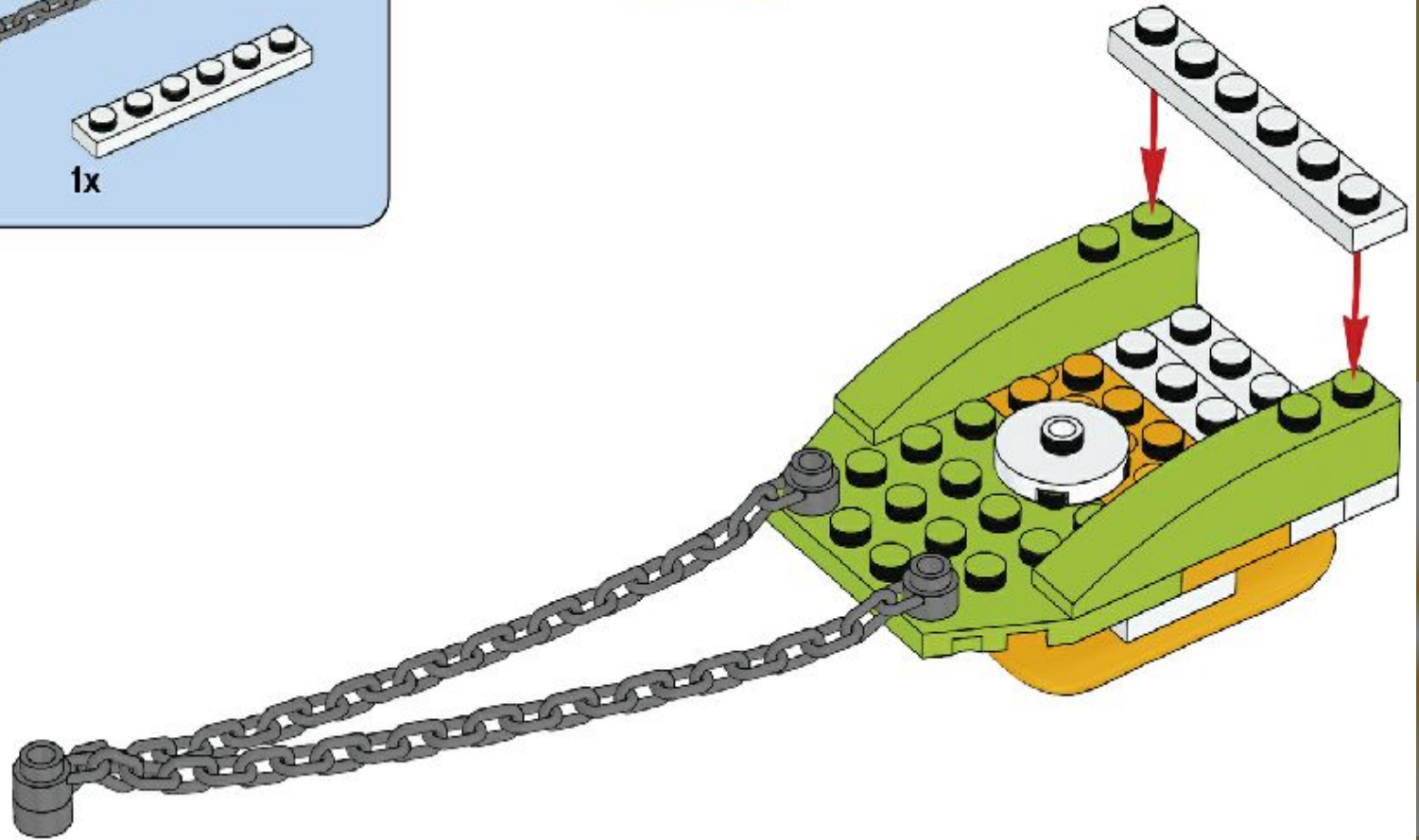
2x

13

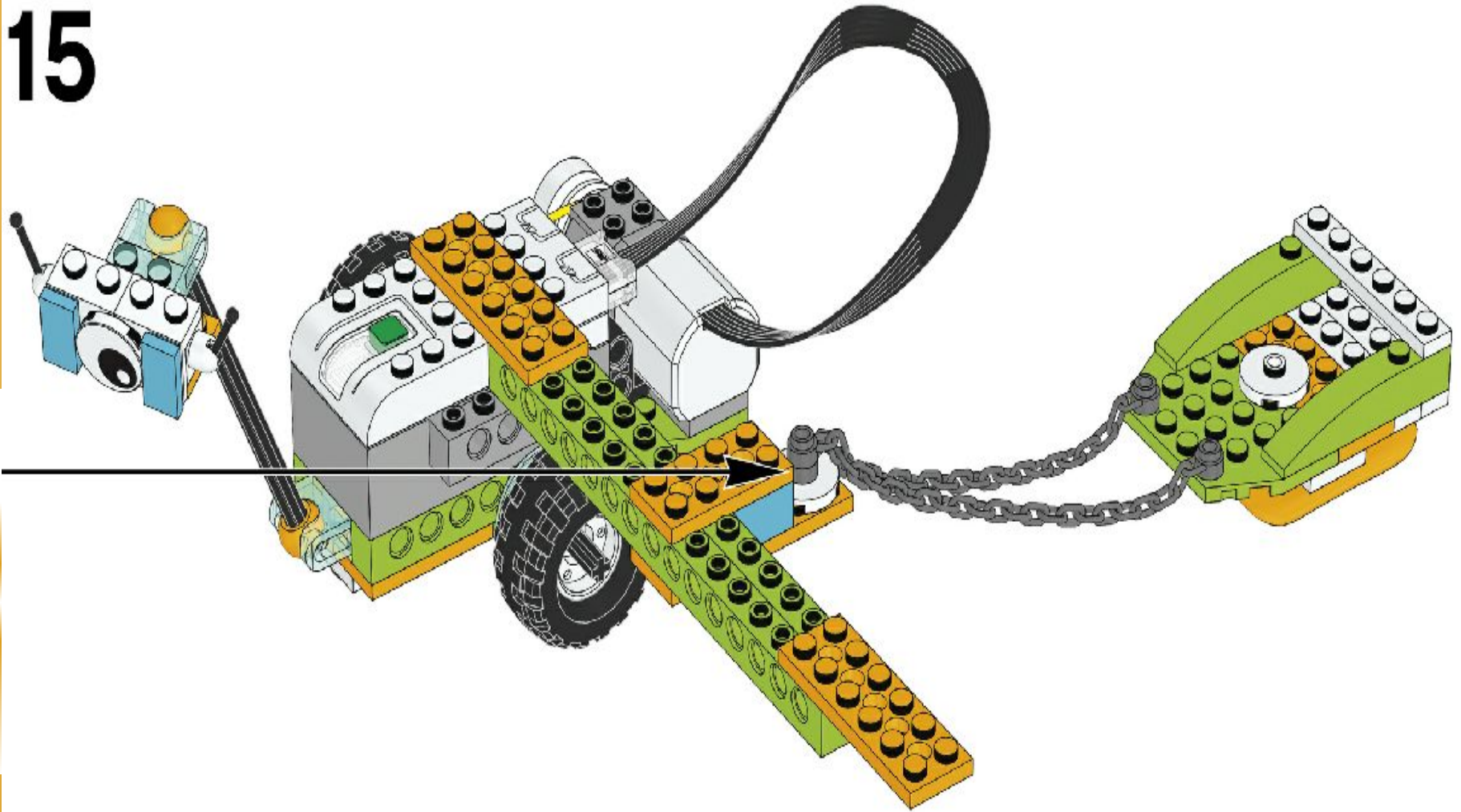




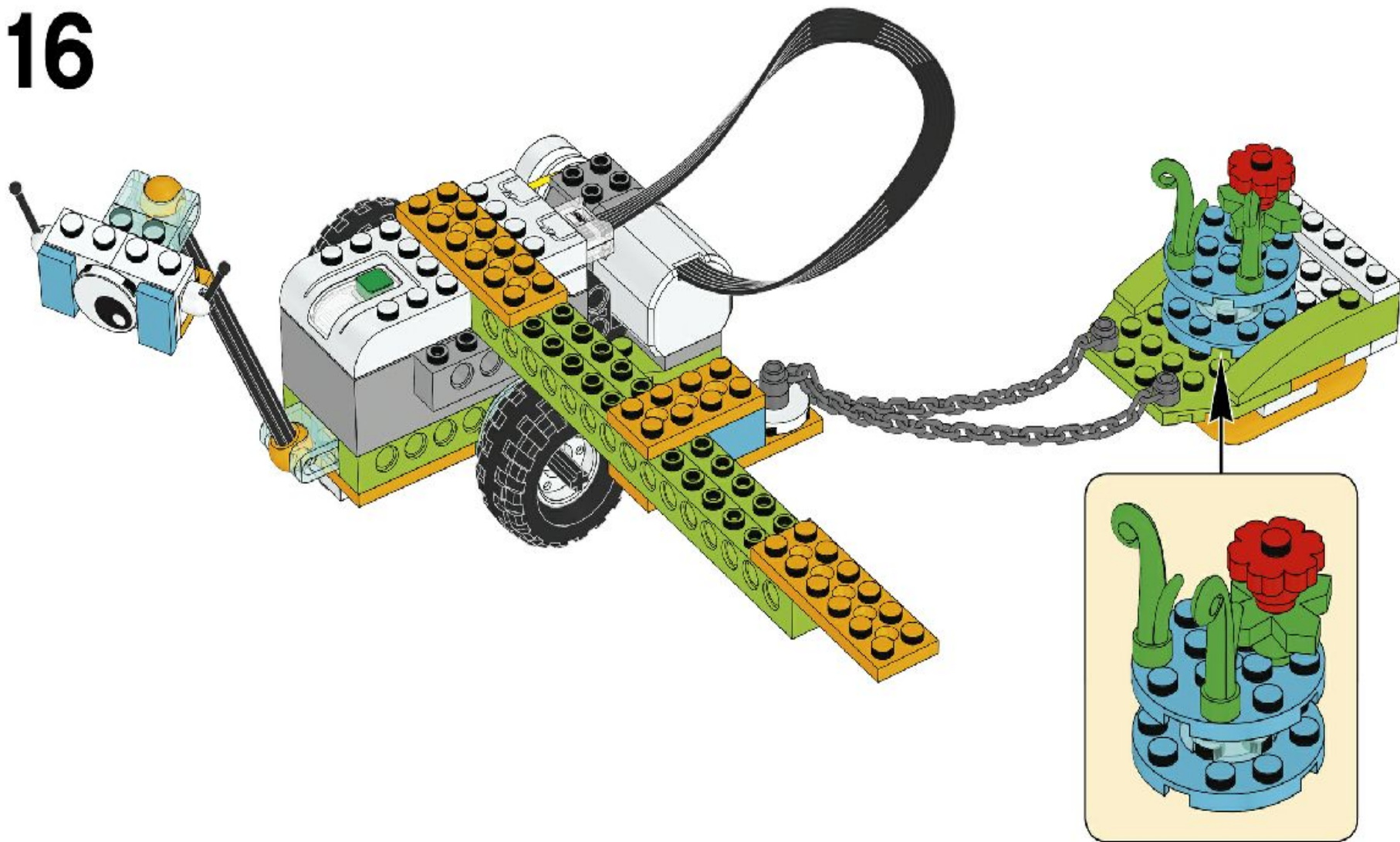
14



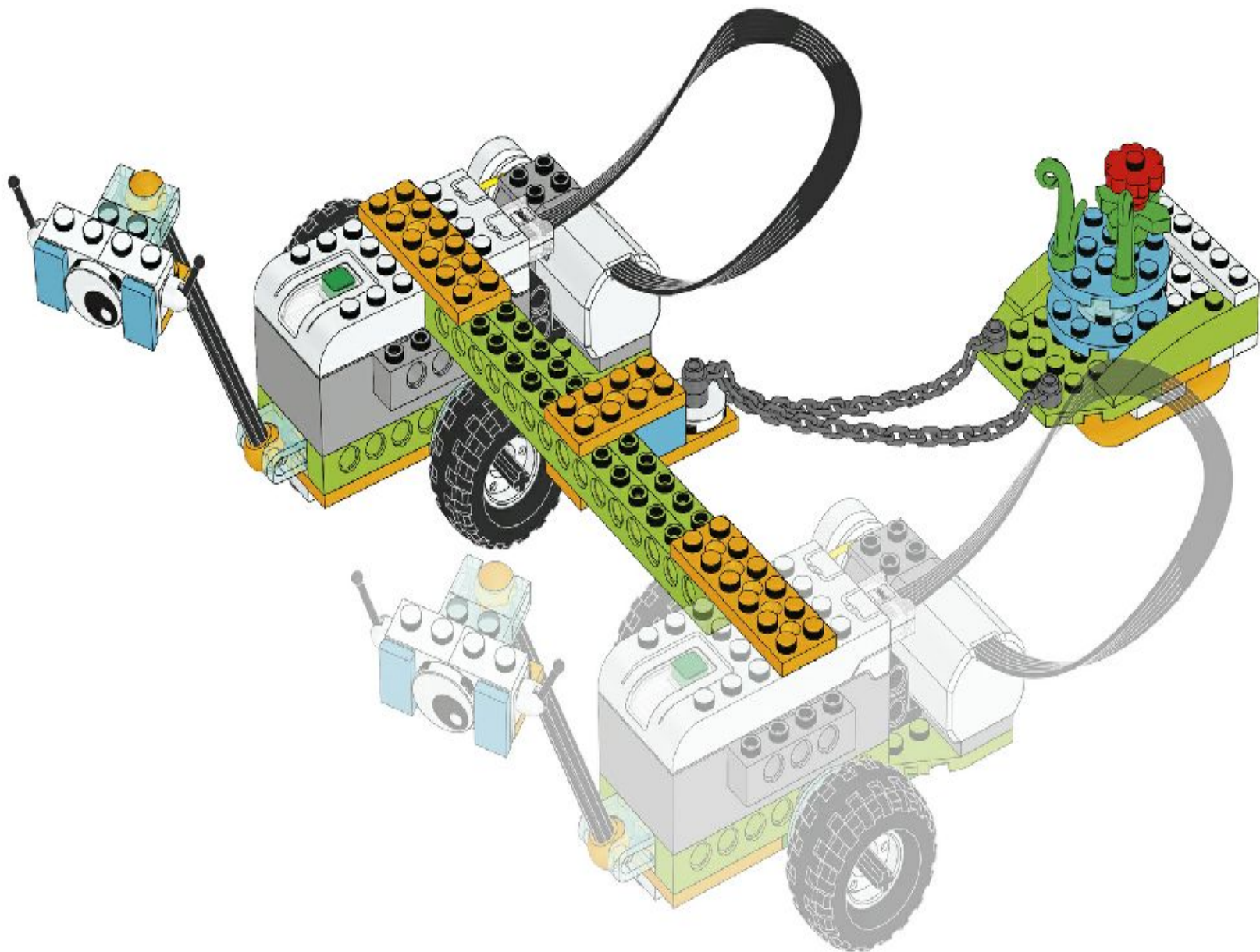
15



16



17



A sequence of four icons on a green background: a yellow play button, a grey robot head with a circular arrow, a grey robot head with a hand cursor, and a grey robot head with an hourglass. Below the hand cursor icon is a blue-bordered box containing the number 8. Below the hourglass icon is a blue-bordered box containing the number 2.

A sequence of two icons on a green background: a yellow play button and a grey robot head with a large white 'X' over it.



Row 1: A sequence of 8 icons. The first icon is a yellow square with a grey key labeled 'A'. The remaining seven icons are green squares, each containing a grey computer mouse. The second mouse has a white arrow pointing down. The third mouse has a white circular arrow. The fourth mouse has a white hourglass. The fifth mouse is on a red square with a white musical note. The sixth mouse has a white circular arrow. The seventh mouse has a white hourglass. The eighth mouse has a white 'X'. Below the second mouse is a blue box with the number '1'. Below the fourth mouse is a blue box with the number '2'. Below the fifth mouse is a blue box with the number '1'. Below the seventh mouse is a blue box with a white die showing 5, 2, and 1.

Row 2: A sequence of 8 icons. The first icon is a yellow square with a grey key labeled 'A'. The remaining seven icons are green squares, each containing a grey computer mouse. The second mouse has a white arrow pointing down. The third mouse has a white circular arrow. The fourth mouse has a white hourglass. The fifth mouse is on a red square with a white musical note. The sixth mouse has a white circular arrow. The seventh mouse has a white hourglass. The eighth mouse has a white 'X'. Below the second mouse is a blue box with the number '1'. Below the fourth mouse is a blue box with the number '3'. Below the fifth mouse is a blue box with the number '4'. Below the seventh mouse is a blue box with a white die showing 5, 2, and 1.

J

3

4

Die showing 5, 2, and 1

**Разбираем конструктор,
аккуратно укладываем
детали в ячейки, проверяем
все ли детали на месте.**

До новых встреч!