

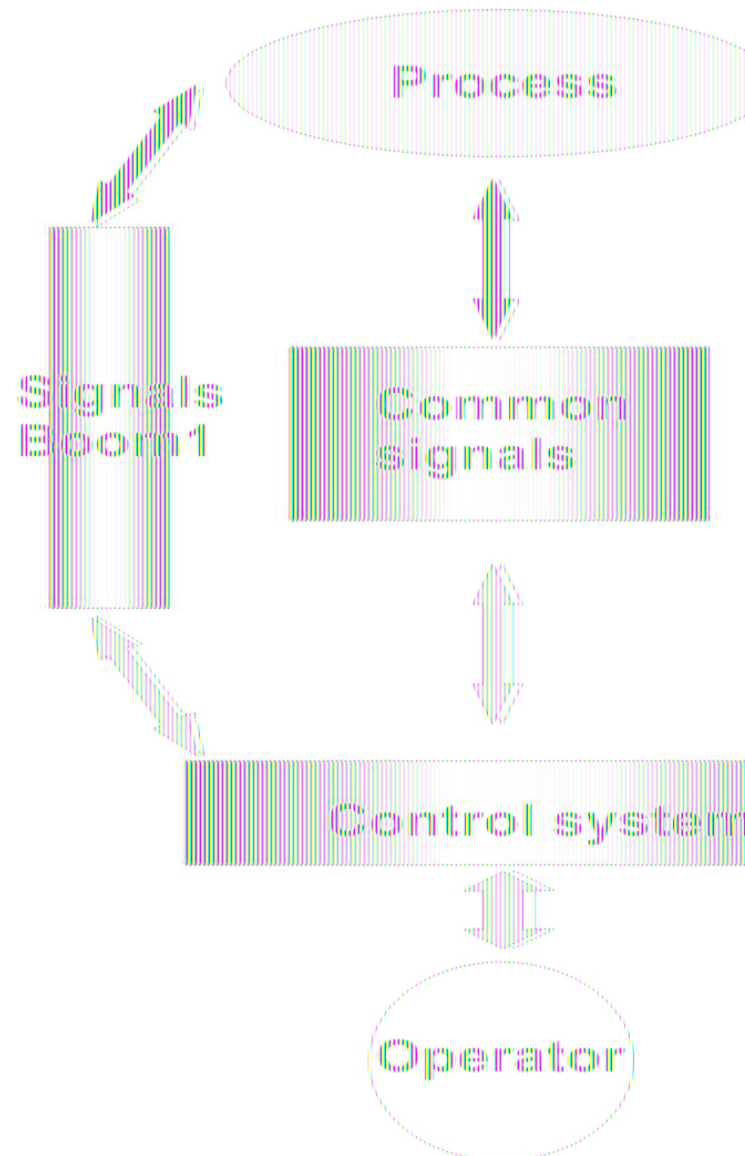
Input & Output signals



Exercise

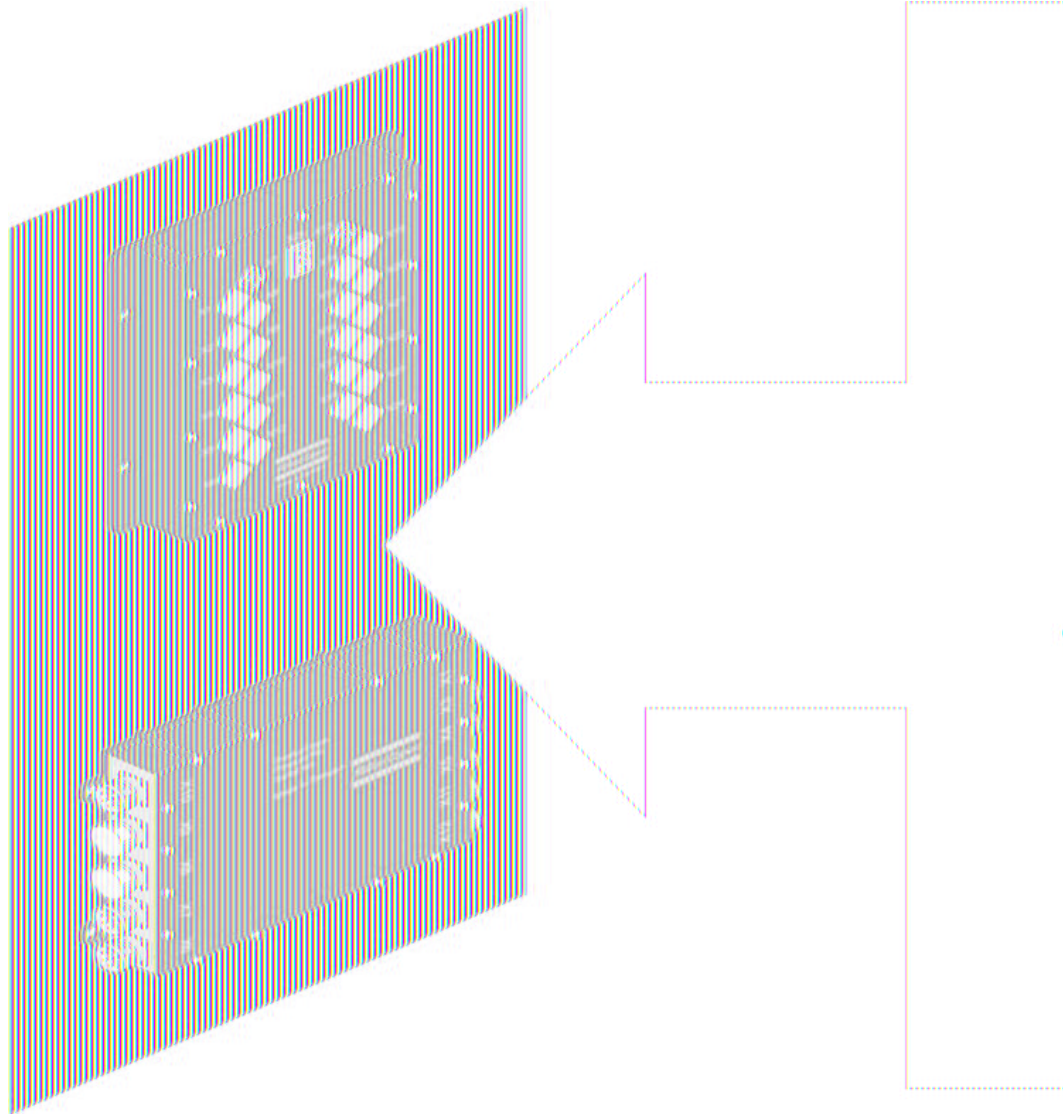
Input & output signals

Process control



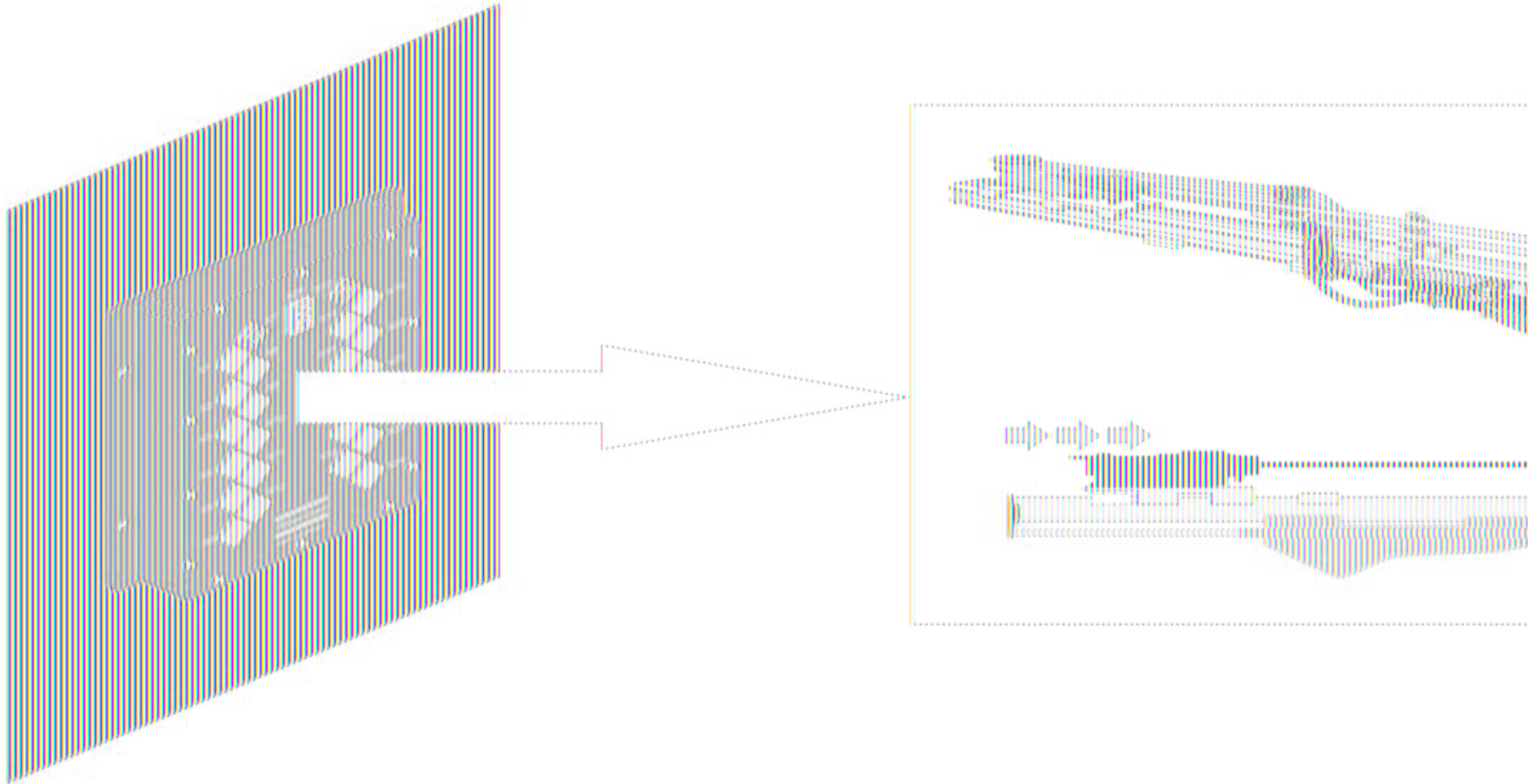
Input & output signals

Input signals



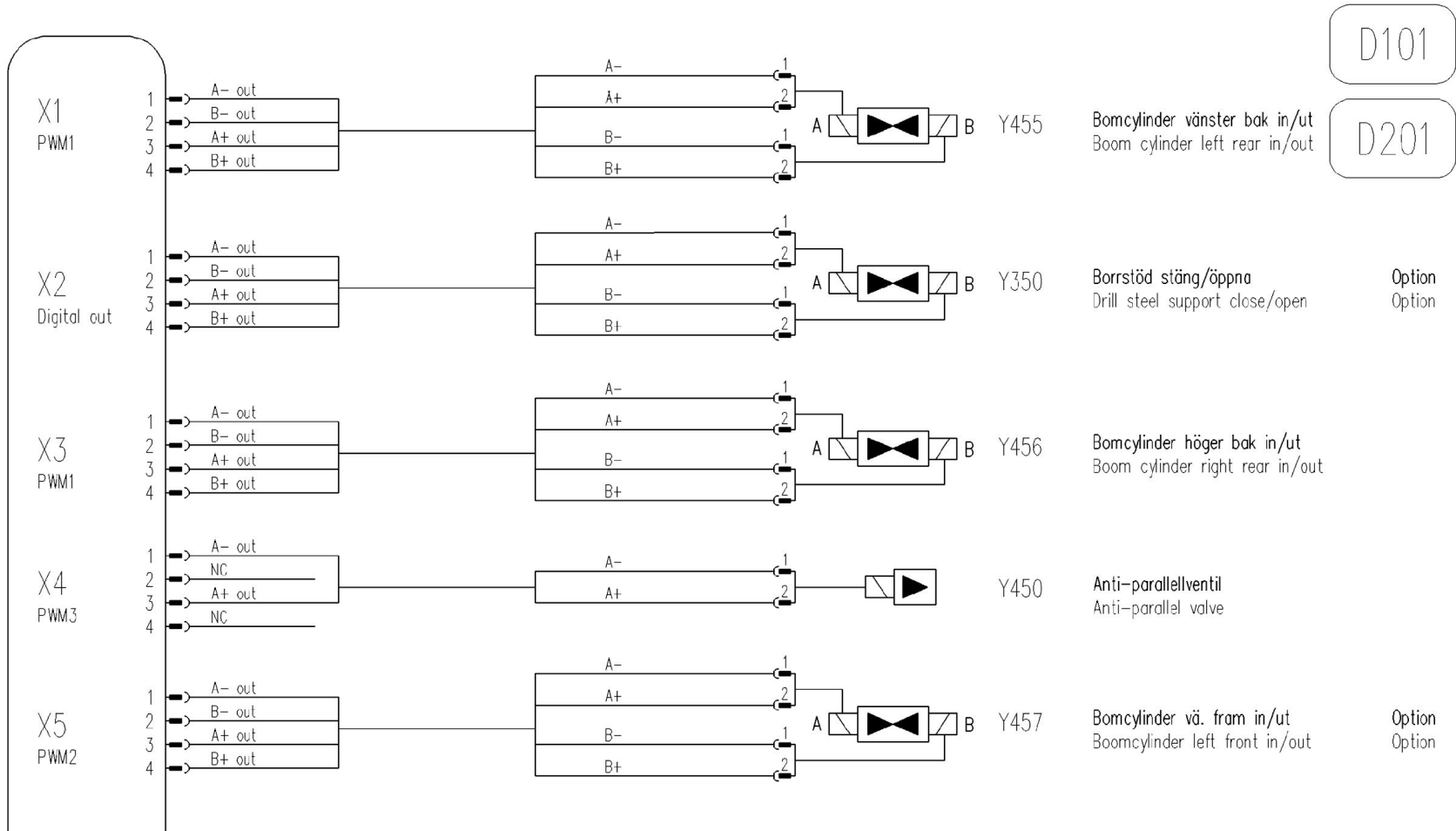
Input & output signals

Output signals



Input & output signals

Signal drawing



Exercise

- Overleaf is the beginning of a signal list. Your task is to complete the list with the signals given below. This is what to do: fill in a number of columns using the lists and diagrams in the maintenance instructions.

<i>Colum n</i>	<i>Fill in</i>
Contac t	fill in (e.g. X8)
Signal type	Fill in (e.g. PWM, Ain)
Signal des.	Write the designation of each respective signal in the diagram (e.g. B143, S133, Y456a, etc.).
Descrip tion	Given, see table below.
Module	The module the signal is coming from or going to (e.g. D510).

**We are committed to your
superior productivity through
interaction and innovation.**



Atlas Copco

