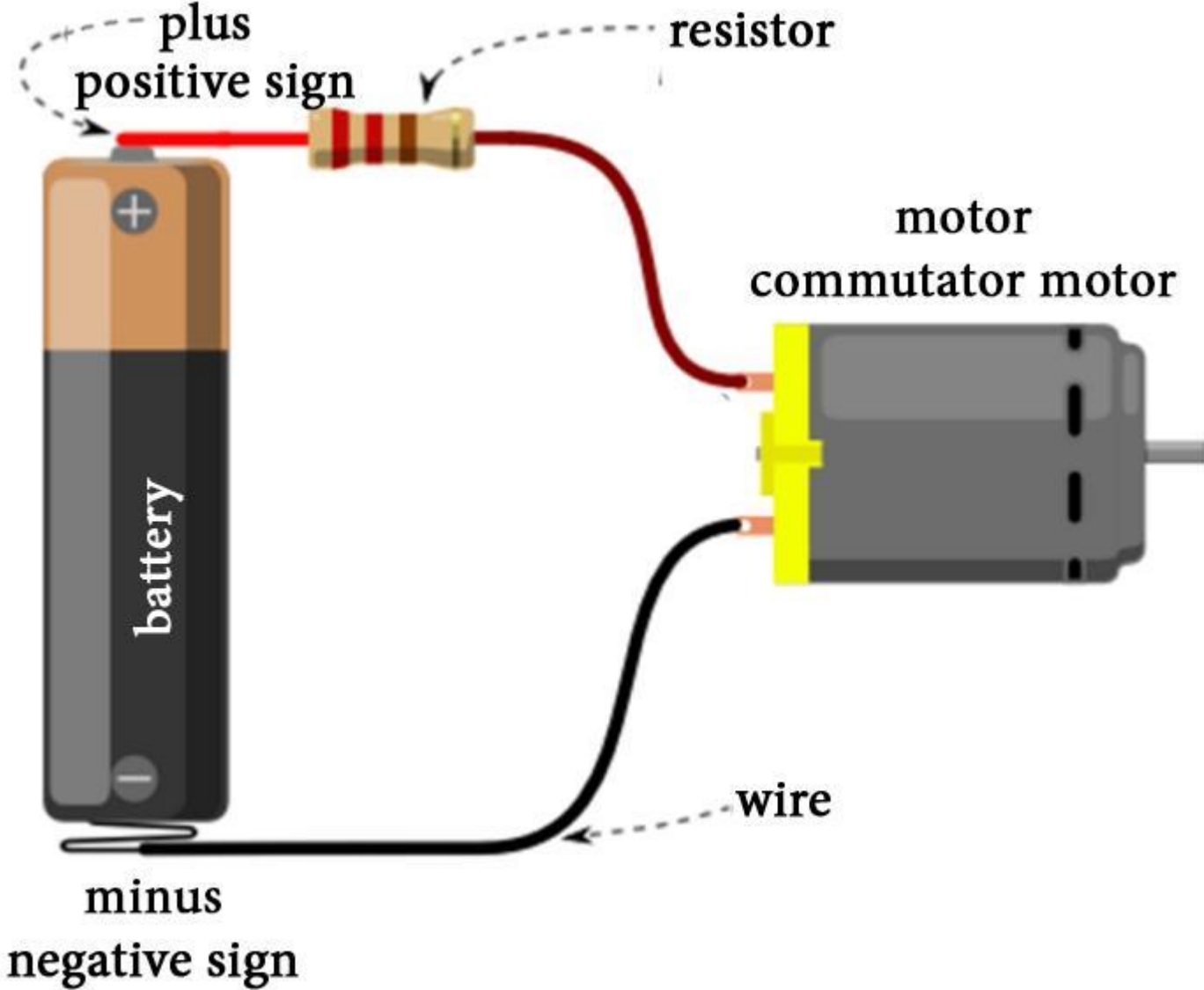


Arduino

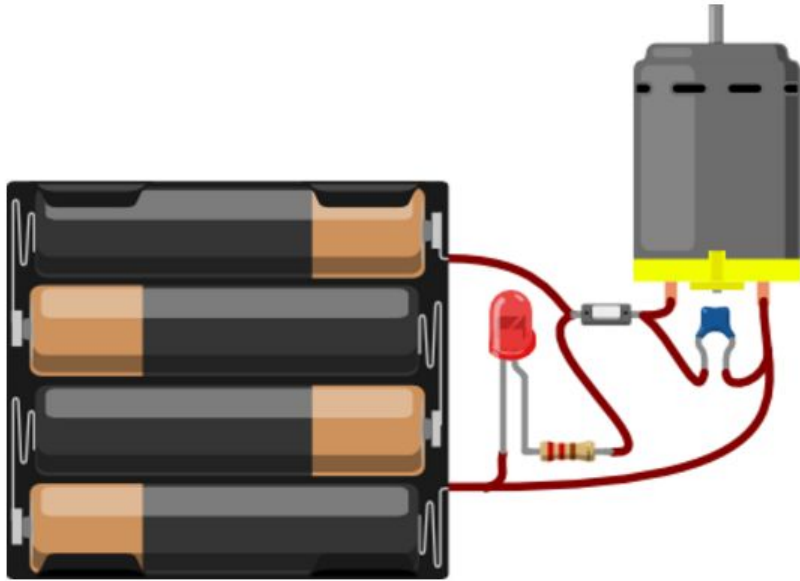
Lesson 2

14, 15 September

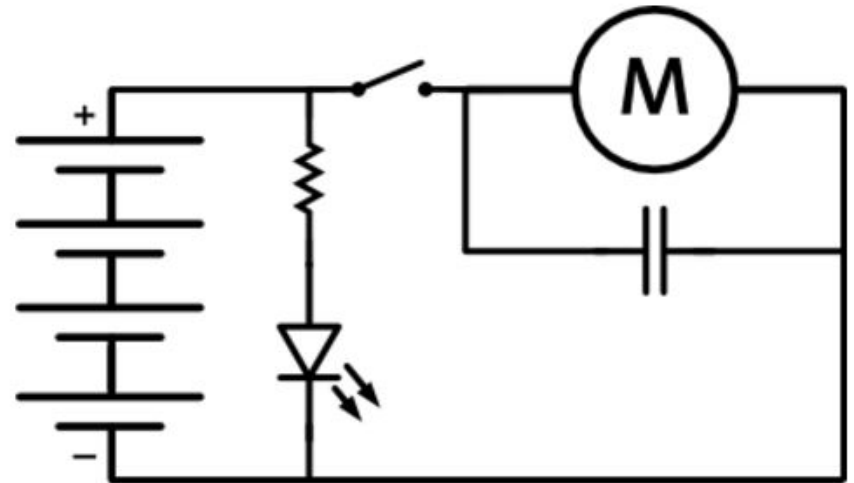
Electrical circuit



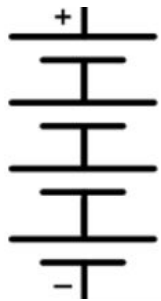
Painted scheme



Schematic scheme



Symbols



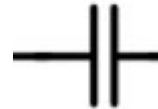
batteries



resistor



light-emitting diode



capacitor

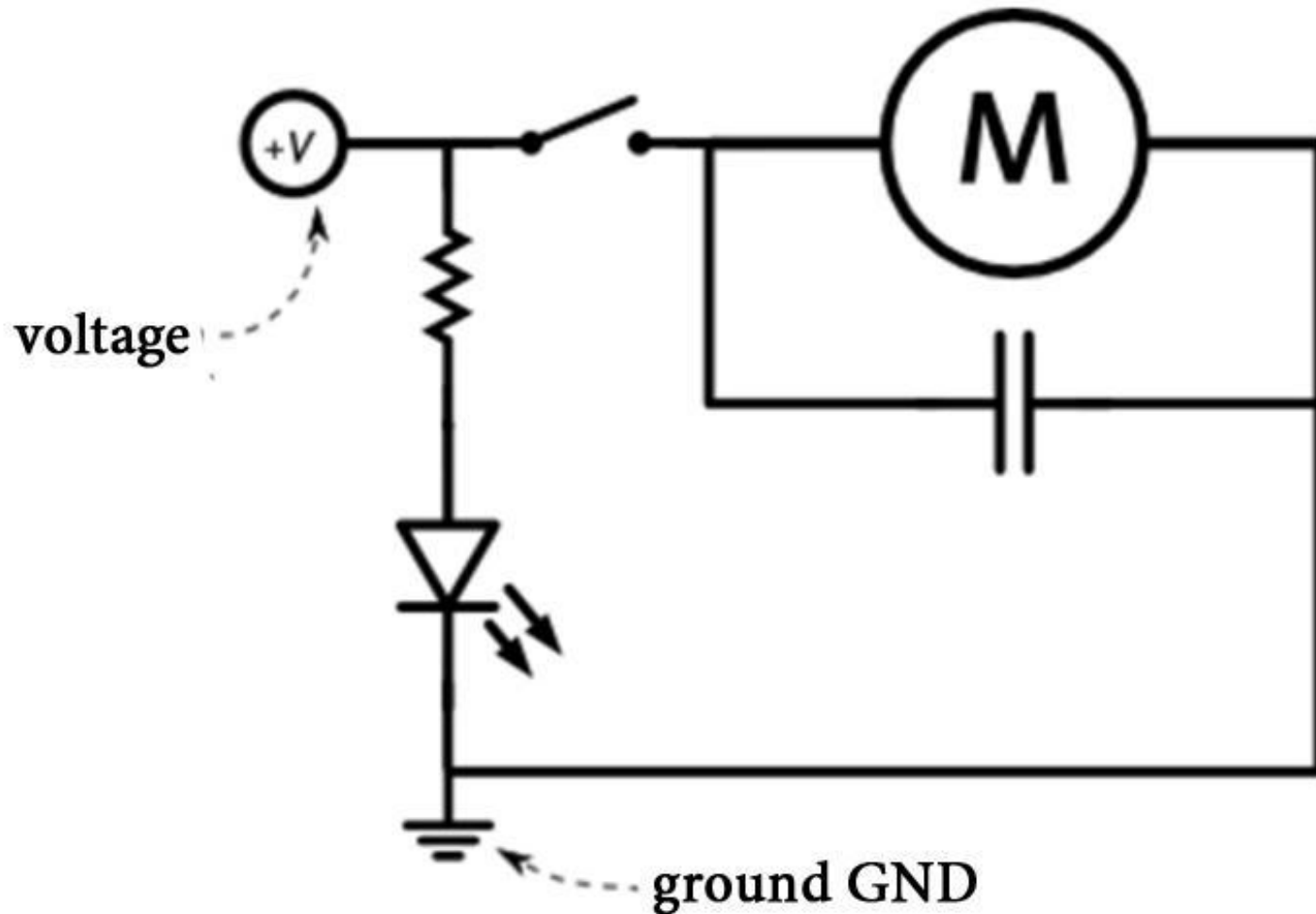


motor



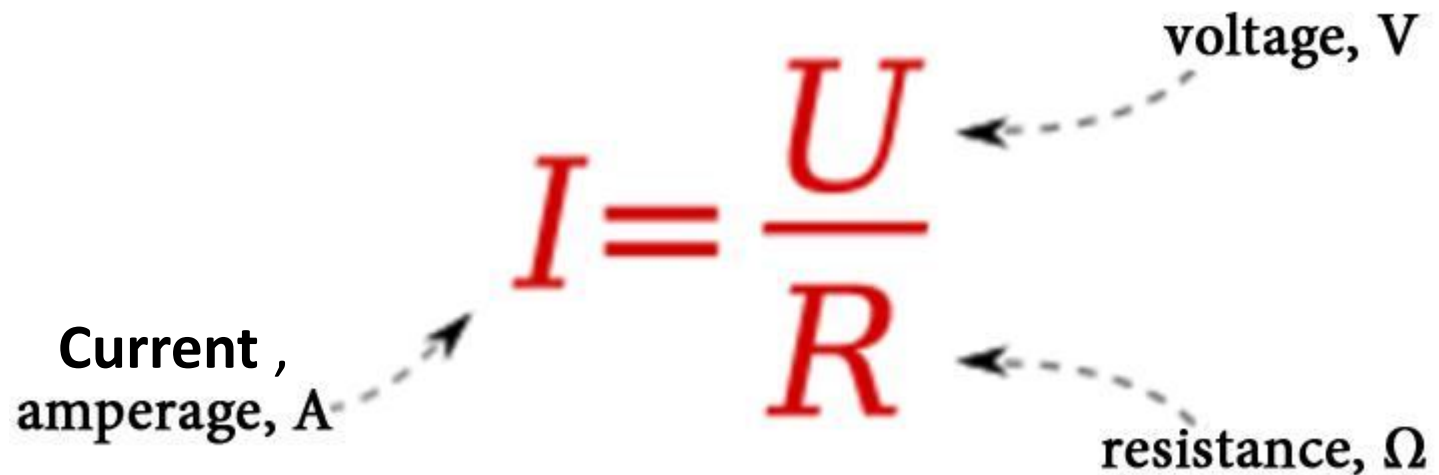
button

Schematic diagram of the power supply without the explicit



Ohm's law

Ohm's law — the main law of electricity



The diagram shows the equation $I = \frac{U}{R}$ in red. Three dashed arrows point from text labels to the variables in the equation: one from 'Current, amperage, A' to 'I', one from 'voltage, V' to 'U', and one from 'resistance, Ω' to 'R'.

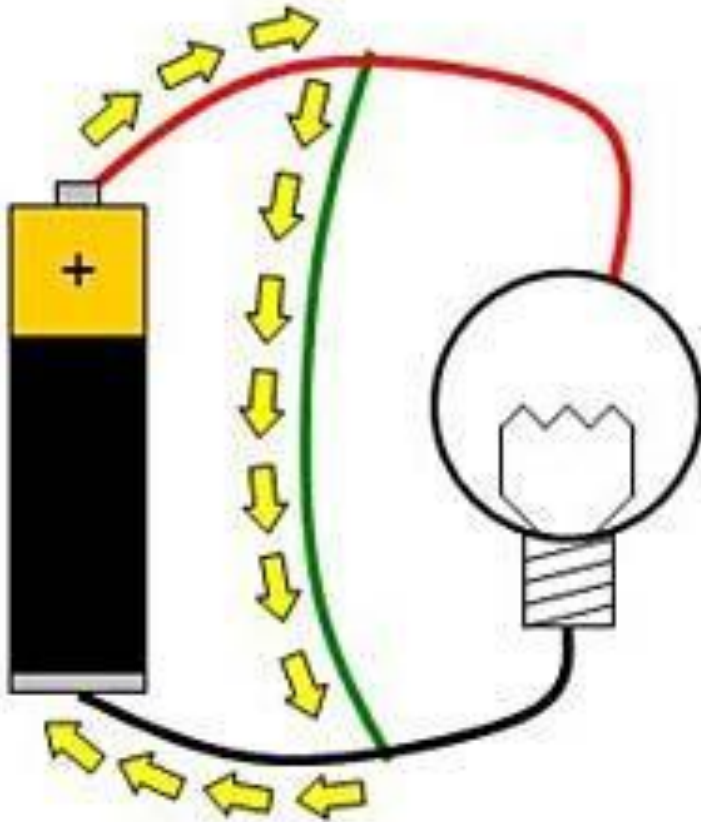
$$I = \frac{U}{R}$$

Current, amperage, A

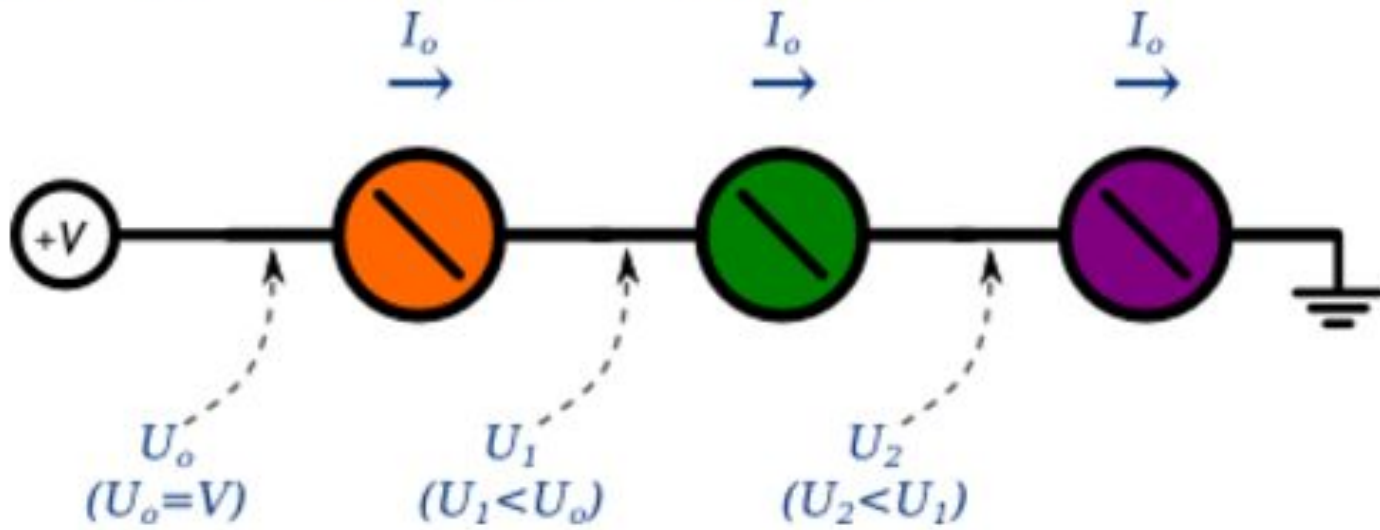
voltage, V

resistance, Ω

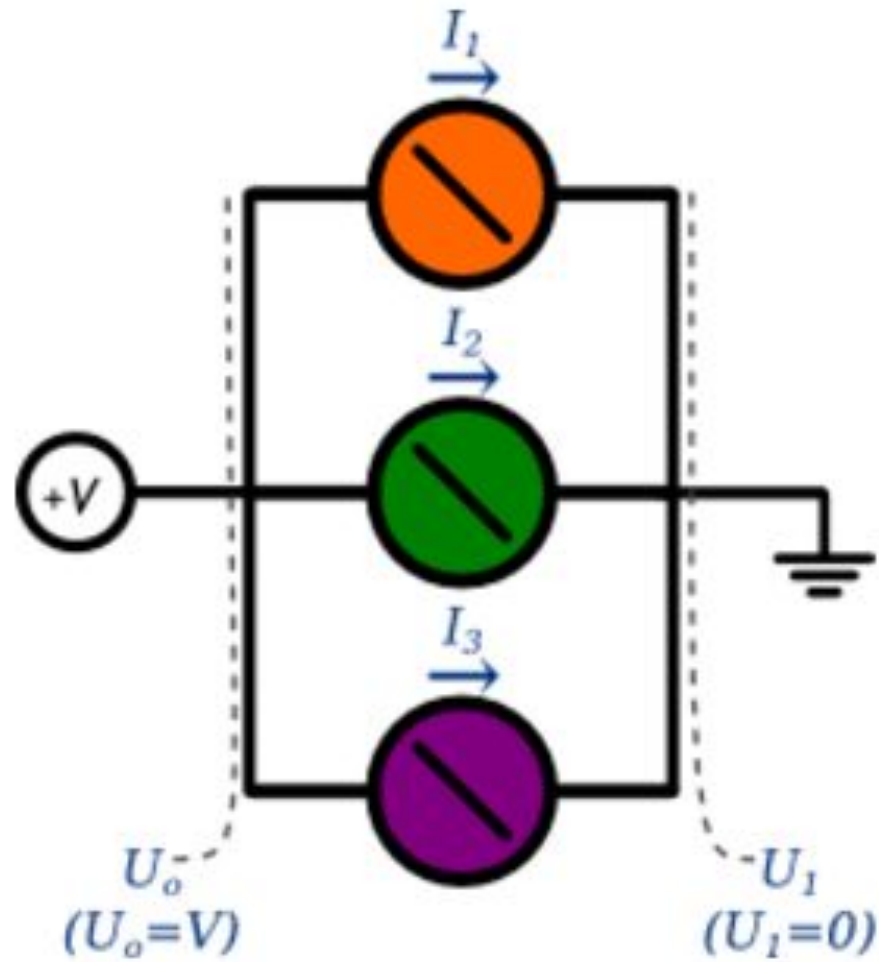
Short circuit



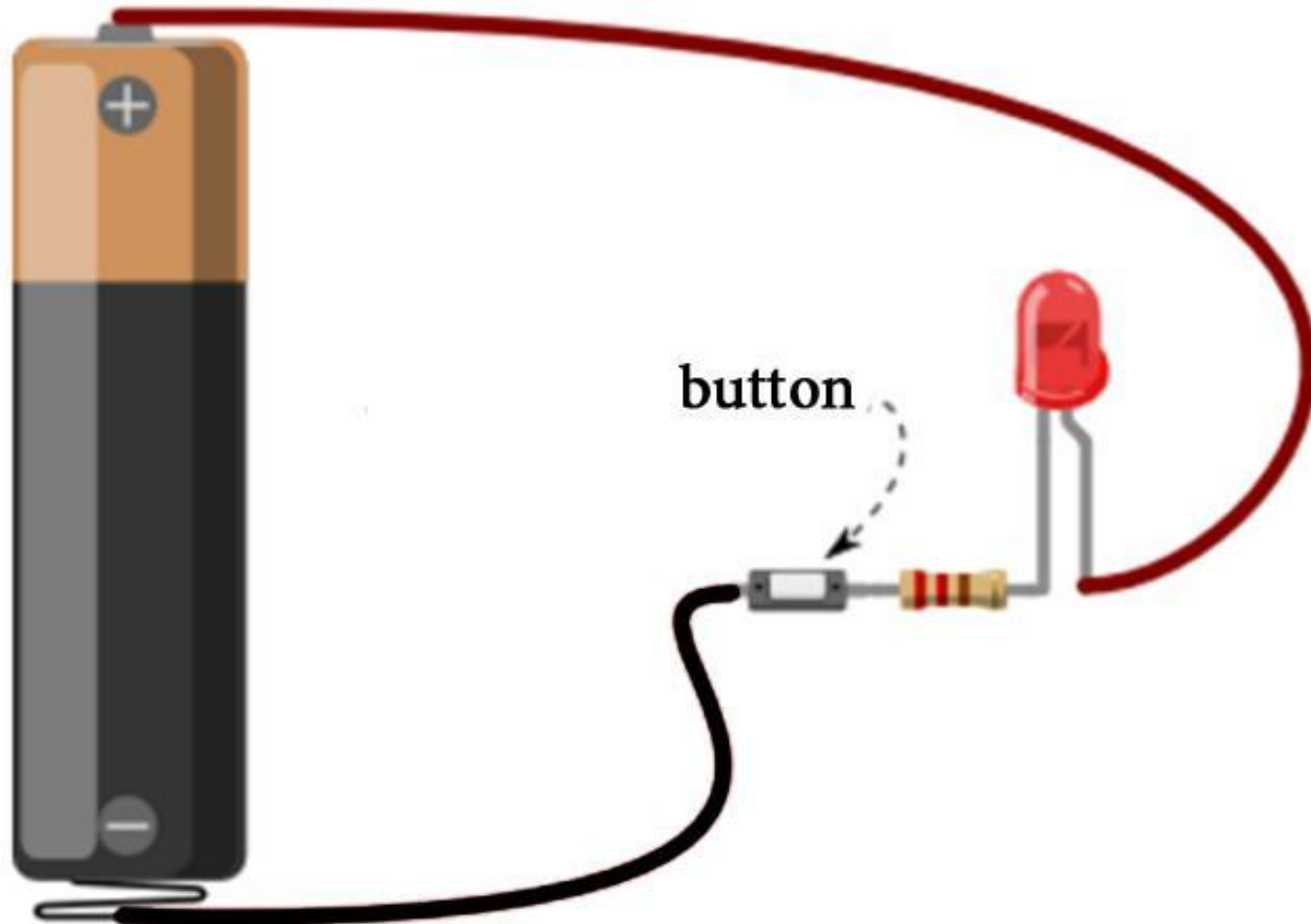
Series connection



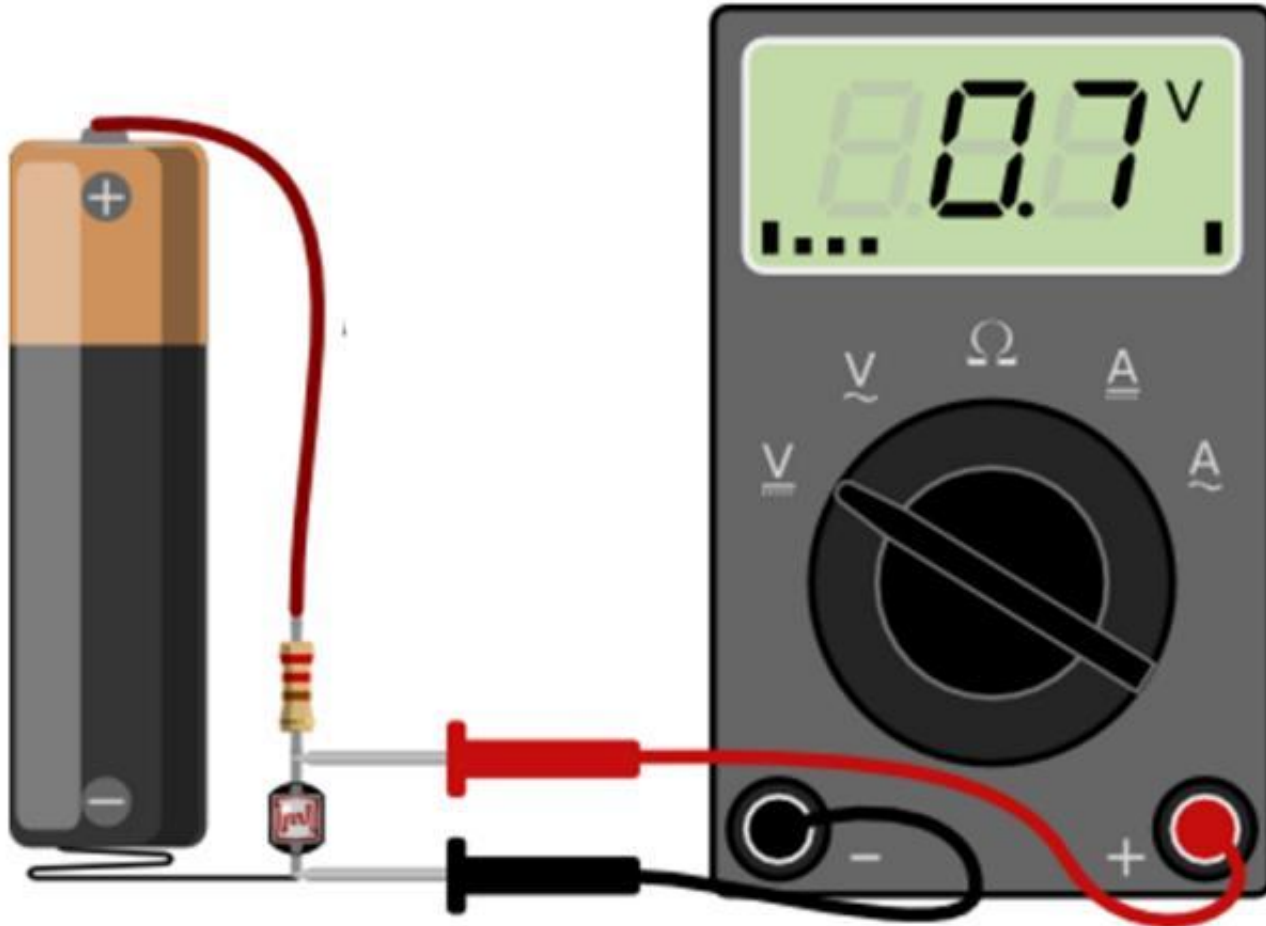
Parallel connection



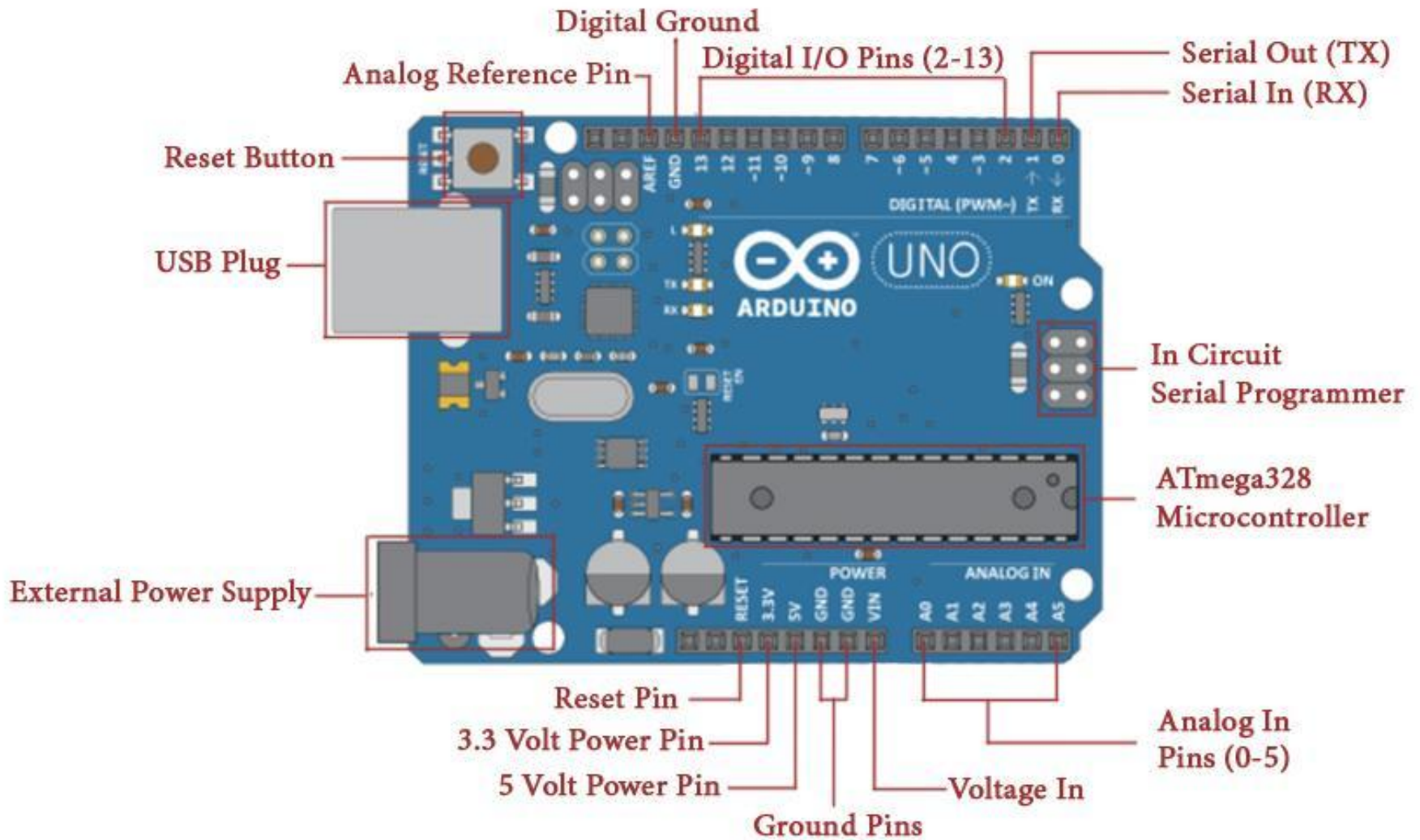
Manual control



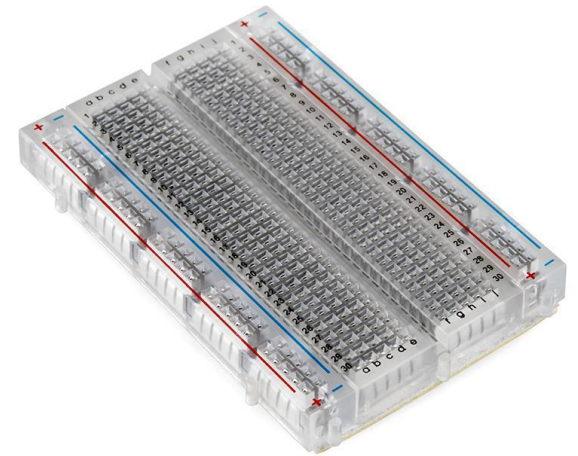
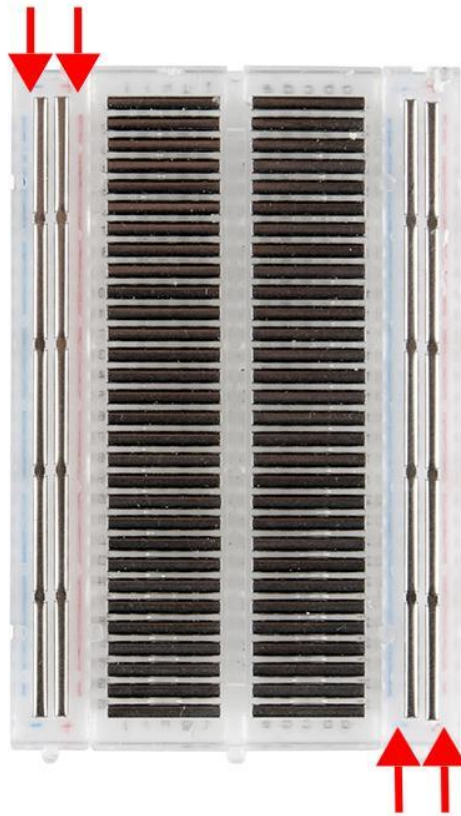
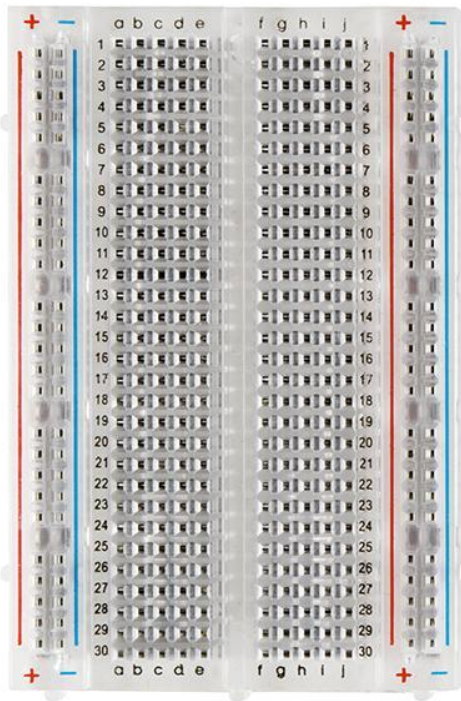
Meterage



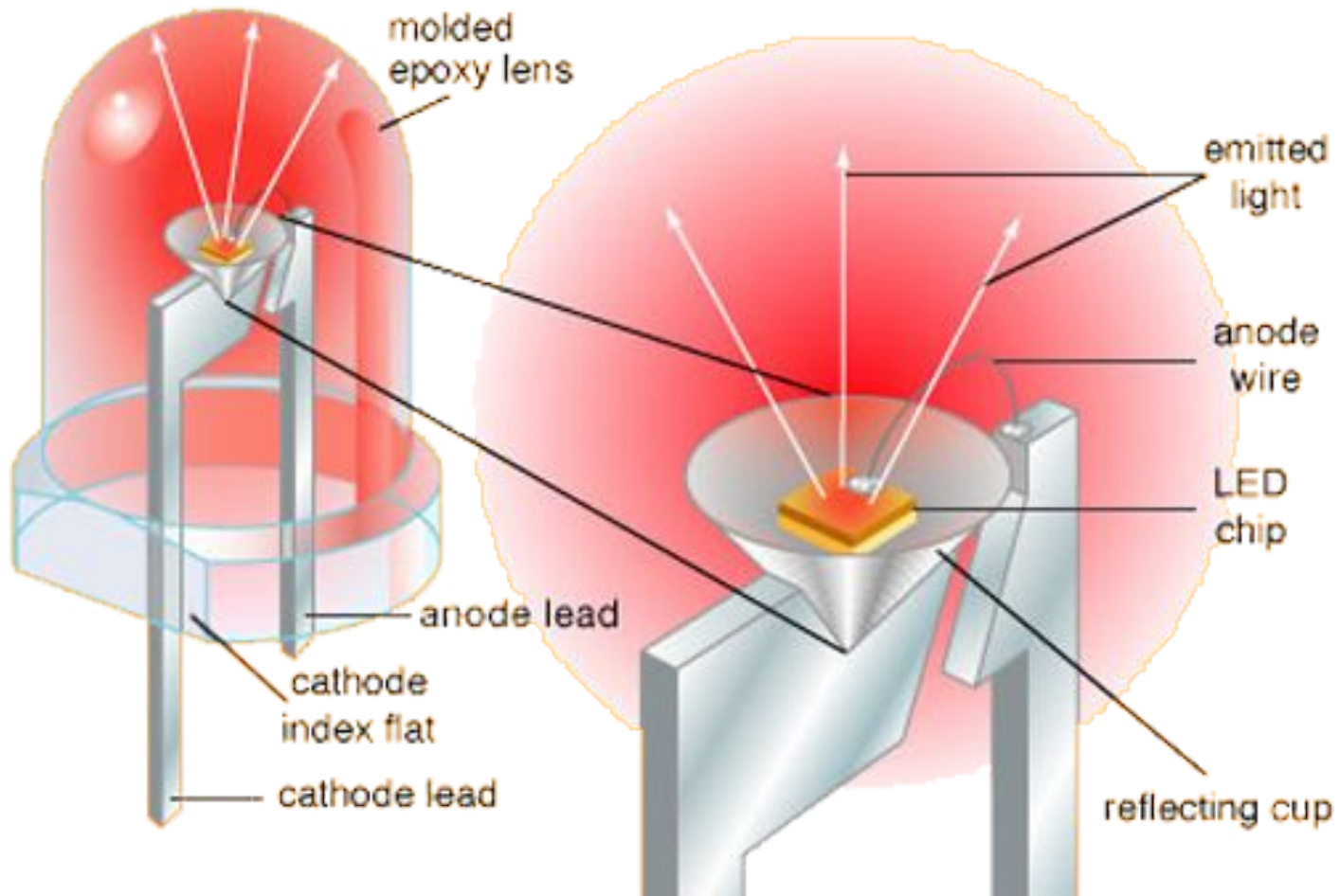
Automatic control



Breadboard



Light-emitting diode



Thank Амперка.ru

