

A TECHNICAL PRESENTATION

BH100 Service Training

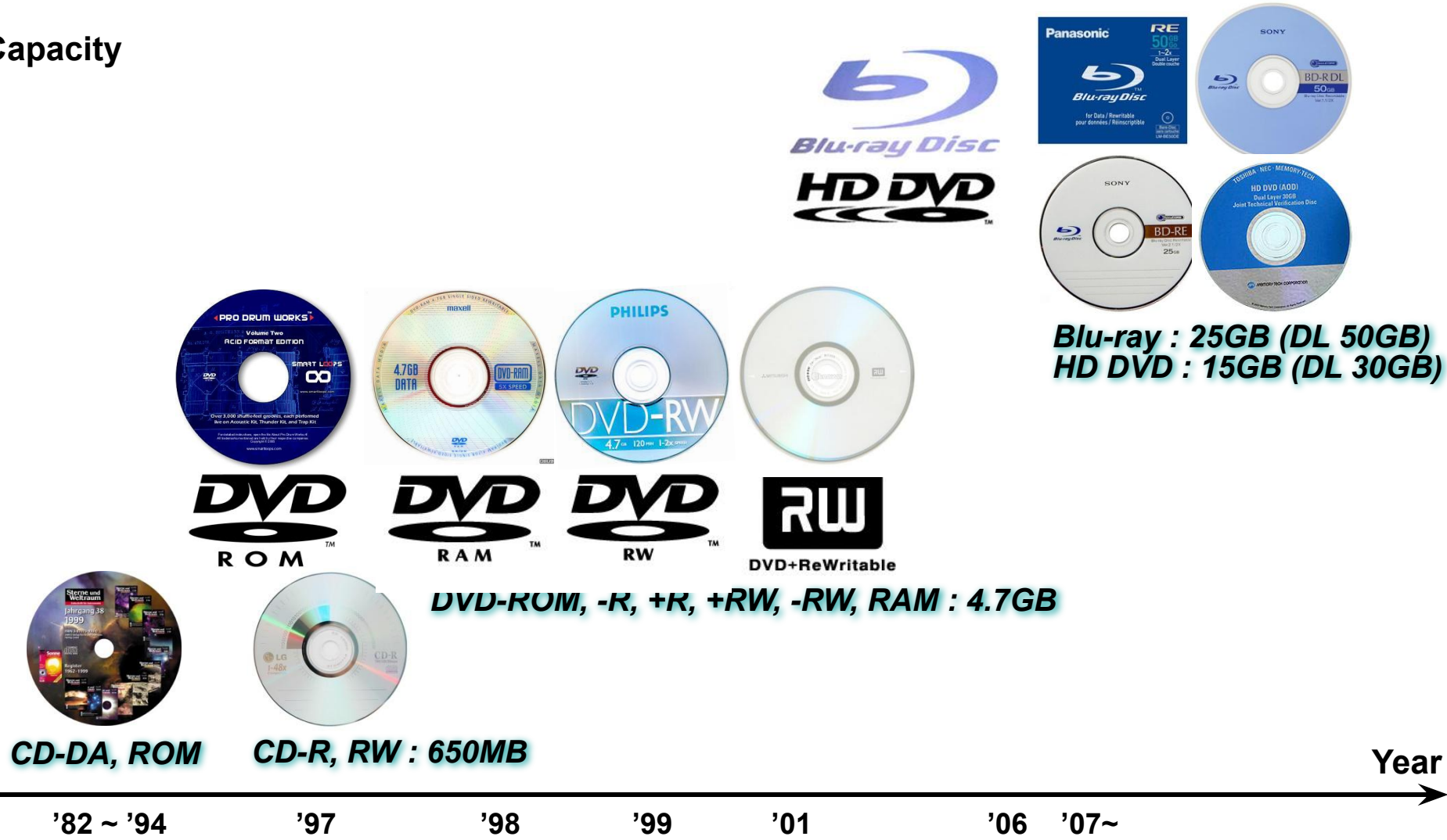


2007. 10.29

Video R&D 3 Group

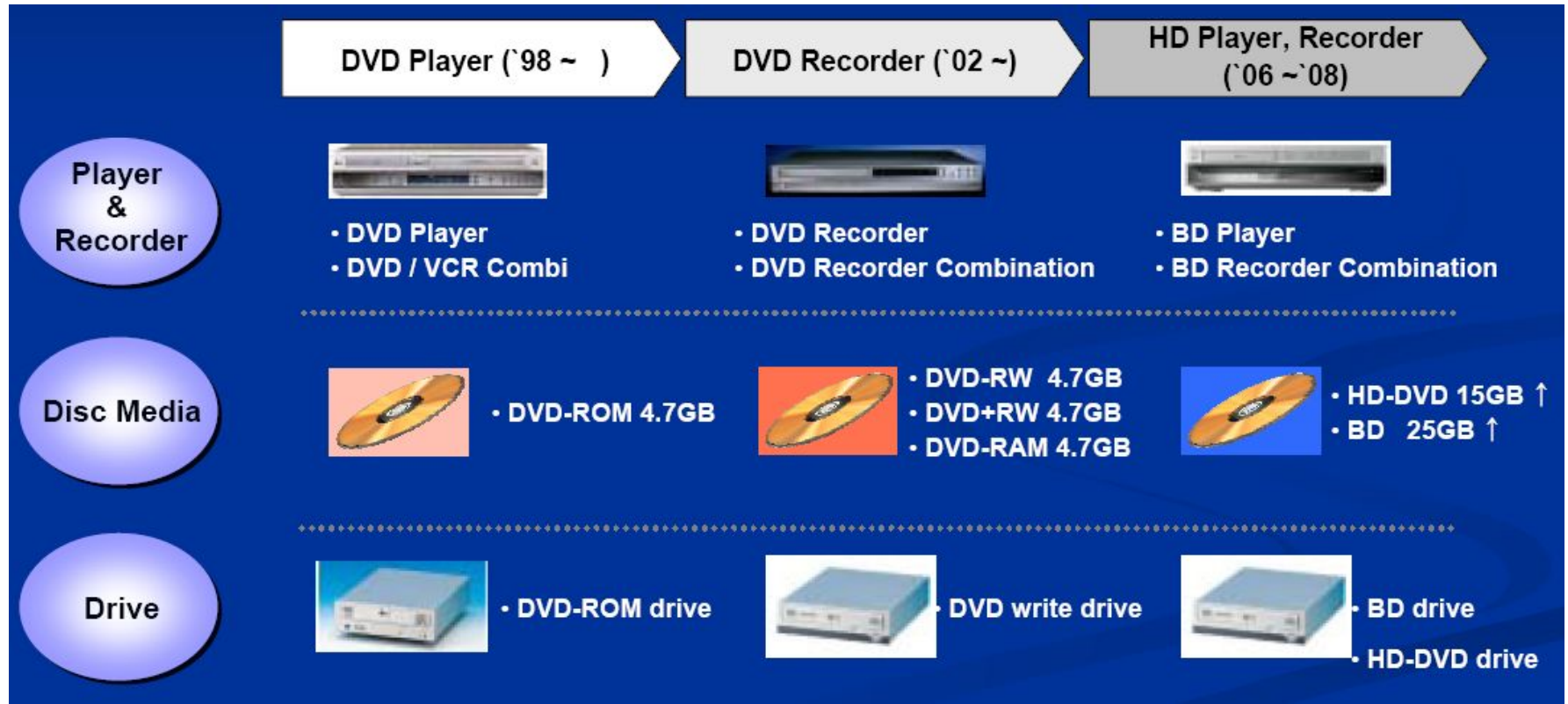
1. Disc Capacity

Capacity ↑



2. BD/HD Background

□ Based on high density recording technology, Optical Storage Product has been developing to support playing/recording HD contents







3. Concept


Concept Image

“ User Friendly HD Contents! ”


▶ **World First
HD Dual Format Play**










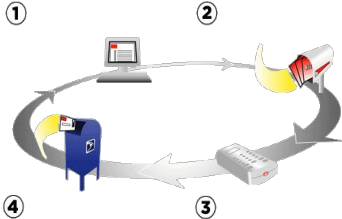


▶ **User Recognition
UI/GUI**



▶ **Movie Title Rental Service**



Playable Discs



BD-ROM

Discs such as movies that can be purchased or rented

HD DVD Disc

This product fully supports standard Blu-ray discs and can play high definition audio/visual content from HD DVD discs. This product does not support interactive “iHD” features available from many HD DVD discs.



DVD-VIDEO (8 cm / 12 cm disc)

Discs such as movies that can be purchased or rented



DVD-R (8 cm / 12 cm disc)

Video mode and finalized only



DVD-RW (8 cm / 12 cm disc)

Video mode and finalized only



DVD+R

Video mode only

Supports the dual layer disc also



DVD+RW

Video mode only

4. Specifications

• GENERAL

Power requirements :	AC 120V, 60Hz
Power consumption :	30W
Dimensions (W x H x D) :	Approx. 430 x 78 x 250 mm (17 x 3.1 x 9.9 inches) without foot
Weight (Approx.) :	4.1kg (9.1 lbs)
Operating temperature :	5°C to 35°C (41°F to 95°F)
Operating humidity :	5% to 90%

• OUTPUTS

VIDEO OUT :	1.0V (p-p), 75Ω, sync negative, RCA jack x 1
COMPONENT VIDEO OUT :	(Y) 1.0V (p-p), 75Ω, negative sync, RCA jack x 1 (Pb)/(Pr) 0.7V (p-p), 75Ω, RCA jack x 2
HDMI OUT (video/audio) :	19pin (HDMI standard, Type A)
ANALOG AUDIO OUT :	2CH : 2.0Vrms (1kHz, 0dB), 600Ω, RCA jack (L, R) x 1 6CH : 2.0Vrms (1kHz, 0dB), 600Ω, RCA jack x 6
DIGITAL OUT (COAXIAL) :	0.5V (p-p), 75Ω, RCA jack x 1
DIGITAL OUT (OPTICAL) :	3V (p-p), 75Ω, Optical jack x 1

• SYSTEM

Laser :	Semiconductor laser, wavelength : 405nm/650nm/780nm
Signal system :	Standard NTSC Color TV system
Frequency response :	8Hz to 44kHz (96 kHz Sampling) 8Hz to 22kHz (48 kHz Sampling)
Signal-to-noise ratio :	More than 100dB (ANALOG OUT connectors only)
Harmonic distortion :	Less than 0.008%
Dynamic range :	More than 95dB
Accessories :	Video cable (1), Audio cable (1), Remote control (1), Batteries (2)

Note : Design and specifications are subject to change prior notice.



Proposed BD RPC Map

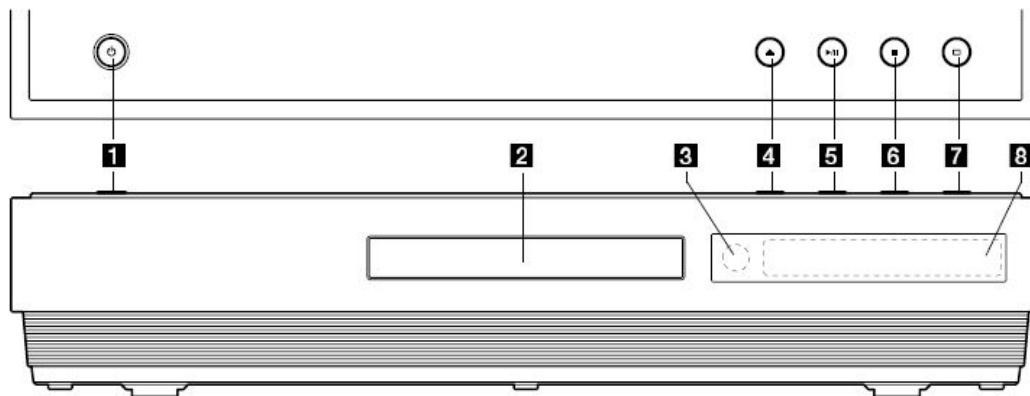


- Region A:**
- North America
 - Central America
 - South America
 - Korea
 - Japan
 - S'east Asia

- Region B:**
- Europe (EU)
 - Middle East
 - Africa
 - Australia
 - New Zealand

- Region C:**
- Russia
 - India
 - China
 - Rest of World

5.Front Panel



- 1 POWER Button**
Switches the unit ON or OFF.
- 2 Disc Tray**
Insert a disc here.
- 3 Remote Sensor**
Point the Remote Control here.
- 4 ▲ (OPEN/CLOSE)**
Opens or closes the disc tray.
- 5 ► / || (PLAY / PAUSE)**
Starts playback.
Pause playback temporarily, press again to exit pause mode.
- 6 ■ (STOP)**
Stops playback.
- 7 □ (RESOLUTION)**
Sets the output resolution for HDMI and COMPONENT VIDEO OUT jacks.
- 8 Display Window**
Shows the current status of the player.

Tip:

▲, ► / ||, ■, and □ buttons are operated with a slight/brief touch.

Precautions in using the touch buttons

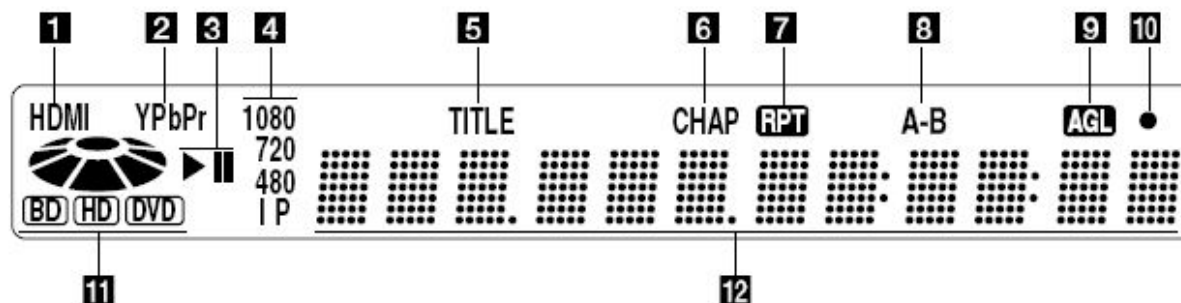
- Use the touch buttons with clean and dry hands.
- Do not press the touch buttons with too much force.
- Do not touch the button with any conductive material such as metallic object (Disc, etc). It may cause a malfunction.

Lock (Child Lock)

The ► / ||, ■, and □ buttons on the front of the player can be locked so that your player can only be operated using the Remote Control.

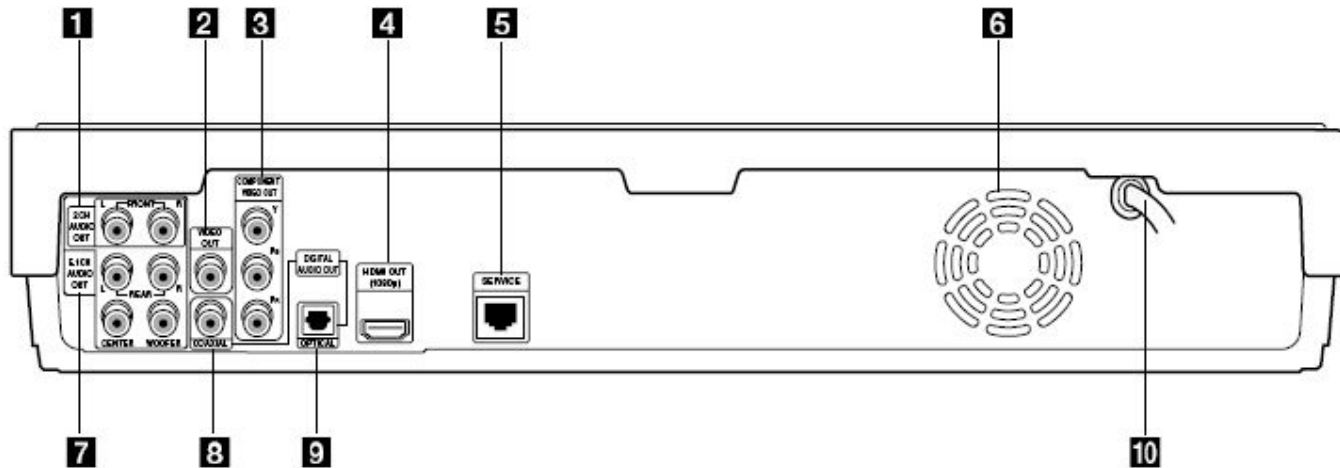
1. Press LOCK on the Remote Control. "LOCK ON" will appear in the display window.
If ► / ||, ■ or □ button on the front of your unit is pressed, "CHILD LOCK" will flicker in the display window for a few seconds.
2. Press LOCK again to switch off the child lock. "LOCK OFF" will disappear in the display window.

6. VFD



- 1 HDMI Indicator**
Indicates when the HDMI output is available.
- 2 YPbPr Indicator**
Indicates when the component video output is available.
- 3 Status Indicator**
▶: Playing
||: Paused
- 4 Video Output Resolution Indicator**
Displays the video output resolution currently selected.
480i: 480 interlace
480p: 480 progressive
720p: 720 progressive
1080i: 1080 interlace
1080p: 1080 progressive
- 5 TITLE**
Indicates current title number.
- 6 CHAP (Chapter) Indicator**
Indicates current chapter number.
- 7 Repeat Mode Indicator**
Indicates when playing in repeat mode.
- 8 A-B Repeat Mode Indicator**
Indicates when playing in A-B repeat mode.
- 9 AGL (Angle) Indicator**
Indicates when playing a scene recorded with multi angles.
- 10 Remote Control Indicator**
Indicates when Remote Control signal is received.
- 11 Disc Indicator**
BD: Indicates when an BD-ROM disc is loaded.
HD DVD: Indicates when an HD DVD disc is loaded.
DVD: Illuminates when a DVD disc is loaded.
- 12 Character Indicators**
Indicates total playing time, elapsed time, title number, chapter number or message, etc.

7.Back/Panel



- 1 2CH AUDIO OUT (Left/Right)**
Connect to a TV with 2 channel audio inputs.
- 2 VIDEO OUT**
Connect to a TV with video inputs.
- 3 COMPONENT VIDEO OUT (Y Pb Pr)**
Connect to a TV with Y Pb Pr inputs.
- 4 HDMI OUT (Type A)**
Connect to TV with HDMI inputs. (Interface for digital audio and video)
- 5 SERVICE port**
Reserved for authorized service purposes.
- 6 Cooling fan**
- 7 5.1CH ANALOG AUDIO OUT**
Connect to a 5.1CH analog input on an A/V Amplifier/Receiver.
- 8 COAXIAL (Digital audio out Jack)**
Connect to digital (coaxial) audio equipment.
- 9 OPTICAL (Digital audio out Jack)**
Connect to digital (optical) audio equipment.
- 10 AC Power Cord**
Plug into the power source.

8. Connections to Your TV

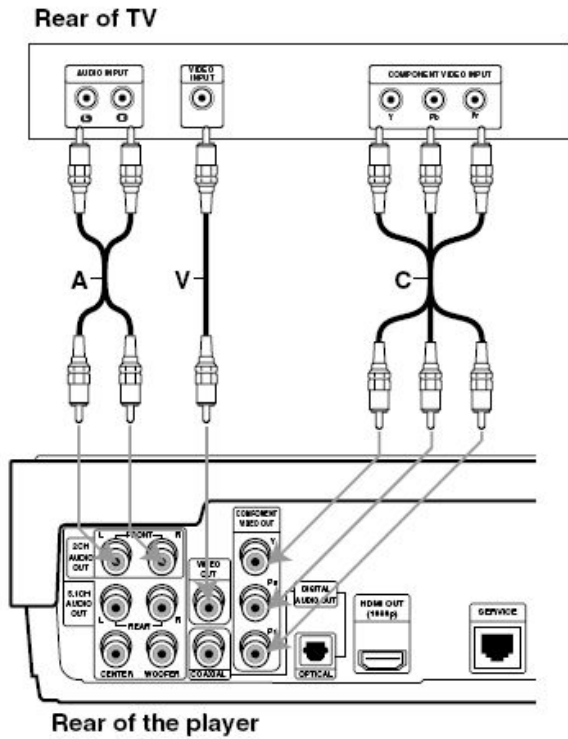


Fig 1. Connections to your TV

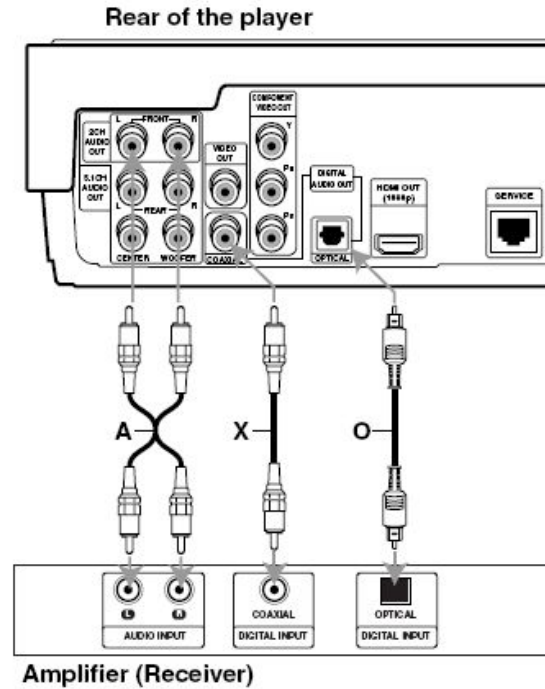


Fig 2. Connecting to an amplifier equipped with two channel analog stereo or Dolby Pro Logic II/ Pro Logic

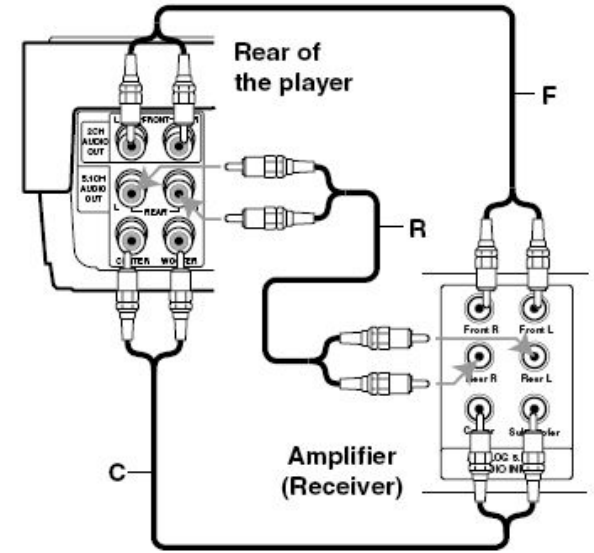


Fig 3. Analog connection to a multi-channel A/V receiver with 6 channel connectors (Dolby Digital, DTS)

9. Resolution Setting

- ✓ How to change the resolution using **RESOLUTION** button (Fig 1)
- ✓ How to change the resolution using **Setup Menu** (Fig 2)

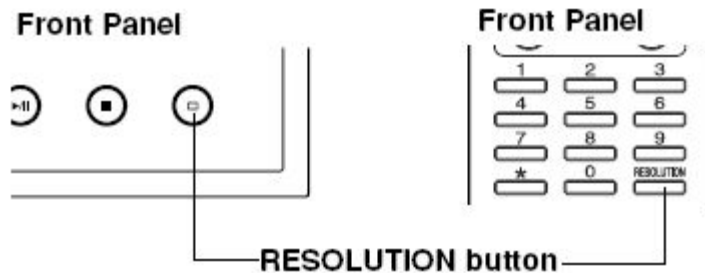


Fig 1. Resolution button



Fig 2. Setup Menu

- ✓ A kind of the Resolution
 - **1080P** – Outputs 1080 lines of progressive video.
(only for HDMI connection and BD-ROM/HD DVD discs recorded in 1080p)
 - **1080I** – Outputs 1080 lines of interlaced video.
 - **720 P** – Outputs 720 lines of progressive video.
 - **480 P** – Outputs 480 lines progressive video.
 - **480 I** – Outputs 480 lines of interlaced video.
(COMPONENT and VIDEO OUT jack only)

10. Resolution Check

1. Initial Screen When the unit connect to TV using HDMI cable (**Set TV input to HDMI mode**)

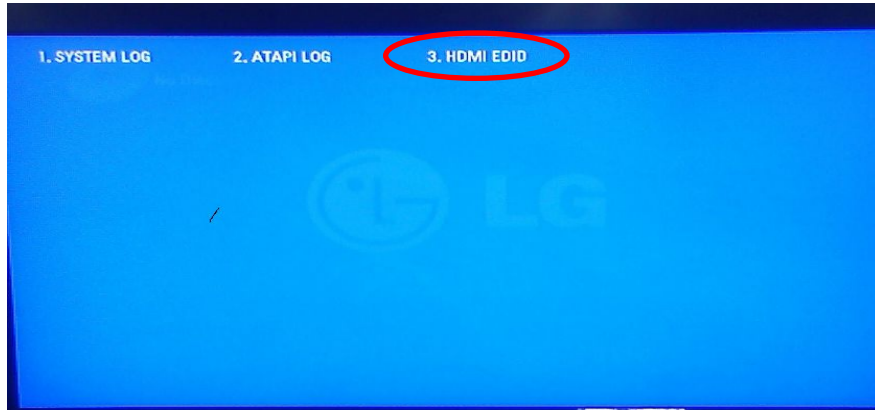


2. Press button 2,4,8,6,5 on the remote control When you see on the screen showing No disc.

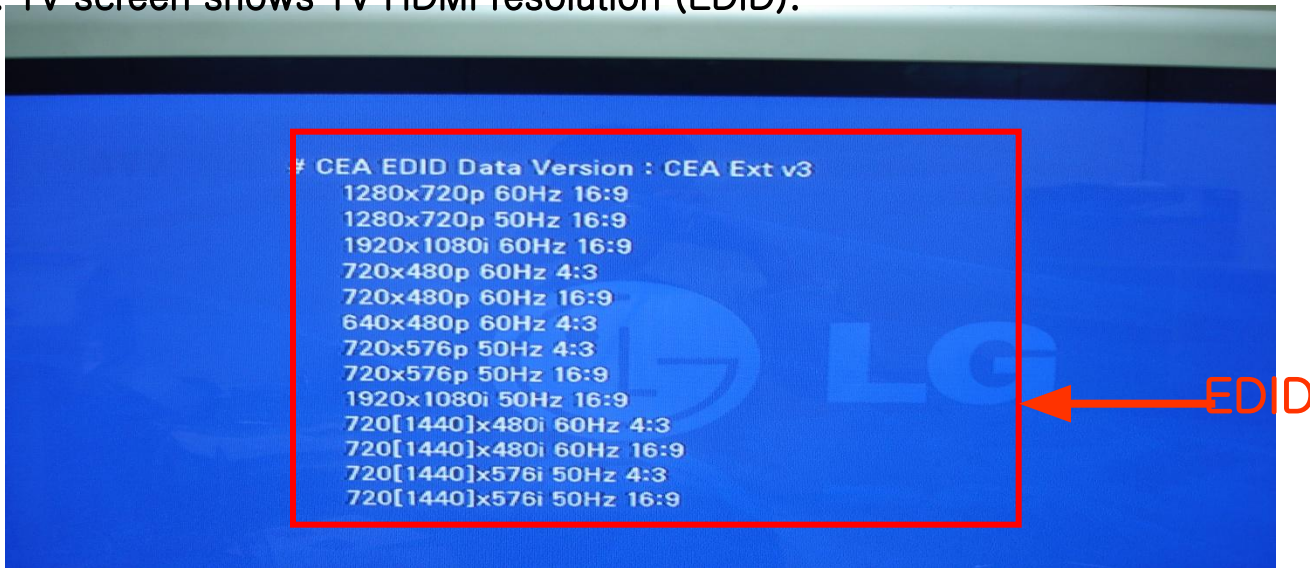


10. Resolution check

3. Press button **3**



4. TV screen shows TV HDMI resolution (EDID).

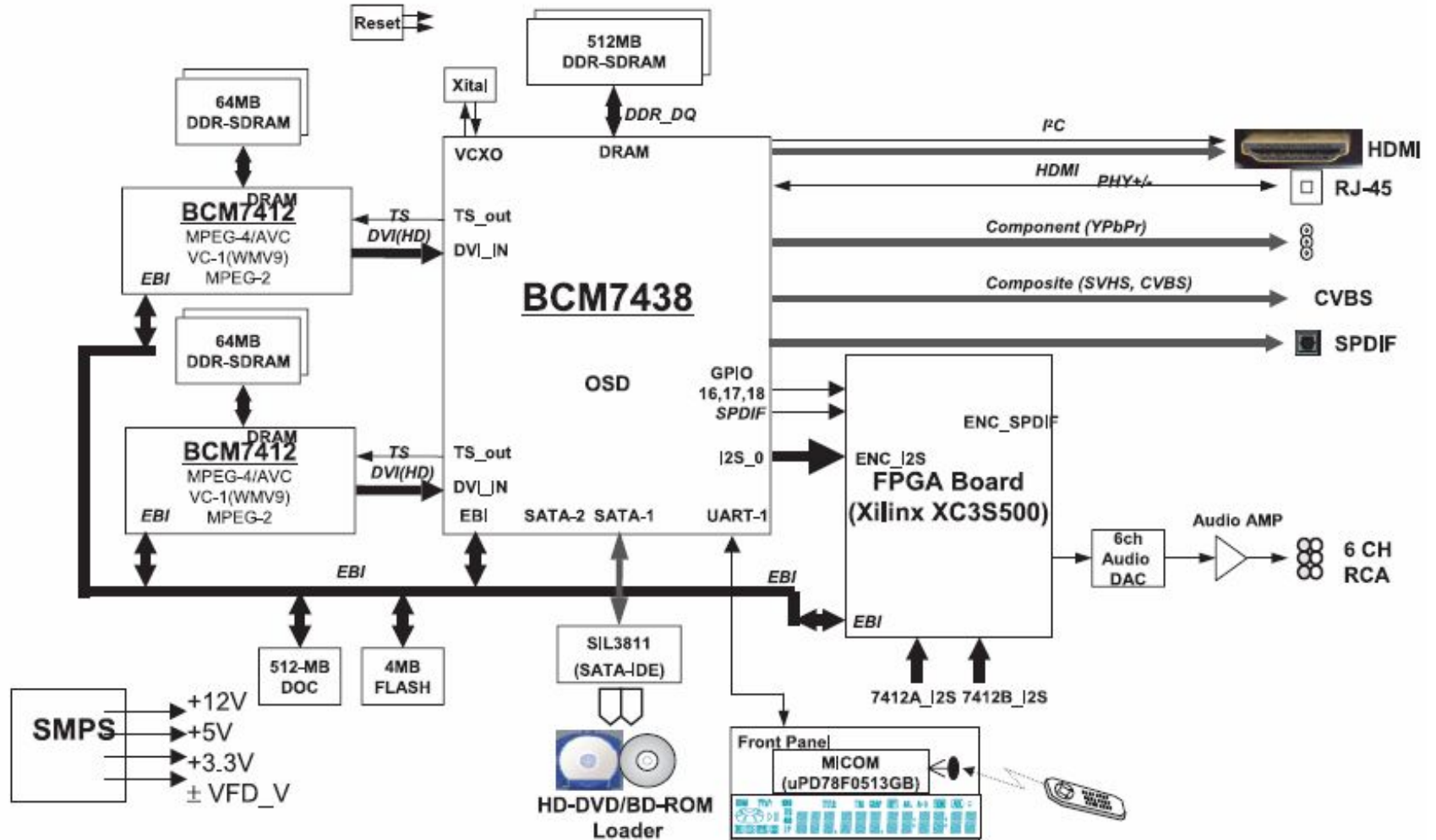


5. Press **RETURN** twice on the remote control if you want to finish.

- 1. System Block Diagram**
- 2. Overall Wiring Block Diagram**
- 3. Main Signal Path**
- 4. Audio Signal Path**
- 5. Front Block Diagram**
- 6. SMPS**
- 7. SMPS**
- 8. Component Position**

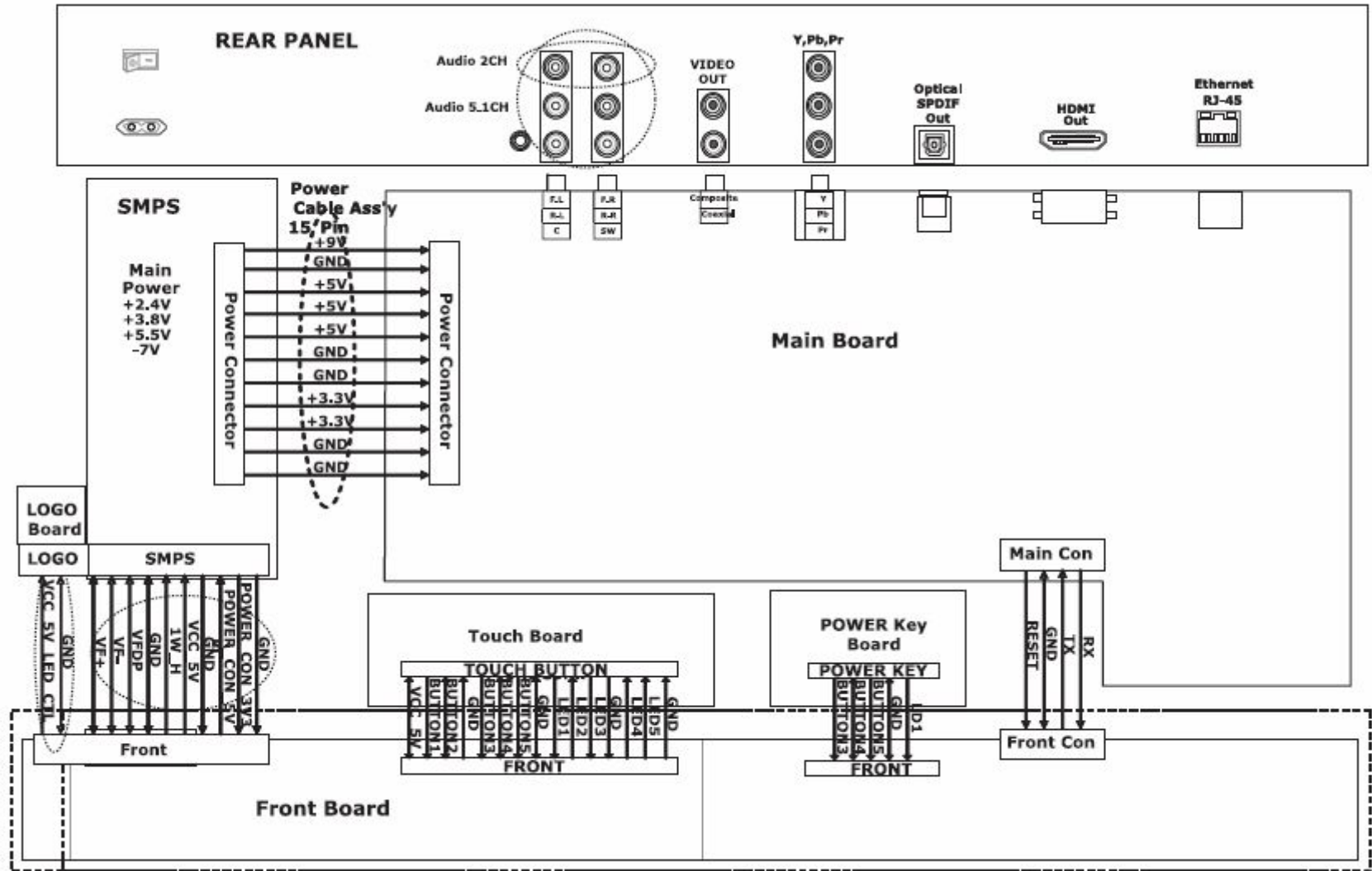
1. Block Diagram

2. Block Diagram



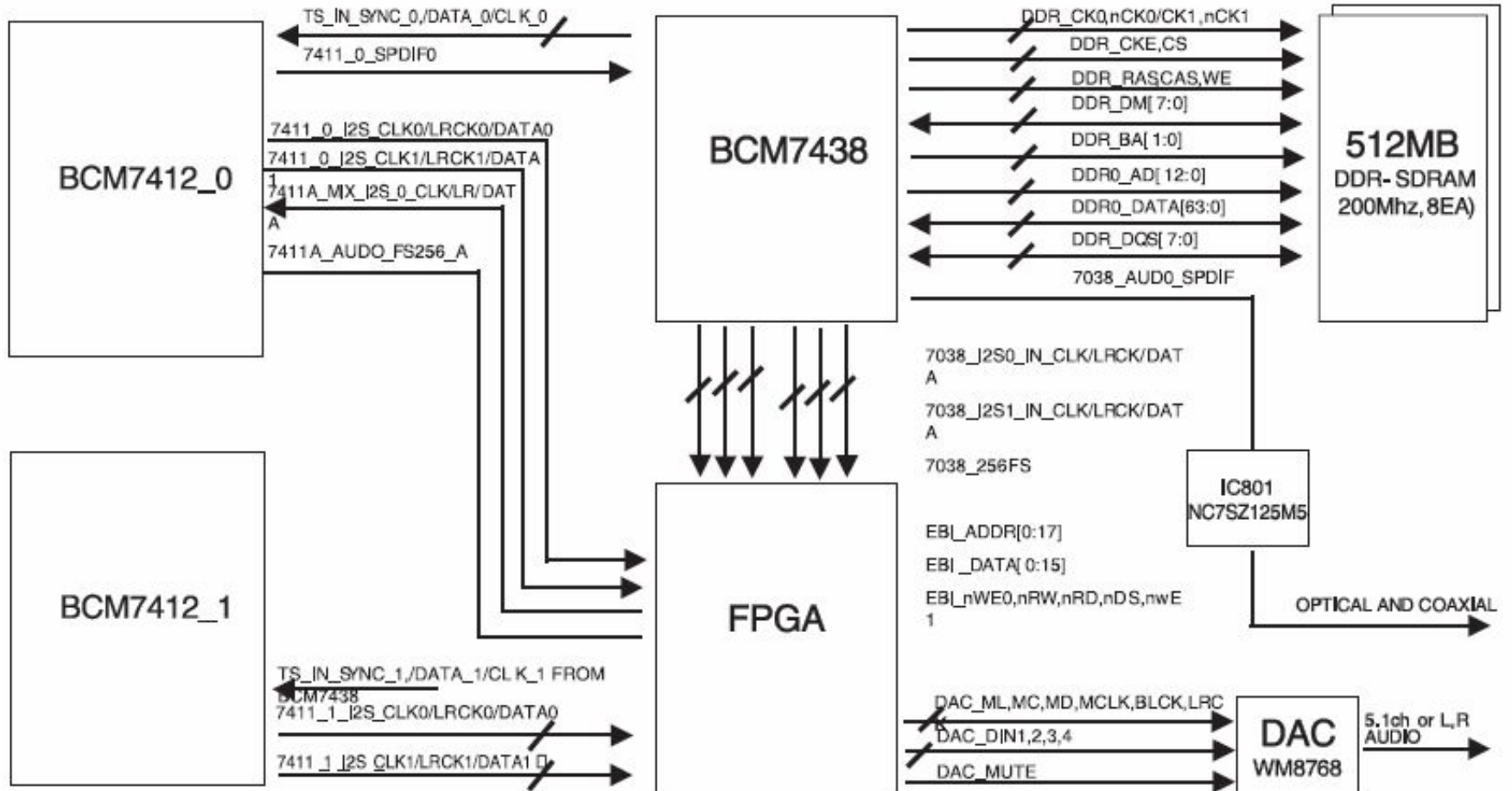
2. Overall Wiring Block Diagram

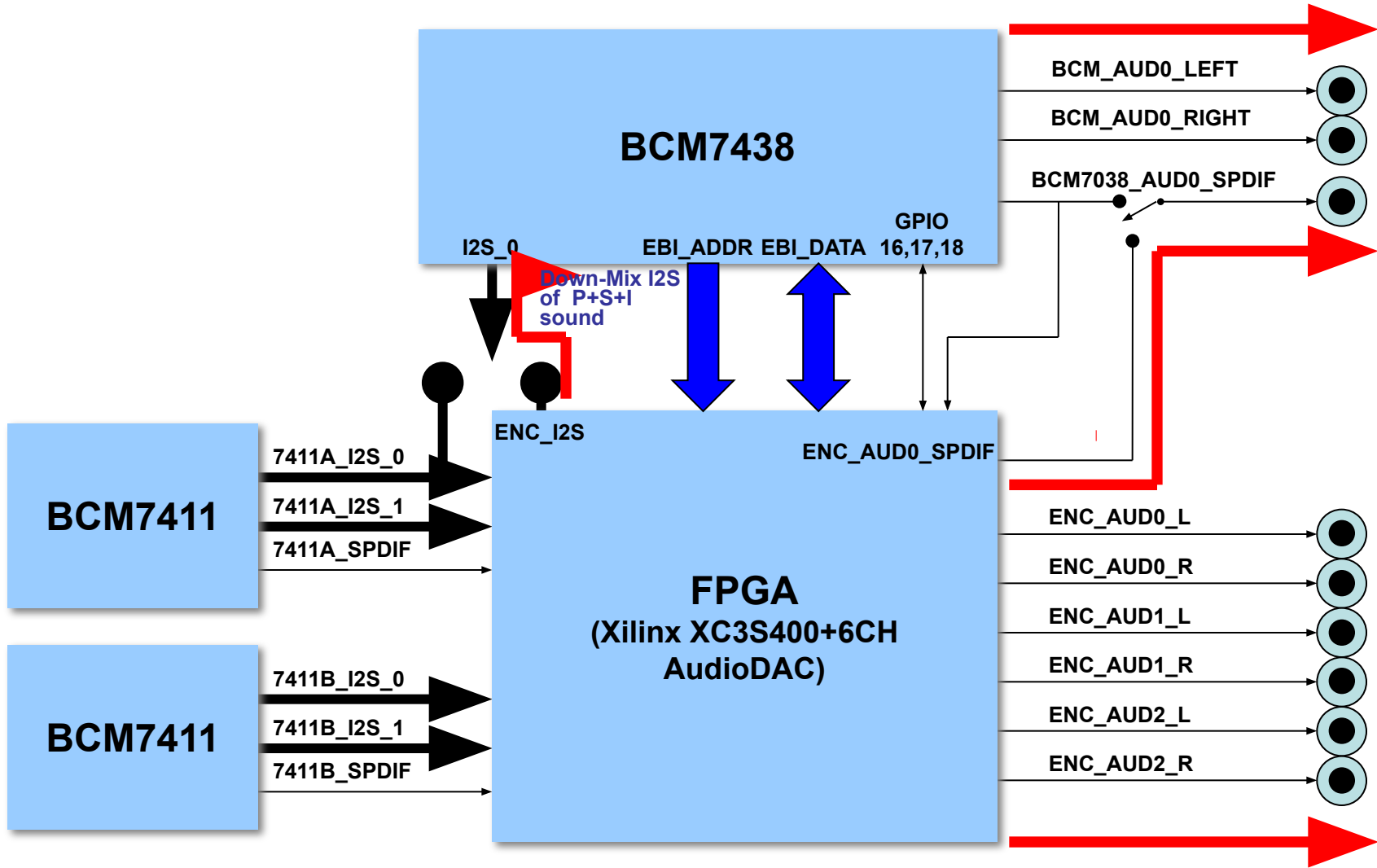
2. Block Diagram

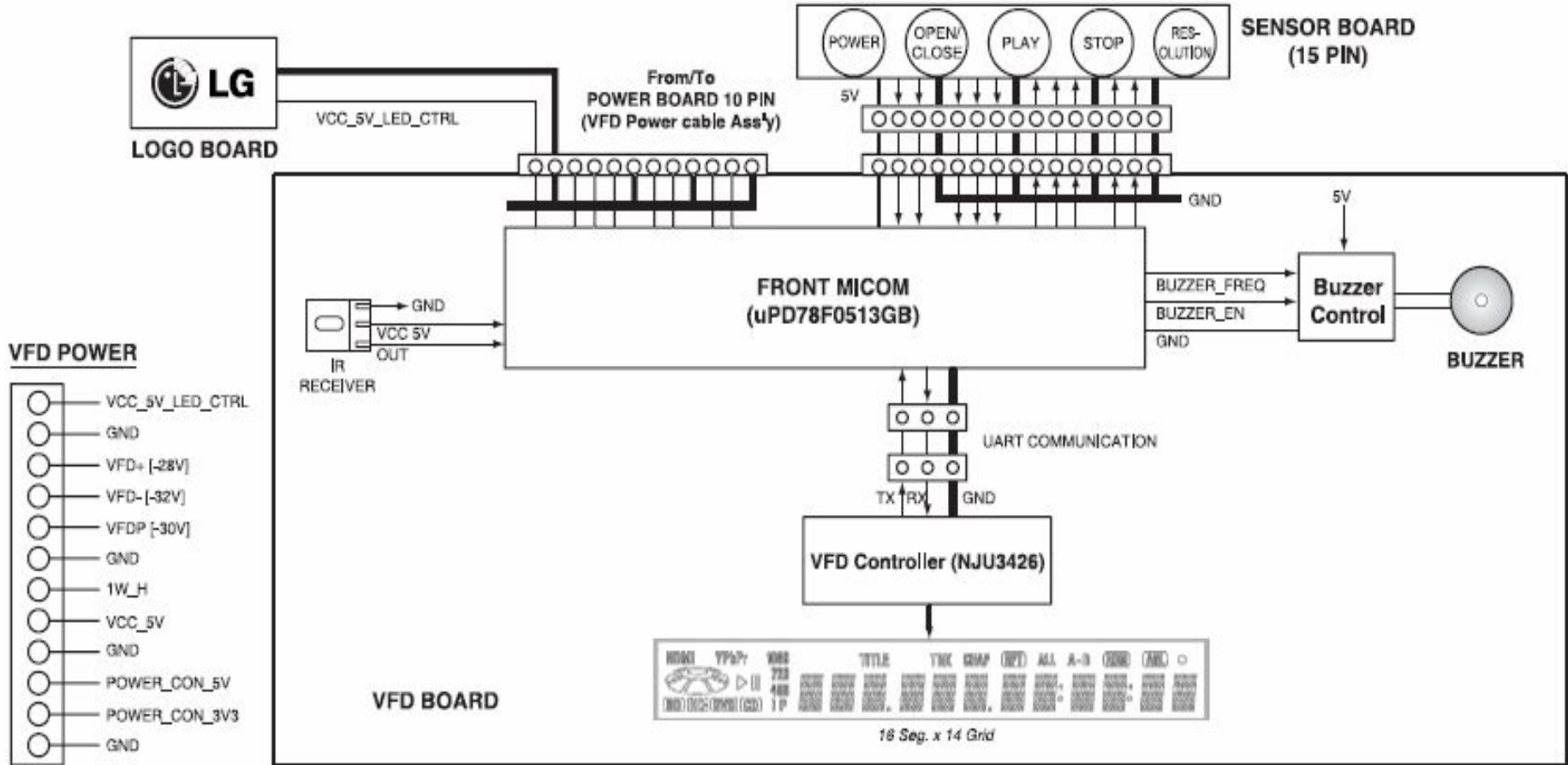


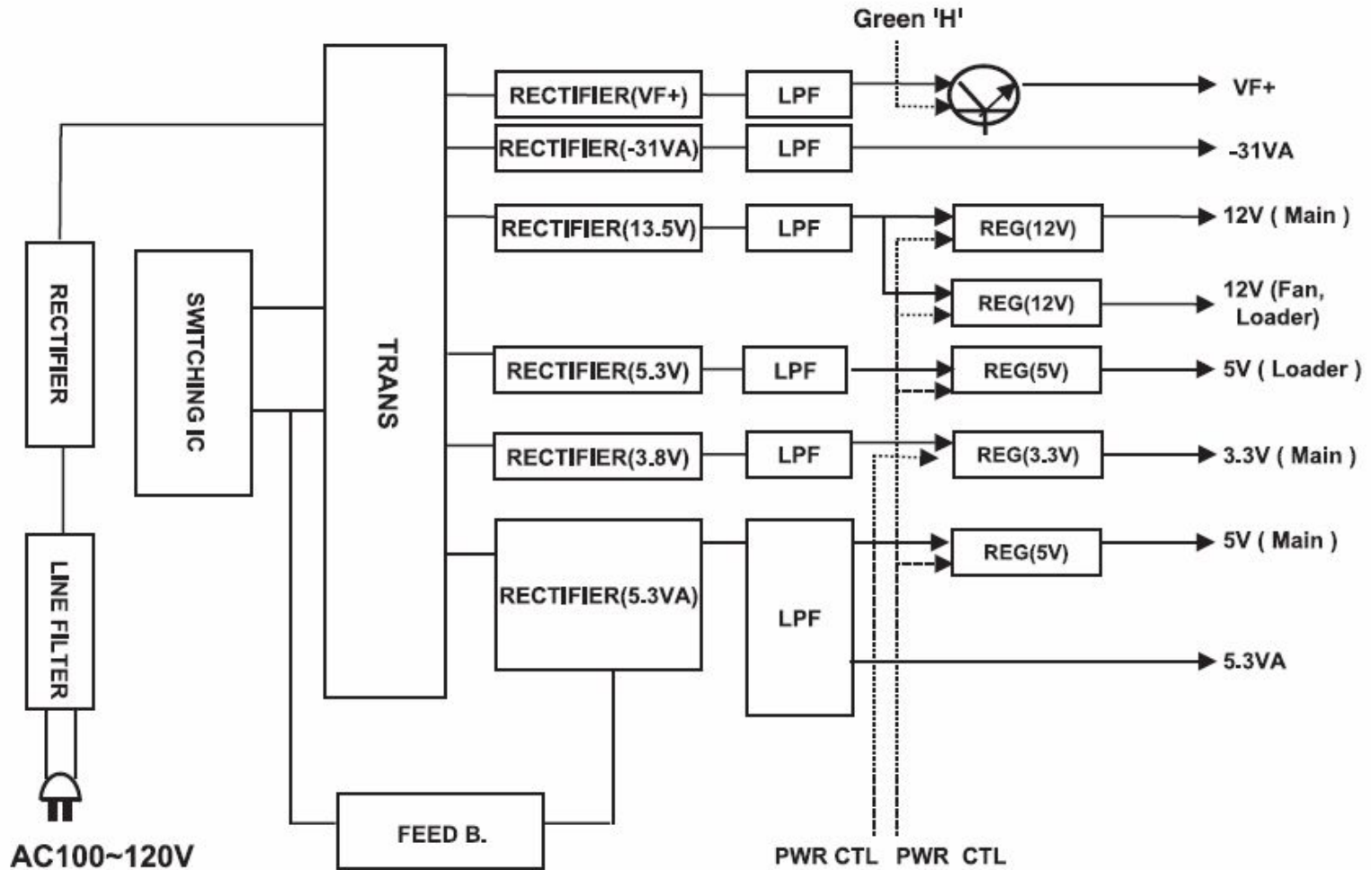
3. Main Signal Path Diagram

2. Block Diagram

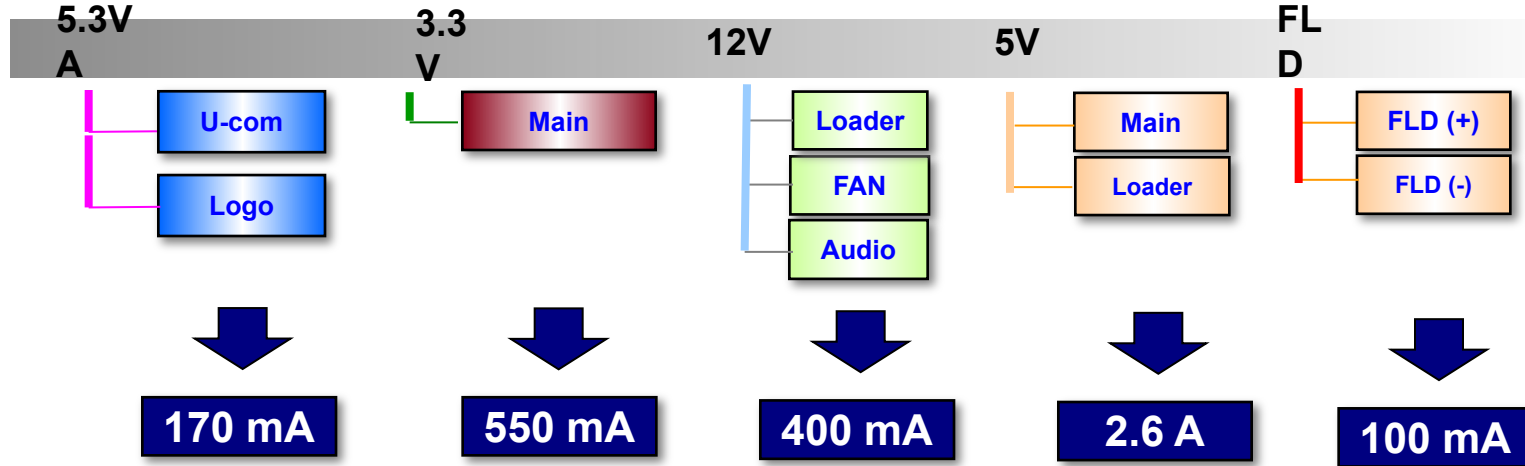








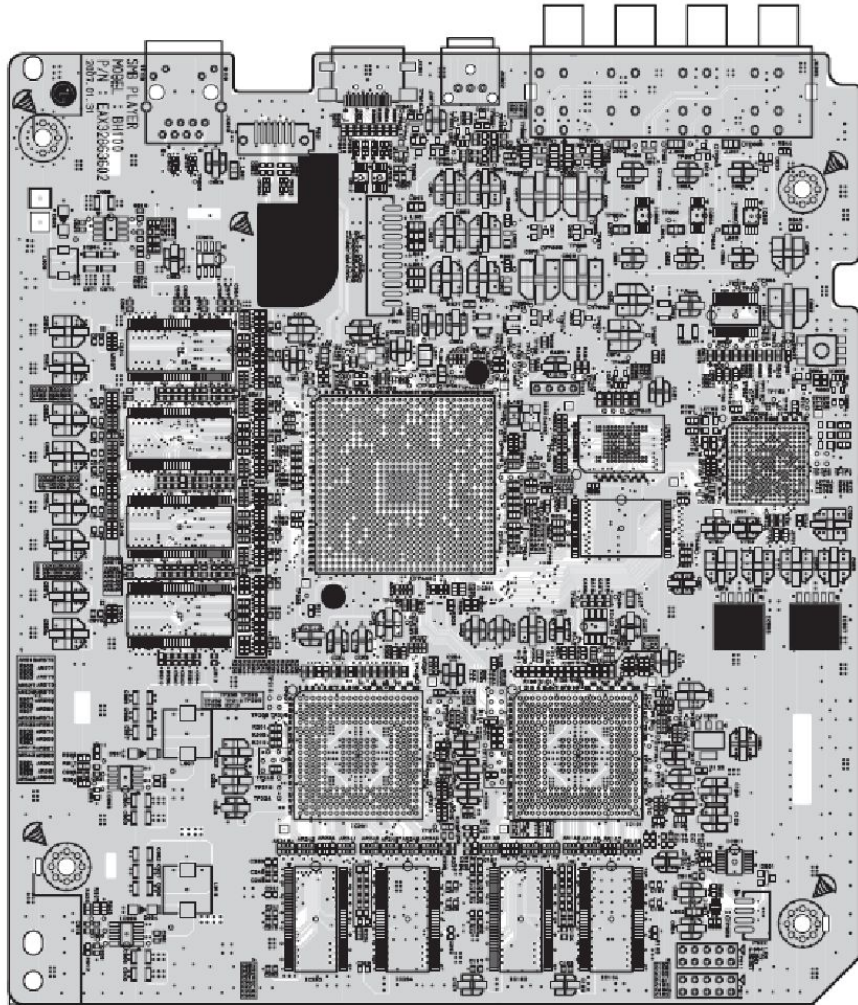
Load Analysis



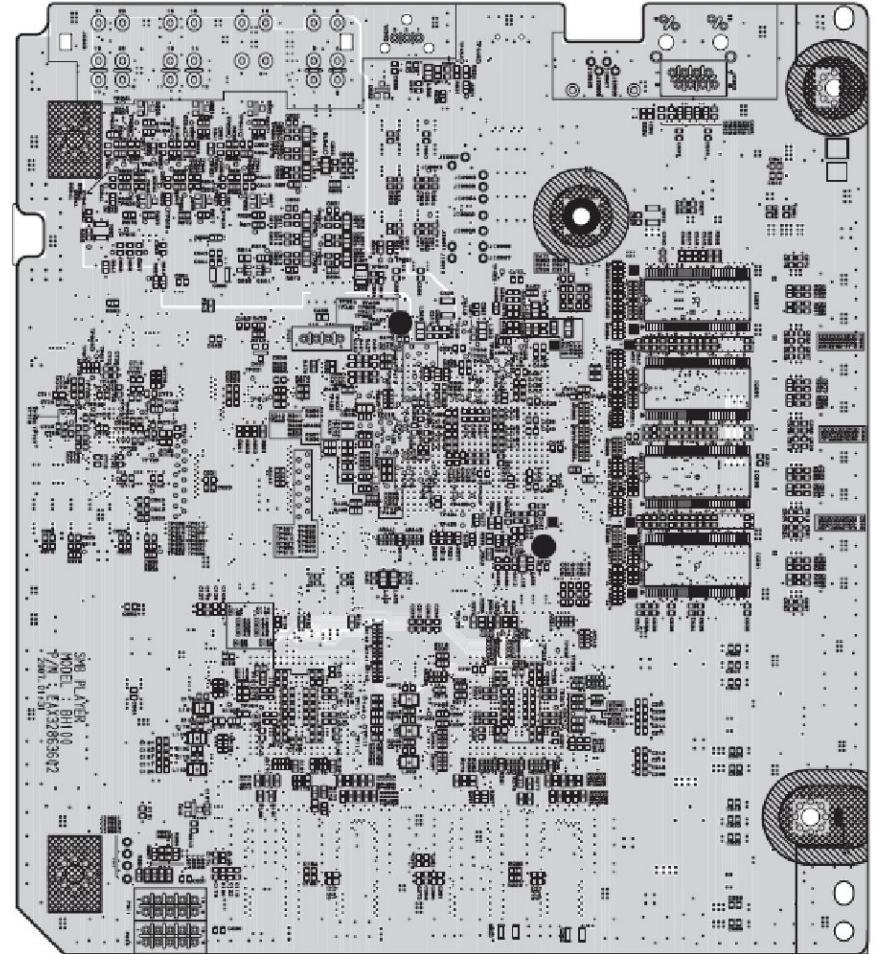
SMPS Power Consumption Analysis

⊗ ⊗	3.3V	5.3V(Main, VA)	12V(HDD)	5.3(Loader)	FLD(+)-FLD(-)
⊗ ⊗	550	2600	400	400	100
Diode	D3S6M	B5A60VI	UF5402	SB360	RL104F
Trans ⊗ ⊗ ⊗ ⊗	3.8	5.7	14	5.8	3.2
⊗ ⊗ ⊗ ⊗ (W)	2.06	14.82	5.6	2.32	0.32

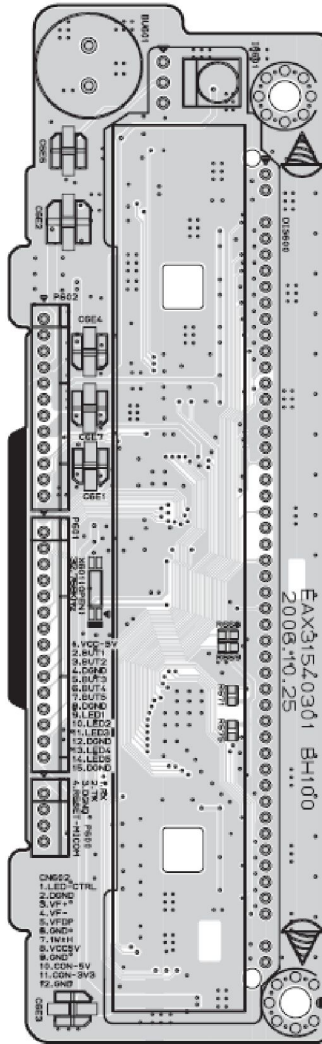
Comp side



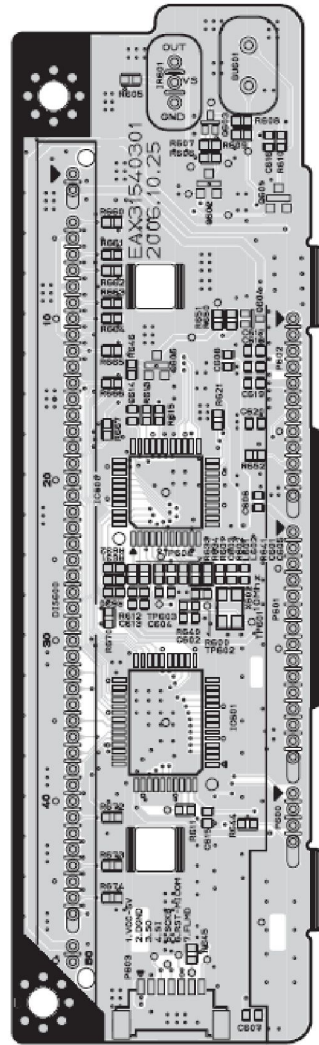
Solder side



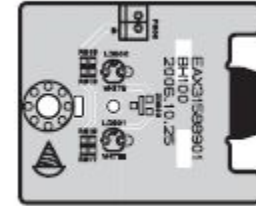
Comp side



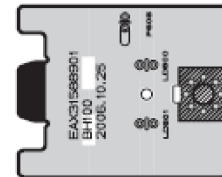
Solder side



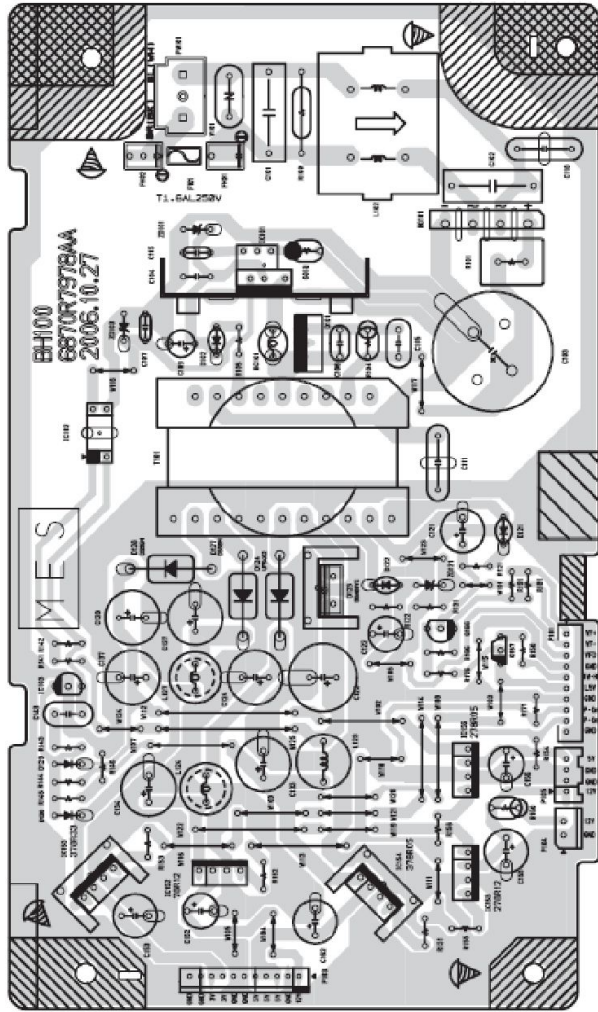
Comp side



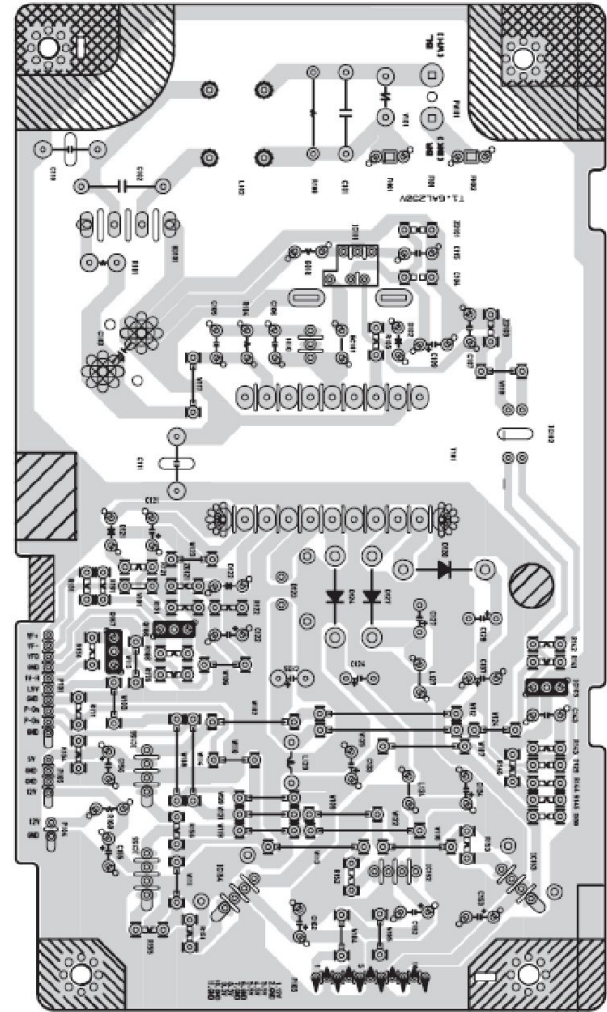
Solder side

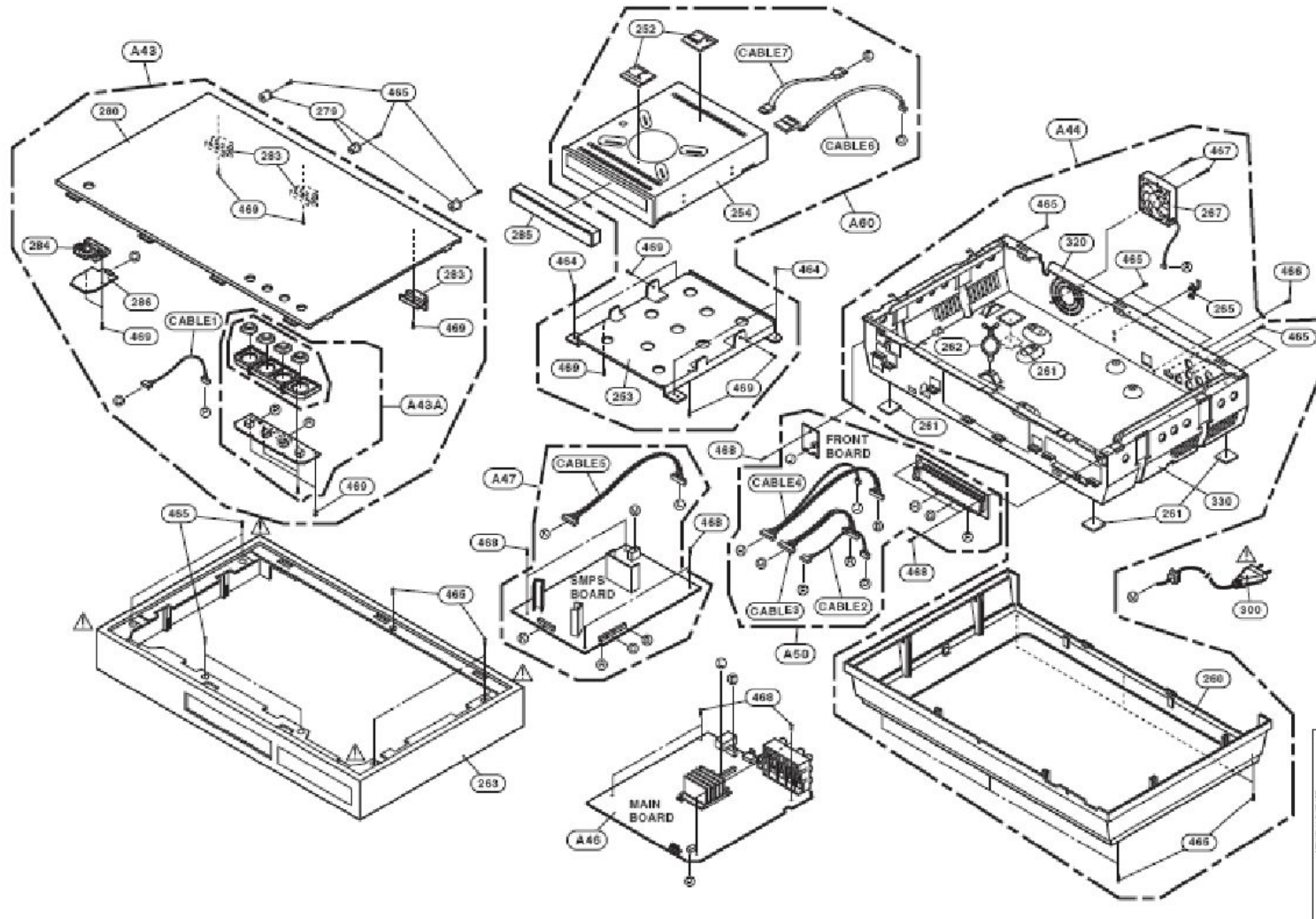


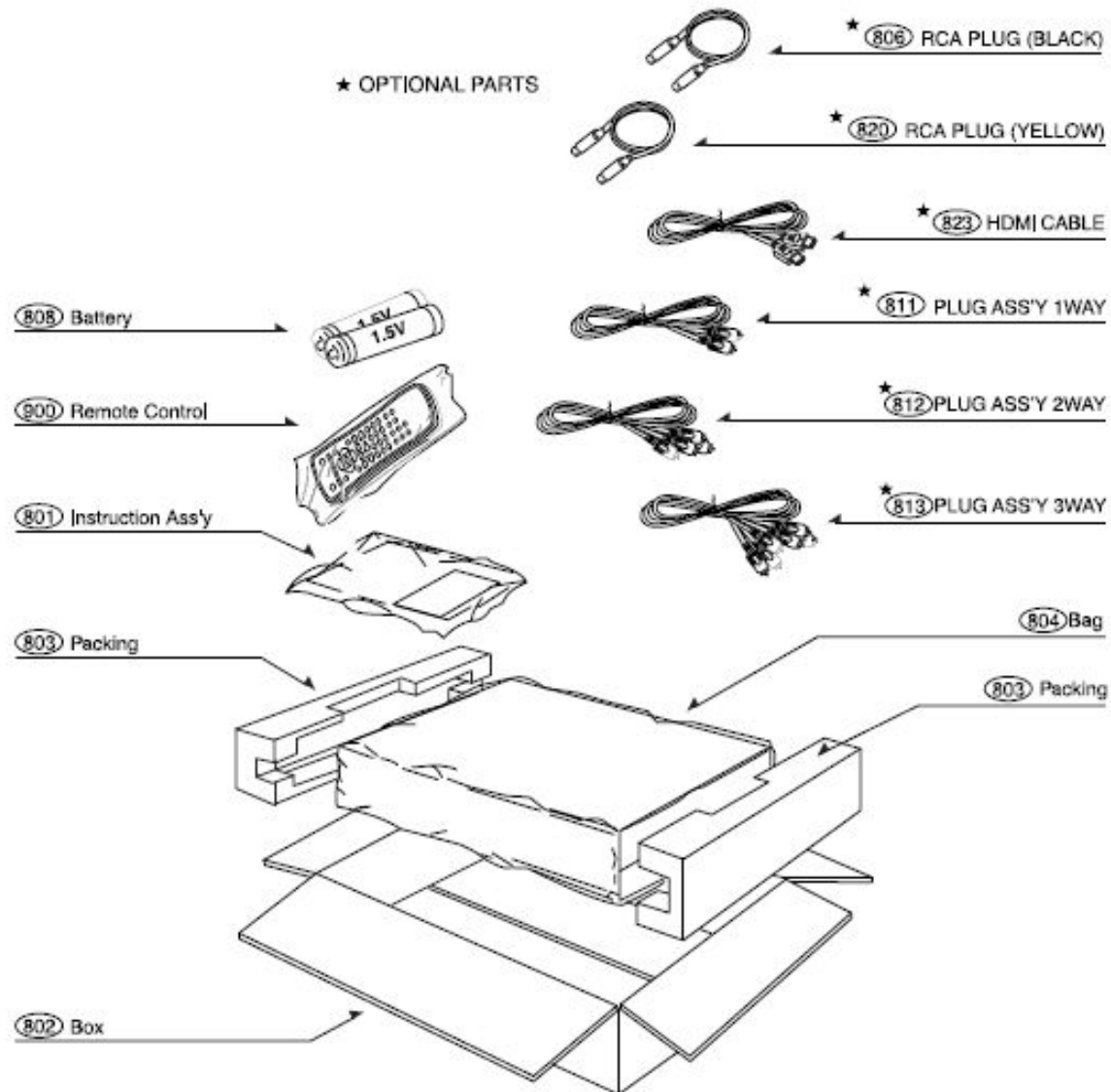
Comp side



Solder side

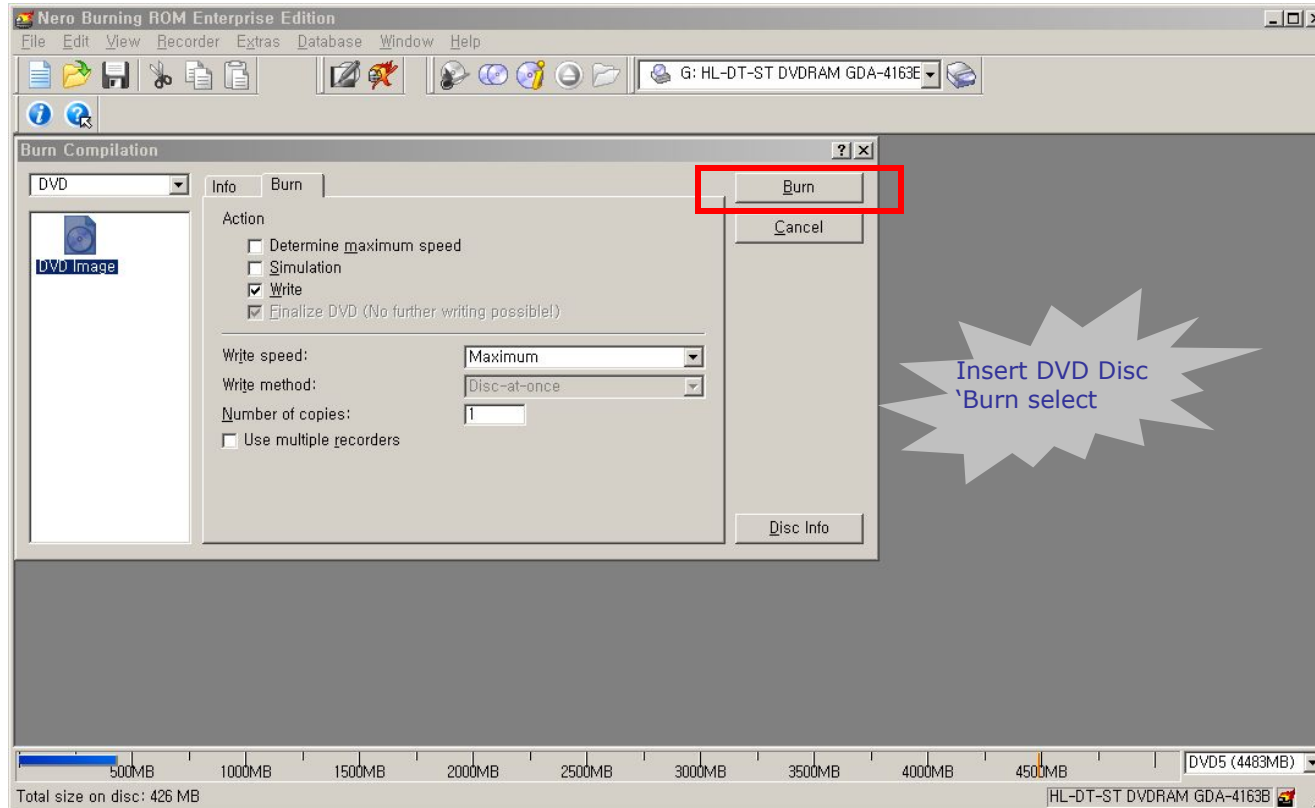






1. Burning Upgrade Disc

- 1) Use Only DVD Disc for Upgrade DVD recordable Disc (CD Not support.)
- 2) Burn a DVD recordable disc using UDF Format . (Software : Roxio Easy CD Creator, Nero Burning Rom)
- 3) After Download, Double Click ????.ISO file and Burn select



Notice : 5월 이후 생산된 제품은 MPEG Decoder IC (BCM7412)가 1개 삭제되어 프로그램 버전이 두 개로 별도 관리됨.

- Insert a upgrading disc that was burned to **UDF format** only.
- Show help message for disc upgrade as follows...

Software Upgrade Mode
Current Version : BH07xxx.xx
New Version : BH07xxx.xx
Press 'PLAY' key to upgrade.



- Press play key to upgrade and it will show progress information
(**Display percent[%] at VFD panel**)

Software Upgrade Mode
Current Version : BH07xxx.xx
New Version : BH07xxx.xx
Upgrading ... Please Wait !!!

- After completing upgrade then it re-boot by automatically. (2~3 minute)

1. Firmware Upgrade

3. Software upgrade check

★ how can check version ?

1. Move cursor setup -> display ->TV aspect -> 16:9 (Fig.1)
2. push 1 3 9 7 1 3 9 ----□ enter button
3. you can see system information like Fig.2
4. check the Program version & option code
5. Push pause or enter to exit the system information window

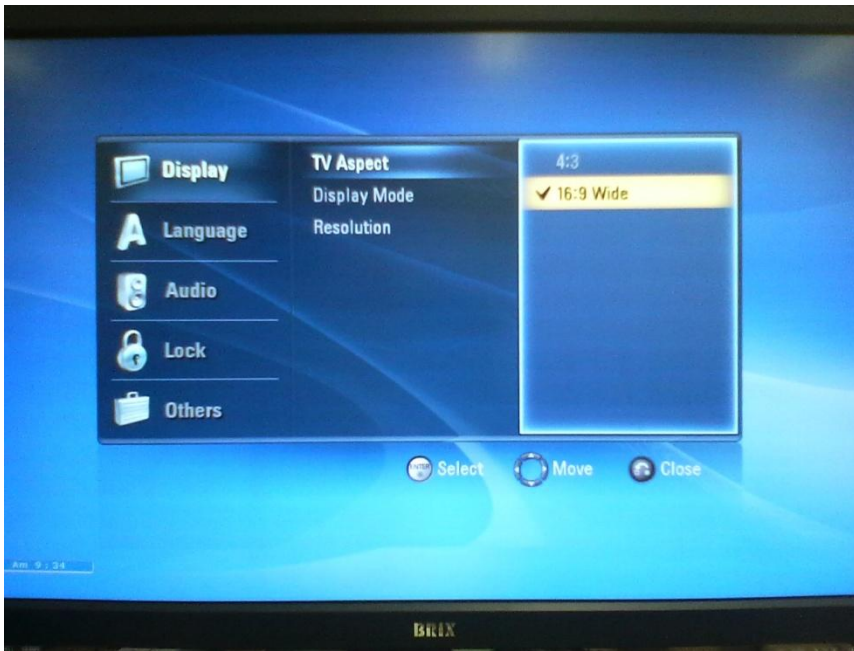
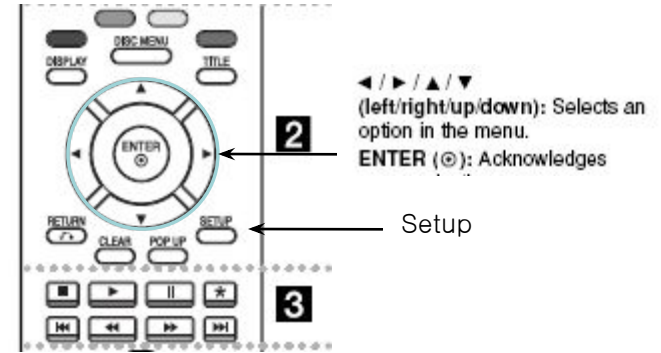


Fig.1 Setup Menu

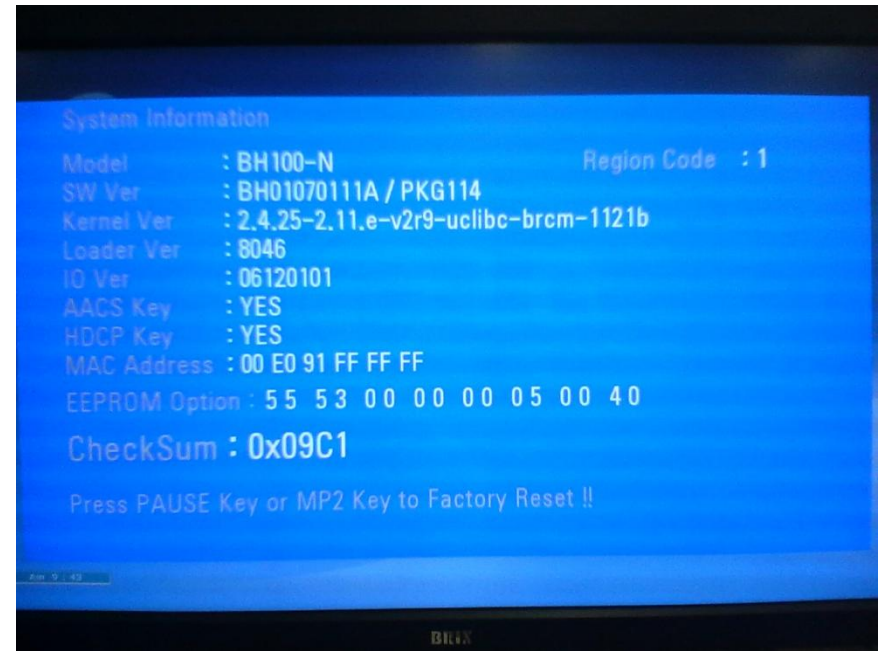


Fig.2 system information window

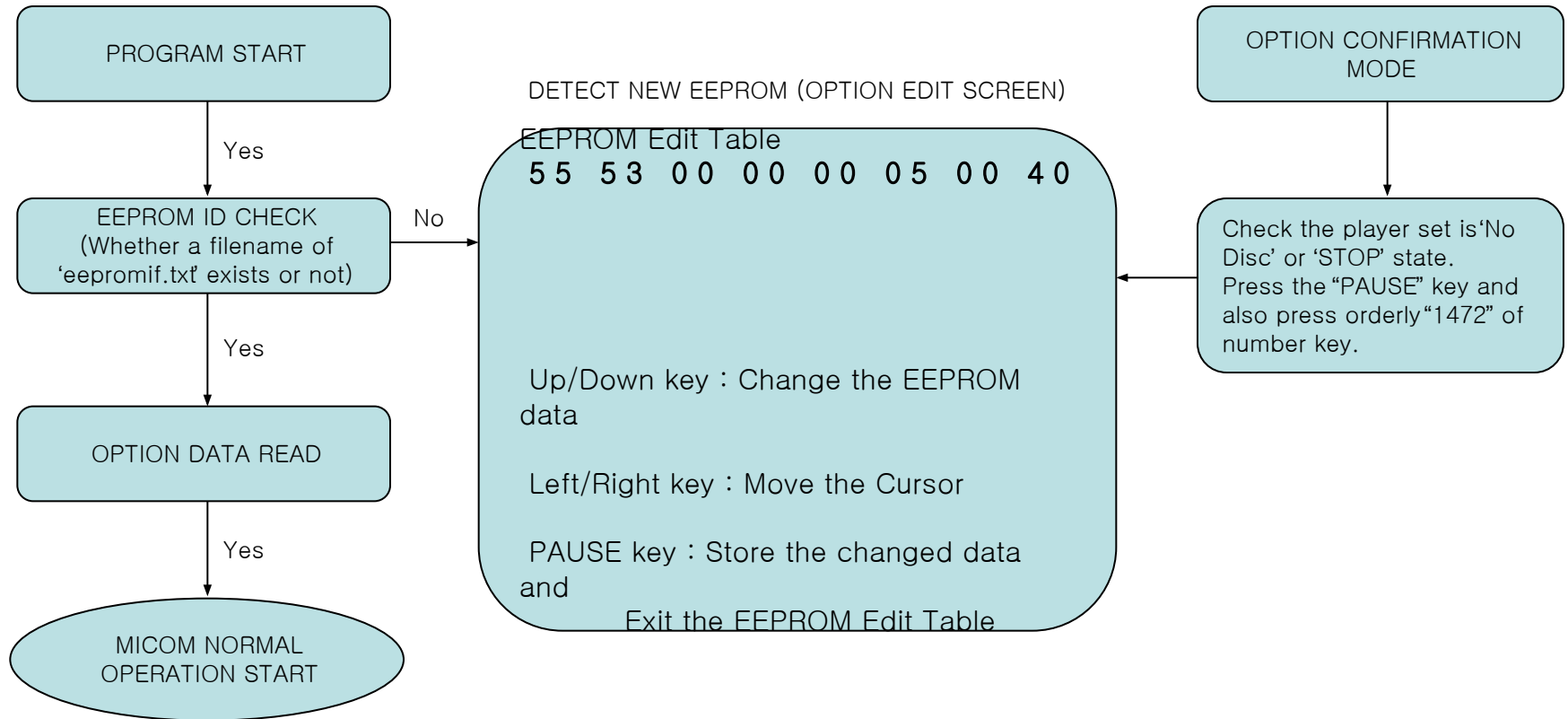
The screenshot shows a blue background with white text for system information. Several values are highlighted with red boxes: 'BH01070111A' in the SW Ver line, '8046' in the Loader Ver line, and '06120101' in the IO Ver line. Arrows point from these boxes to explanatory text on the right. The MAC Address is '00 E0 91 FF FF FF'. The EEPROM Option is '55 53 00 00 00 05 00 40'. The CheckSum is '0x09C1'. At the bottom, it says 'Press PAUSE Key or MP2 Key to Factory Reset !!'. The BILIX logo is at the bottom center.

Field	Value	Explanation
Model	BH100-N	
Region Code	1	
SW Ver	BH01070111A / PKG114	
Kernel Ver	2.4.25-2.11.e-v2r9-uclibc-brcm-1121b	
Loader Ver	8046	
IO Ver	06120101	Front Micom Firmware version
AACS Key	YES	AACS : Advanced Access Content System
HDCP Key	YES	HDCP : High-Bandwidth Digital Content Protection
MAC Address	00 E0 91 FF FF FF	MAC Address : Media Access Control Address
EEPROM Option	55 53 00 00 00 05 00 40	
CheckSum	0x09C1	

Press PAUSE Key or MP2 Key to Factory Reset !!

Apr 9 : 43

BILIX



*** EEPROM INITIAL ***

– Check the player set is 'No Disc' or 'OPEN' state.

Move highlight to SETUP → Display → TV Aspect → 16:9 Wide.

And press orderly "1397139" + "ENTER" key of remocon.

	1 st SMB Player	2 nd SMB Player (Additional features)
Signal Format	<ul style="list-style-type: none"> ◆ NTSC/ATSC ◆ Component/Composite output : 480i, 480p, 720p, 1080i 지원 ◆ HDMI output (V1.2) : 480p, 720p, 1080i, 1080p@24 및 30Hz 지원 	<ul style="list-style-type: none"> ◆ PAL/DVB ◆ Component/Composite output : 1080p ◆ HDMI output : 1080p@60Hz (IC 미대응) □ 3Gen
Disc & AV Format	<ul style="list-style-type: none"> ◆ Disc : BD(ROM, Hybrid): BD Video HD-DVD(ROM, Twin): HD-DVD Video DVD (ROM, ±R/RW): DVD Video ◆ Video : MPEG2, MPEG4 AVC, SMPTE VC1 ◆ Audio : LPCM, DD & DD+, DTS & DTS-HD, TrueHD 	<ul style="list-style-type: none"> ◆ Disc: BD (-R/RE): BD-RE V1.0/V2.0 □ 3Gen DVD: DVD Audio, DVD VR, DVD+RW CD (ROM, -R/RW): CD-DA SACD □ 3Gen VCD, S-VCD □ delete
BD Playback	<ul style="list-style-type: none"> ◆ HDMV : Play, Trick play, Search, Skip ◆ Standard Profile Initial Version (Profile 1.0) <ul style="list-style-type: none"> • No Local storage & No Network • Primary Video/Audio 	<ul style="list-style-type: none"> ◆ HDMV : Repeat, Mark ◆ Full Profile (Profile 2.0) <ul style="list-style-type: none"> • Local storage & Network: Download, VFS, Content Binding • Dual Video/Audio: PIP, Re-encoding of mixed audios
HD-DVD Playback	<ul style="list-style-type: none"> ◆ AV Title : Play, Trick play, Search/Skip, Repeat, Mark ◆ iHD : Pseudo GUI Menu <ul style="list-style-type: none"> • No Local storage & No Network • Primary Video/Audio 	<ul style="list-style-type: none"> ◆ iHD : Real iHD function <ul style="list-style-type: none"> • Browser-like Navigation • Local storage & Network: Download, Binding • Dual Video/Audio: PIP, Re-encoding of mixed audios
PC Contents	<ul style="list-style-type: none"> ◆ Not supported 	<ul style="list-style-type: none"> ◆ JPEG Photo, MP3/WMA Music ◆ DivX □ 3Gen

Appendix. HD- Title (Hollywood)

HD-DVD (151)

51.5%



Universal Studio(57)



Warner (22)



Genius Productions

Genius Productions(5) Weasel Disc(4)

Weasel Disc Records



Brentwood(4)



Ryko Distribution(3)



Image Entertain.(3)



Paramount(2)



Koch Entertainment(1)

BD & HD-DVD(50)

동시 출시 율 20.6%



Warner (32)



Paramount(13)

Weasel Disc Records

Weasel Disc(3)



Magnolia Products(1)



RED Distribution (1)

BD (141)

48.5%



Sony Pictures (31)



LIONSGATE

Lions Gate(11)



Buena Vista (16)



Magnolia Products(6) RED Distribution (4)



Sony Music Video(2)

Weasel Disc Records

Weasel Disc(1)



RCA(1)



Paramount(1)

Total:242type/292title(06.12.26)