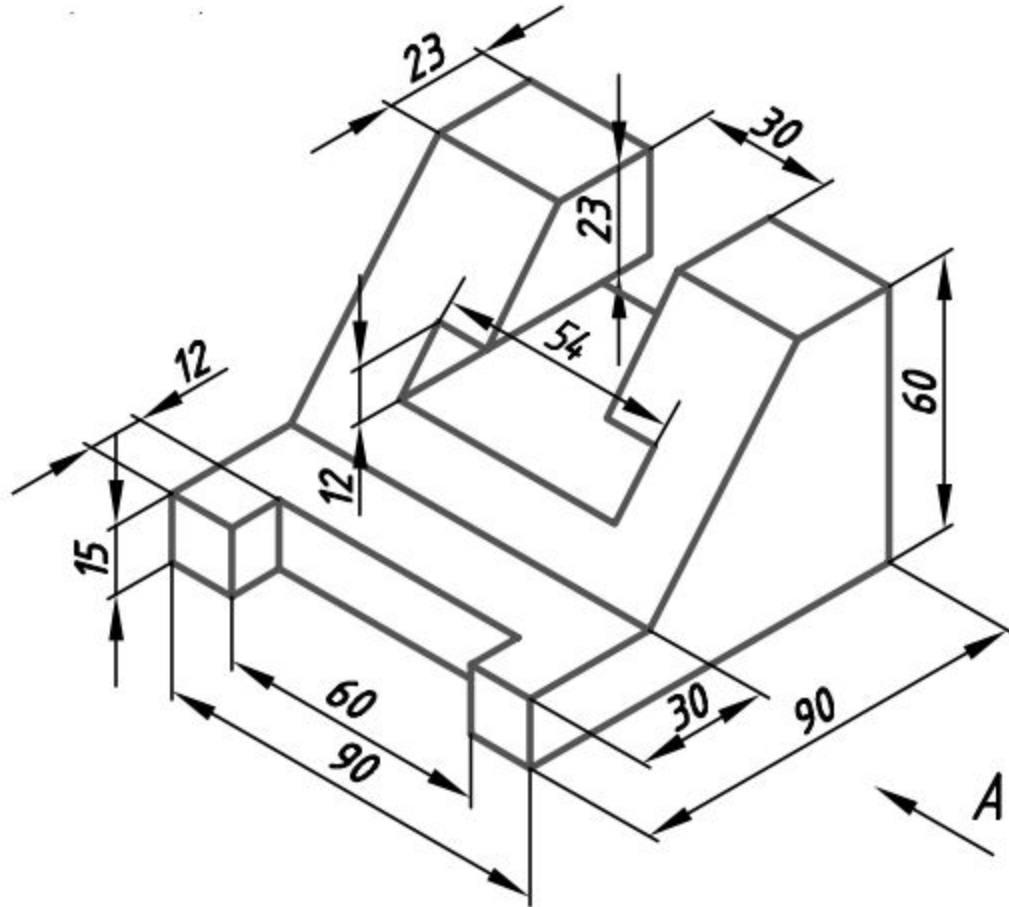


*Example of drawing*

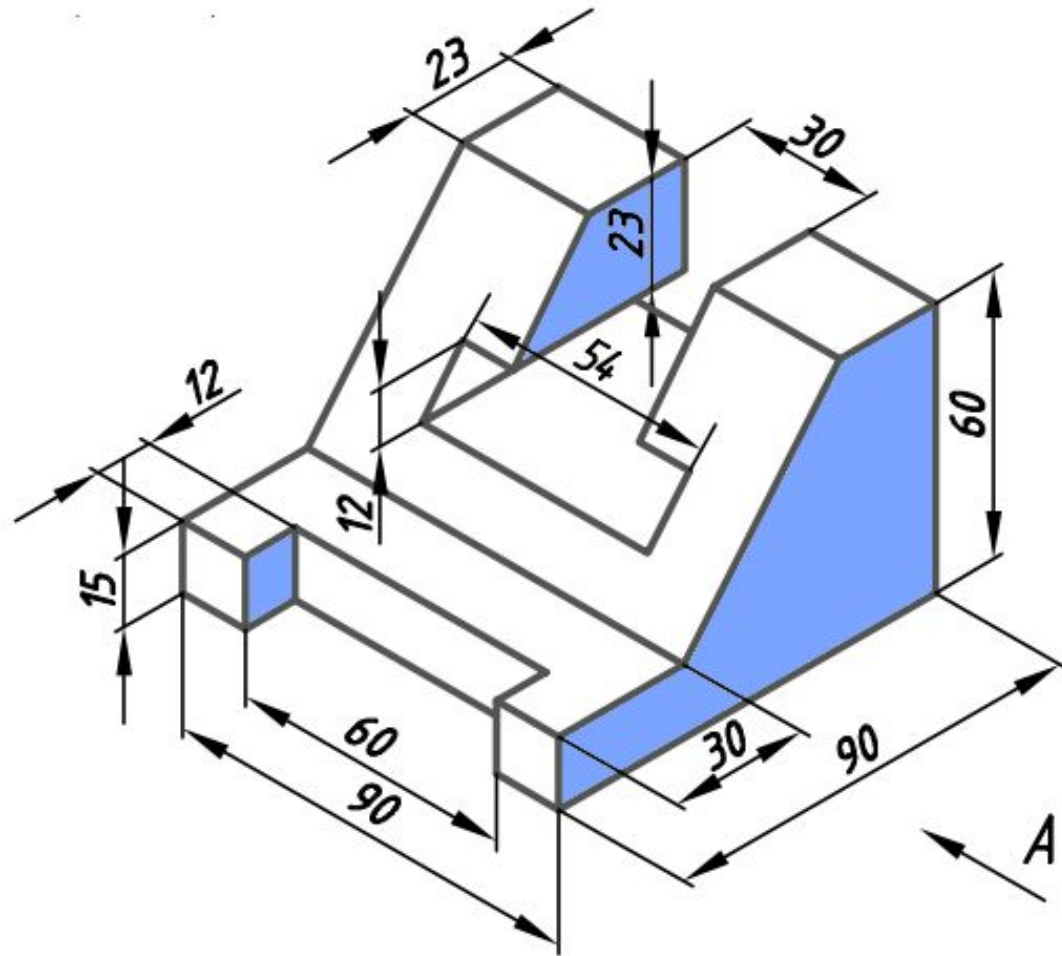
Task: draw 3 views of detail, draw dimensions.



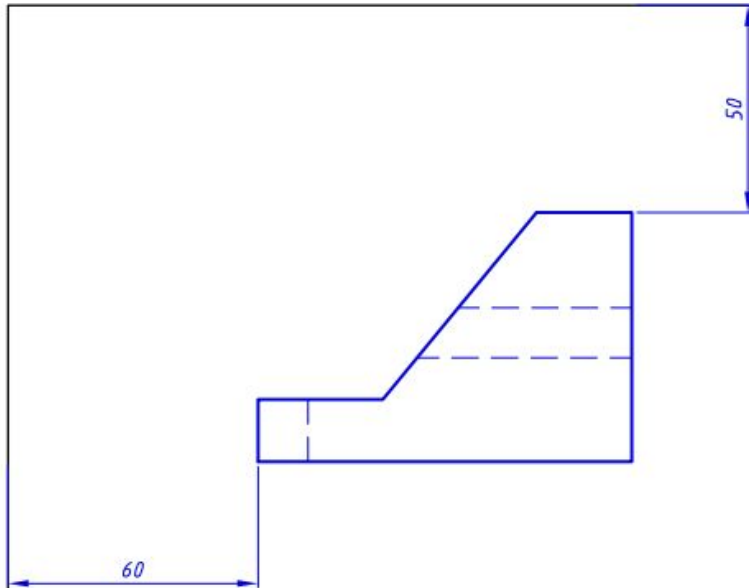
Draw frame and title block.

					<i>IG 03.05</i>			
<i>Rev</i>	<i>Sheet</i>	<i>Docum. N°</i>	<i>Signature/Date</i>		<i>Projection drawing</i>	<i>Litt</i>	<i>Massa</i>	<i>Scale</i>
<i>Designed</i>	<i>Nathaniel</i>							
<i>Inspector</i>	<i>Dronova</i>					<i>Sheet</i>	<i>Sheets</i>	
						<i>Sin-11, BSTU</i>		

Visible sides on main view

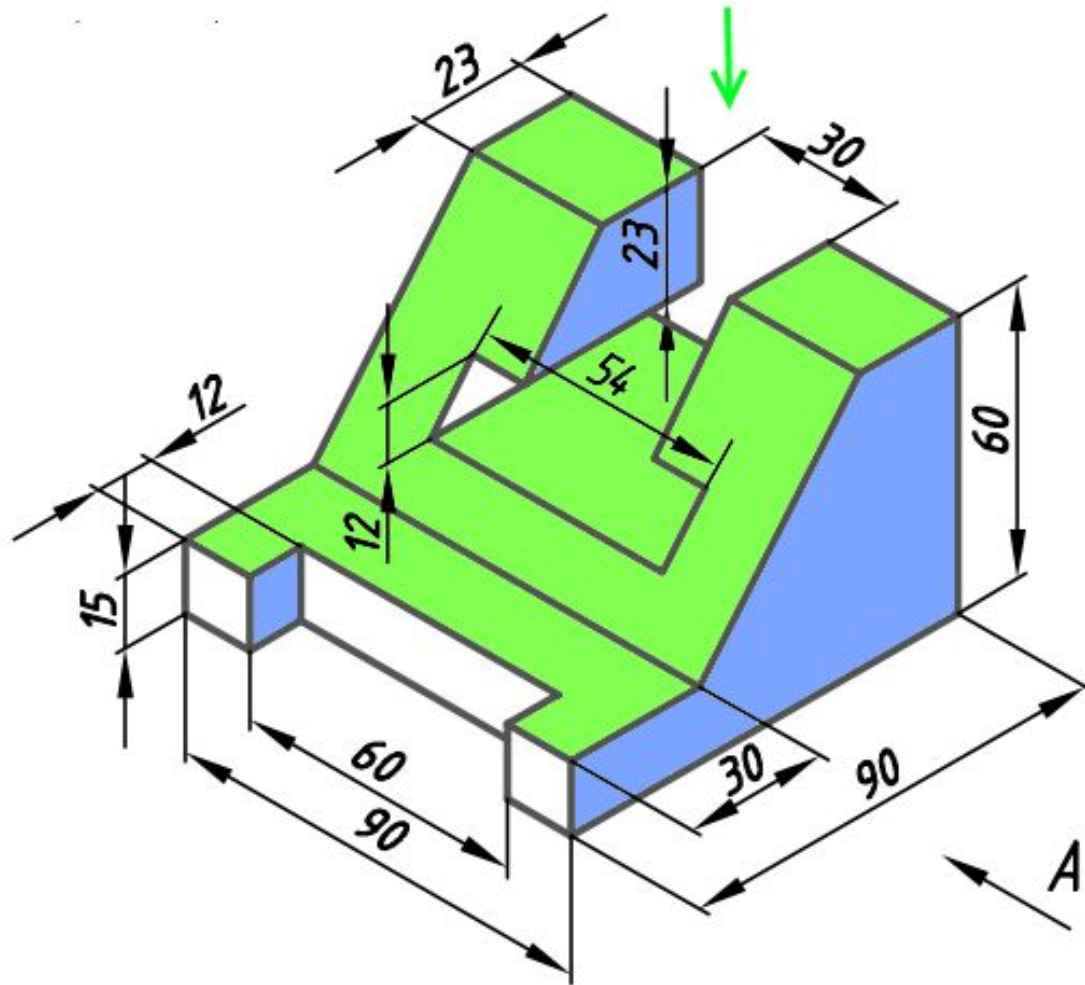


# Draw main view.

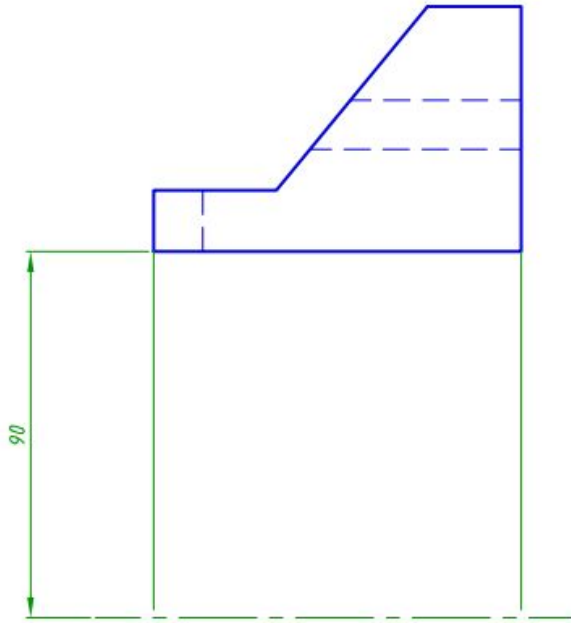


						<i>IG 03.05</i>		
						<i>Projection drawing</i>		
<i>Rev.</i>	<i>Sheet</i>	<i>Docum. N°</i>	<i>Signature</i>	<i>Date</i>		<i>Litt</i>	<i>Massa</i>	<i>Scale</i>
						<i>Sheet</i>	<i>Sheets</i>	
						<i>Sin-11, BSTU</i>		

Visible sides on top view.



Draw main view right under top view.

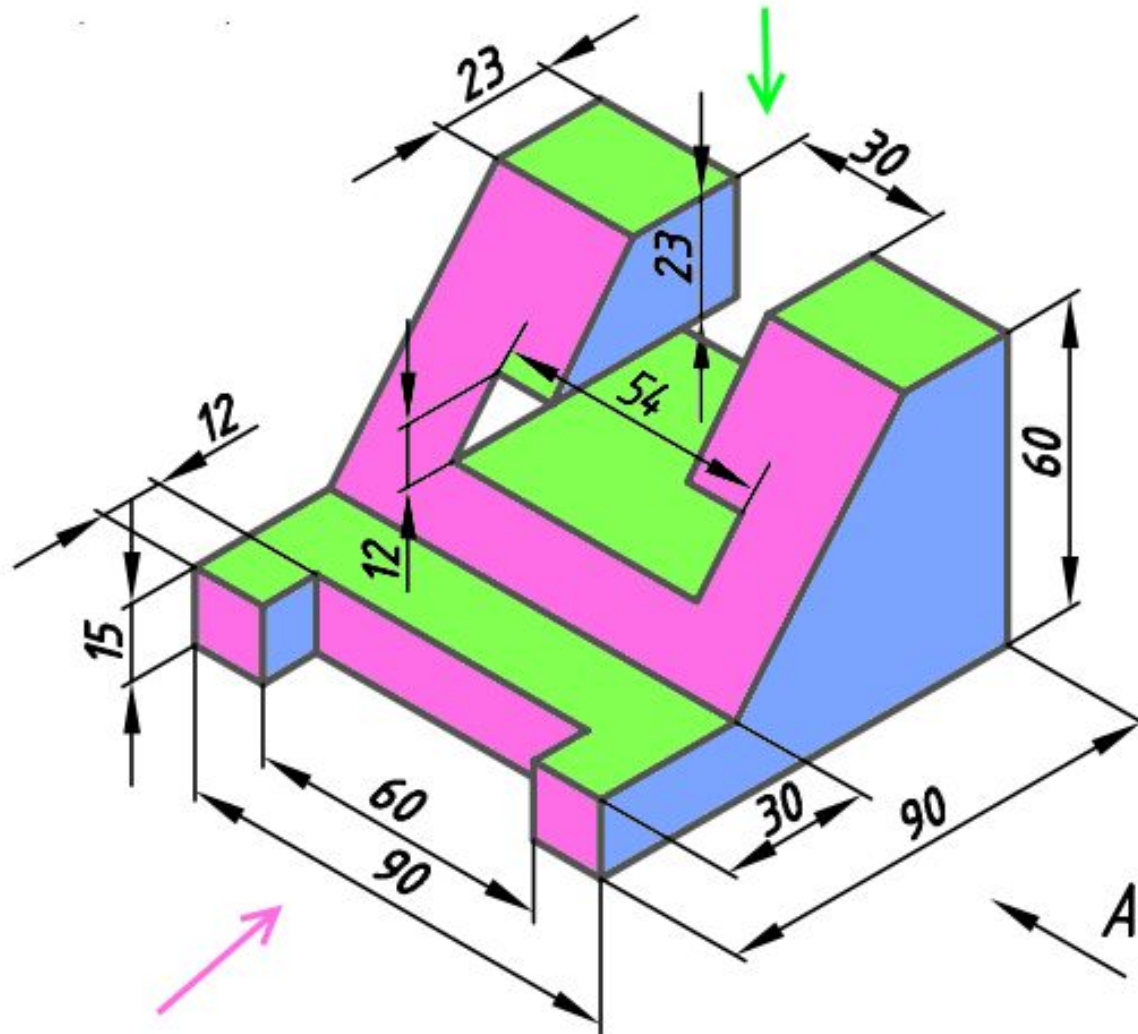


					<i>IG 03.05</i>	<i>Projection drawing</i>	<i>Lift</i>	<i>Massa</i>	<i>Scale</i>
<i>Rev</i>	<i>Sheet</i>	<i>Docum. N°</i>	<i>Signature</i>	<i>Data</i>					
					<i>Inspector</i>	<i>Dranova</i>	<i>Sheet</i>	<i>Sheets</i>	
							<i>Sin-11, BSTU</i>		





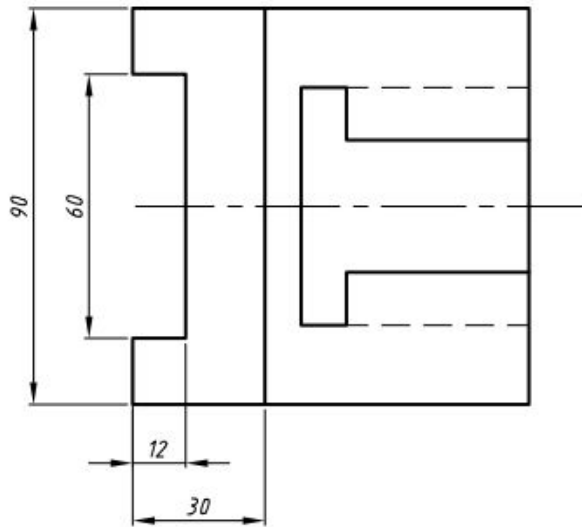
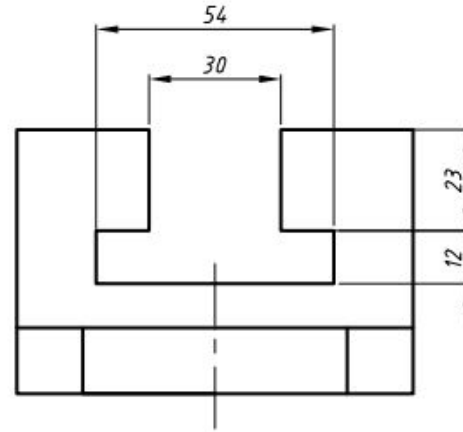
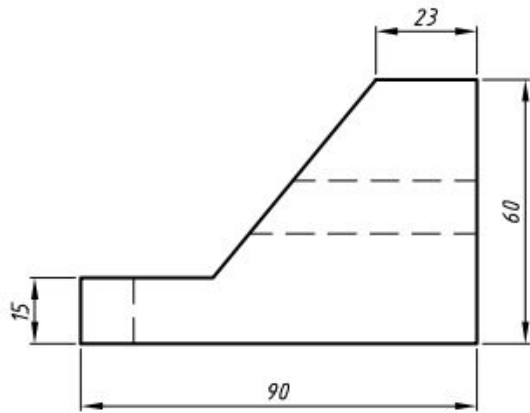
Visible sides on left side view.











						<b>IG 03.05</b>			
							<b>Projection drawing</b>	Litt	Massa
Rev.	Sheet	Docum. N°	Signature	Data					
Designed		Nathaniel							
Inspector		Dranova							
							Sheet		Sheets
							Sin-11, BSTU		