



HROU_4000

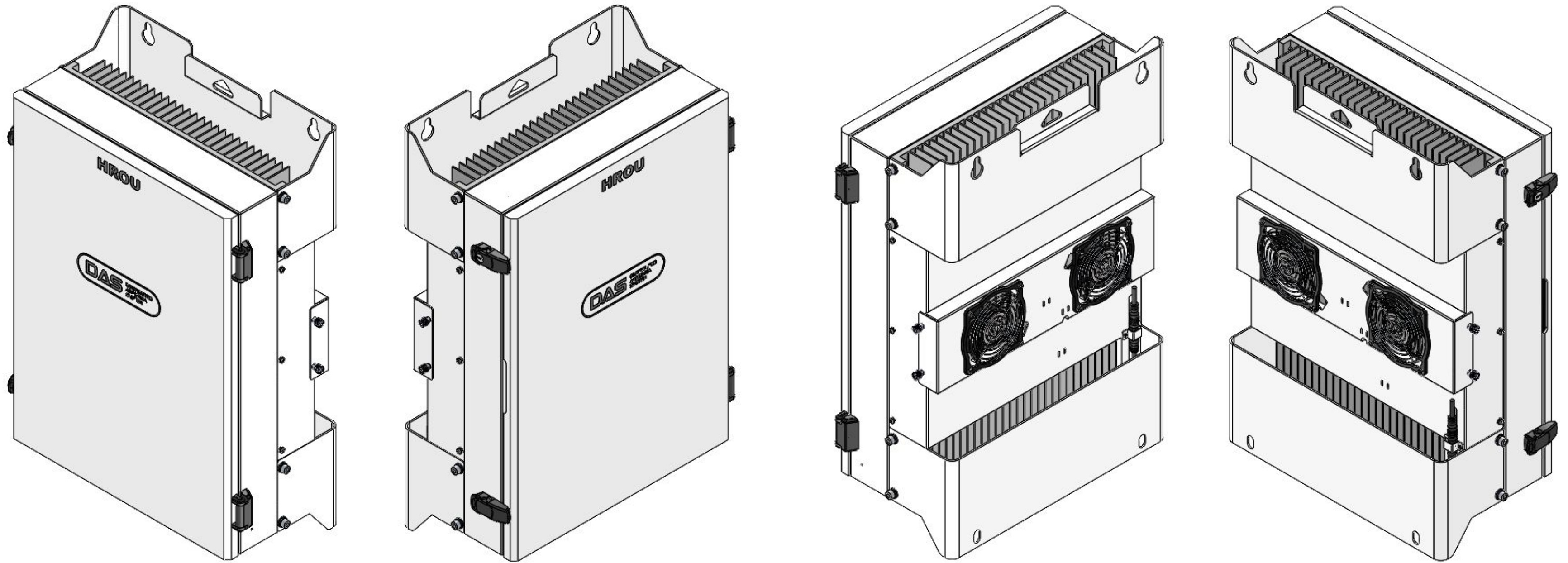
Photo Realistic Renderings



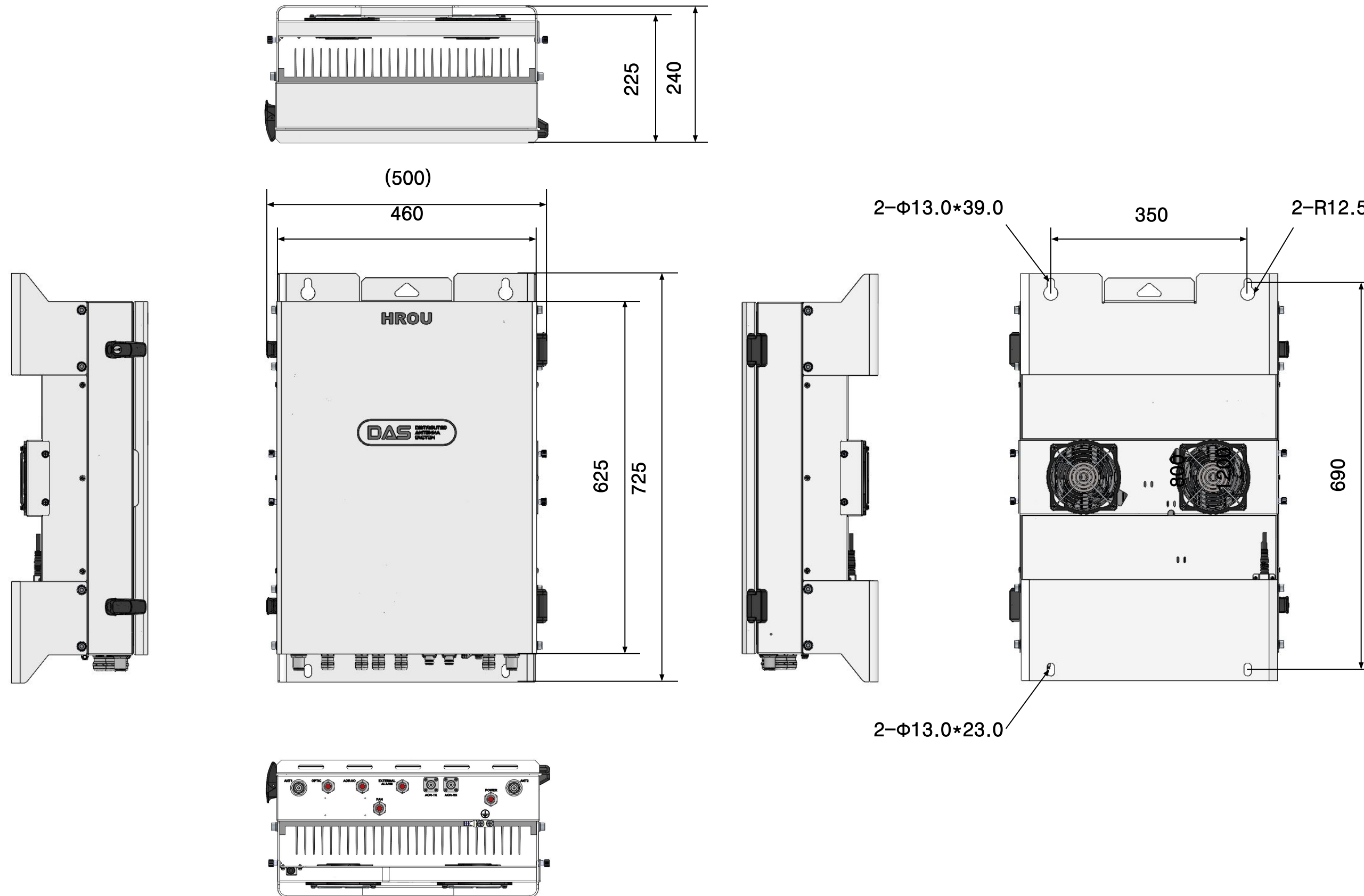
Notes

- Slides 3-14 are to provide context – this is a fiber fed assembly that outputs cellular signals inside of a building – it has modules that may be replaced in the field.
- Slides 15-16 are photos, but the the lighting and angles are not ideal
- Slides 17-18 are a couple of poor renders that lack detail, realism, etc.
- Goals
 - Photo-realistic renderings that may be used on our website, in slideware, and in social media posts.
 - We need orthogonal and isometric views of the complete assembly both with the door closed.
 - We need an orthogonal view with the door removed
 - Any of the modules that may be identified in the Parasolid file that can be rendered individually, are also desirable. We don't need every possible view of them, but a couple of ortho and a couple of iso to demonstrate what the modules look like will be useful for our product documentation
- To the extent practical, we would like to translate this work into models that can be used in 2D and 3D animations (separate contract with the same or a different freelancer as appropriate)
- For reference to photo-realistic renderings of other items from this product line, please watch this video:
<https://youtu.be/QSjW8ASFNFs>
- Please take color cues from the video as all the items use the same colors (powder coating as well as plastic and metal connectors)

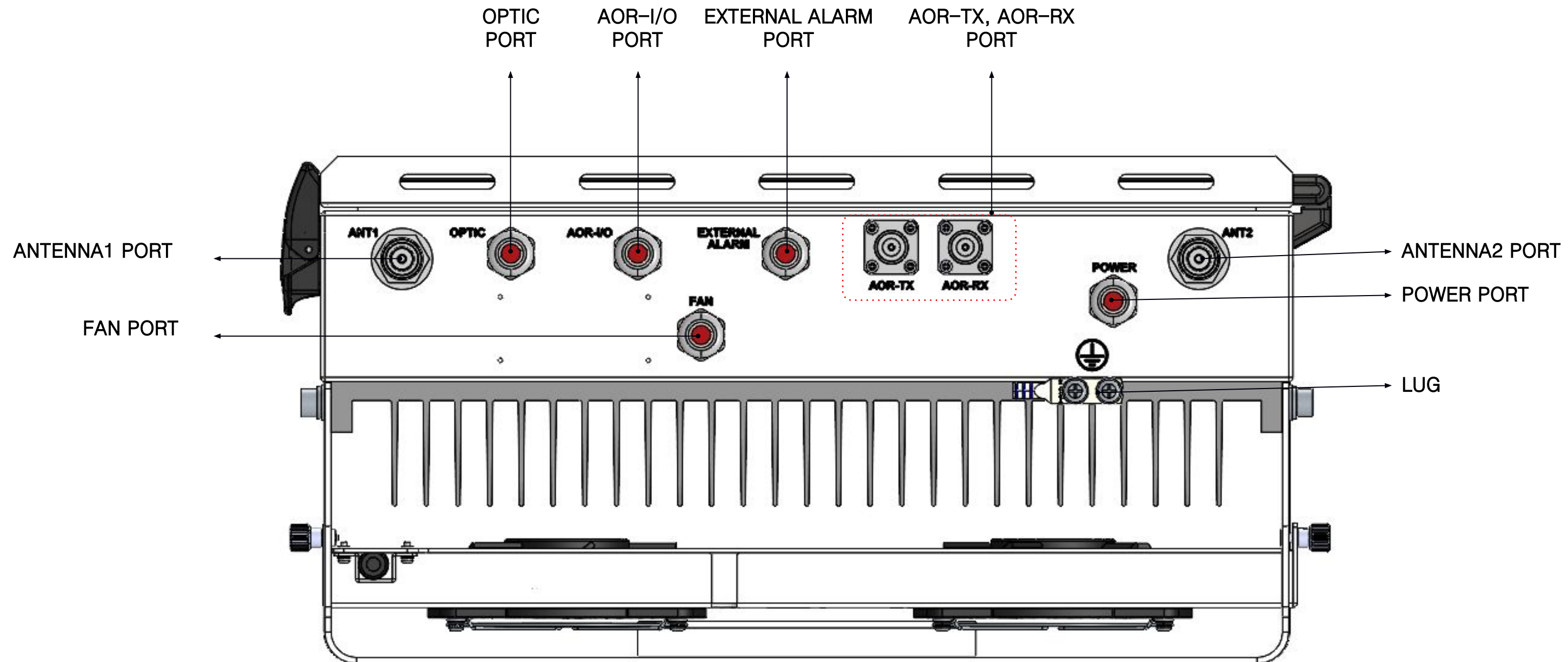
1. HROU-4000



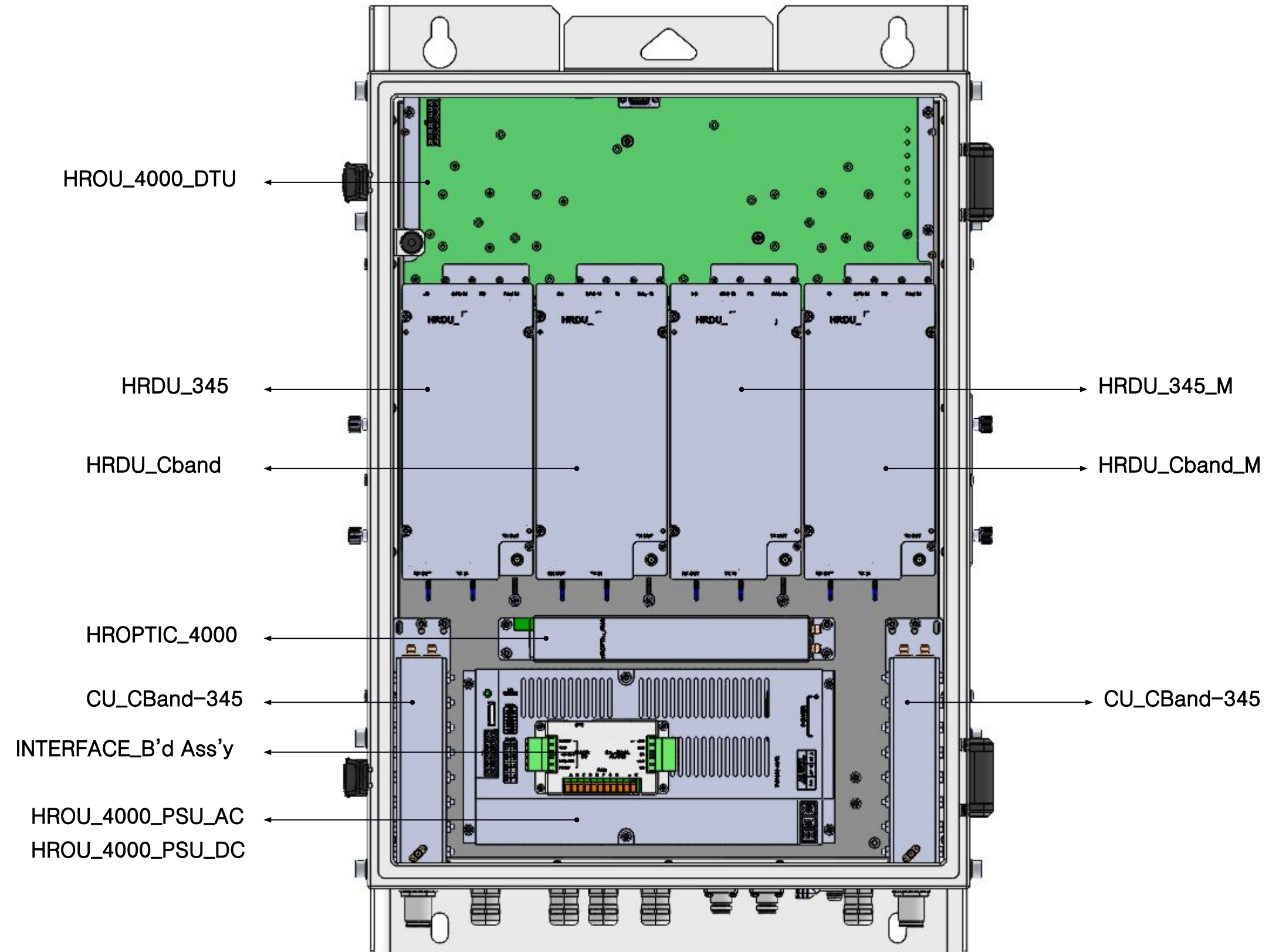
2. HROU-4000 Appearance



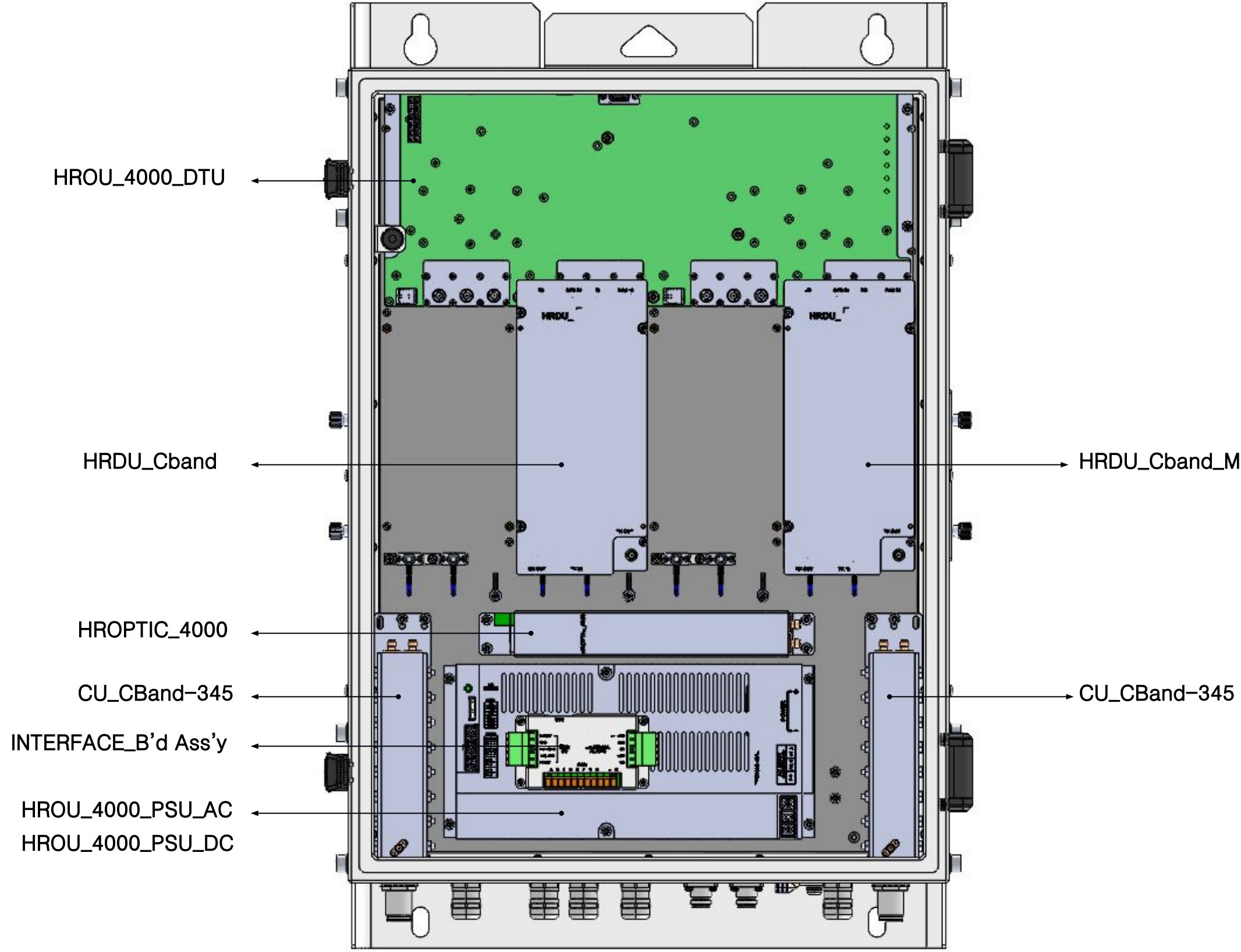
3. HROU-4000 Interface ports



4.1 HROU-4000 Internal structure

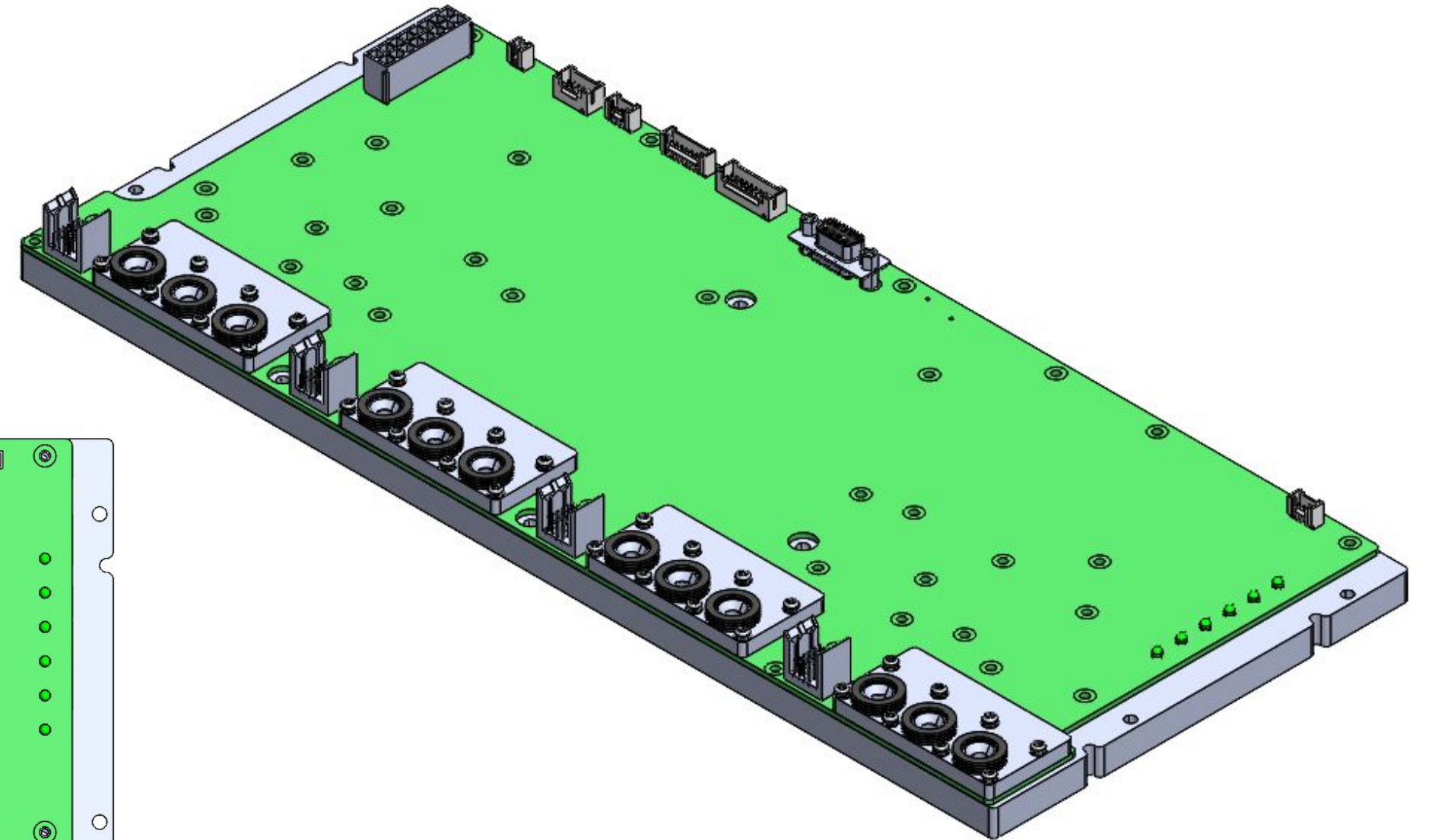
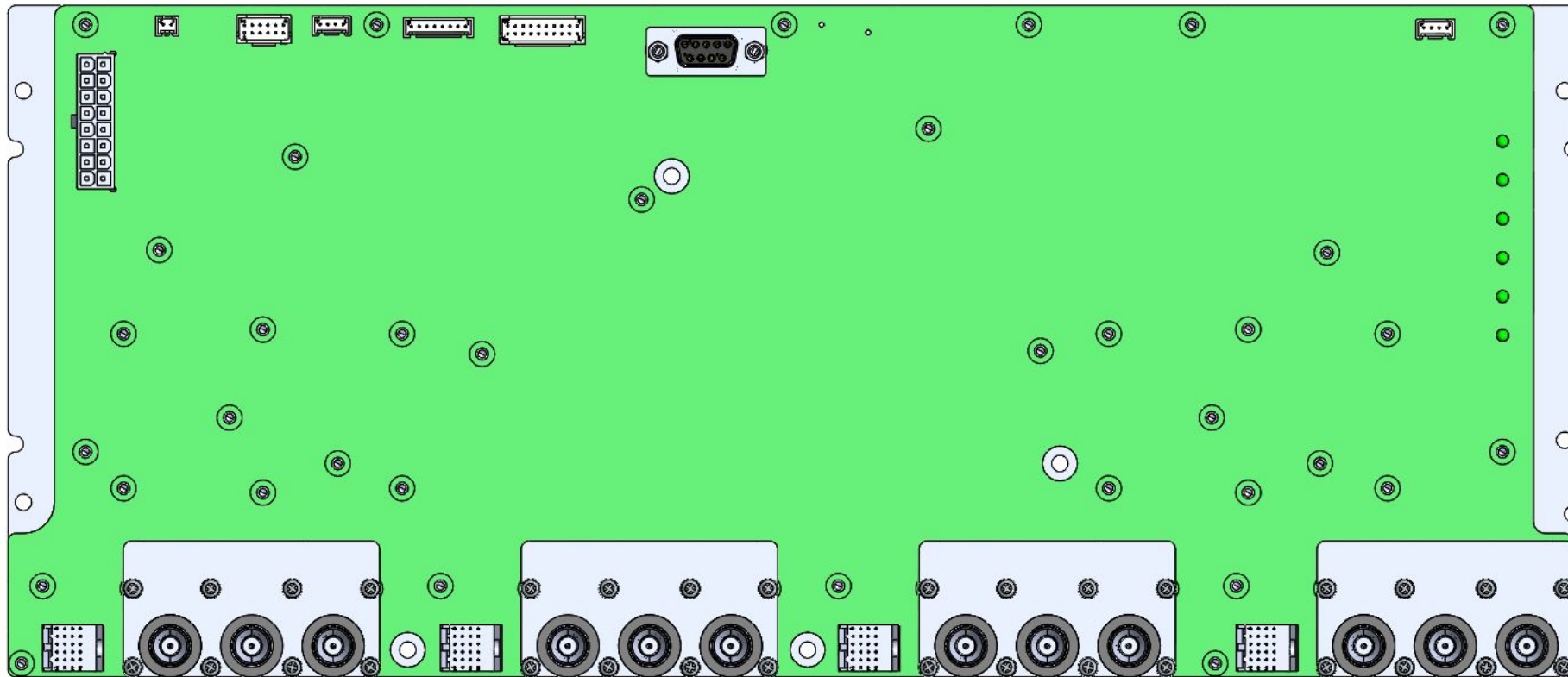


4.2 HROU-4000 Internal structure (RDU High)



5.1. DTU

Dimension (WxHxD)	405.0 x 173.0 x 30.0mm
Weight	1.8kg



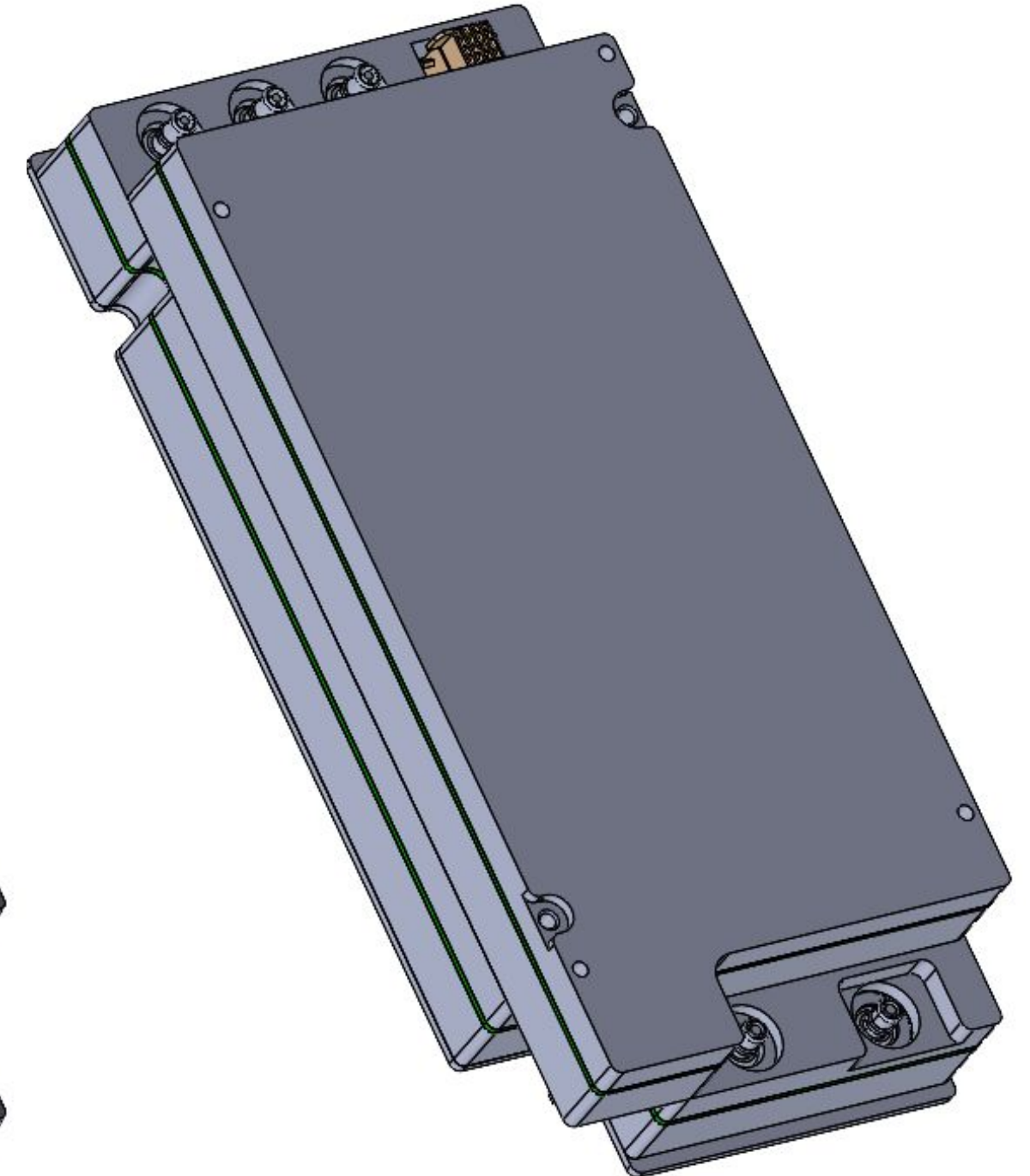
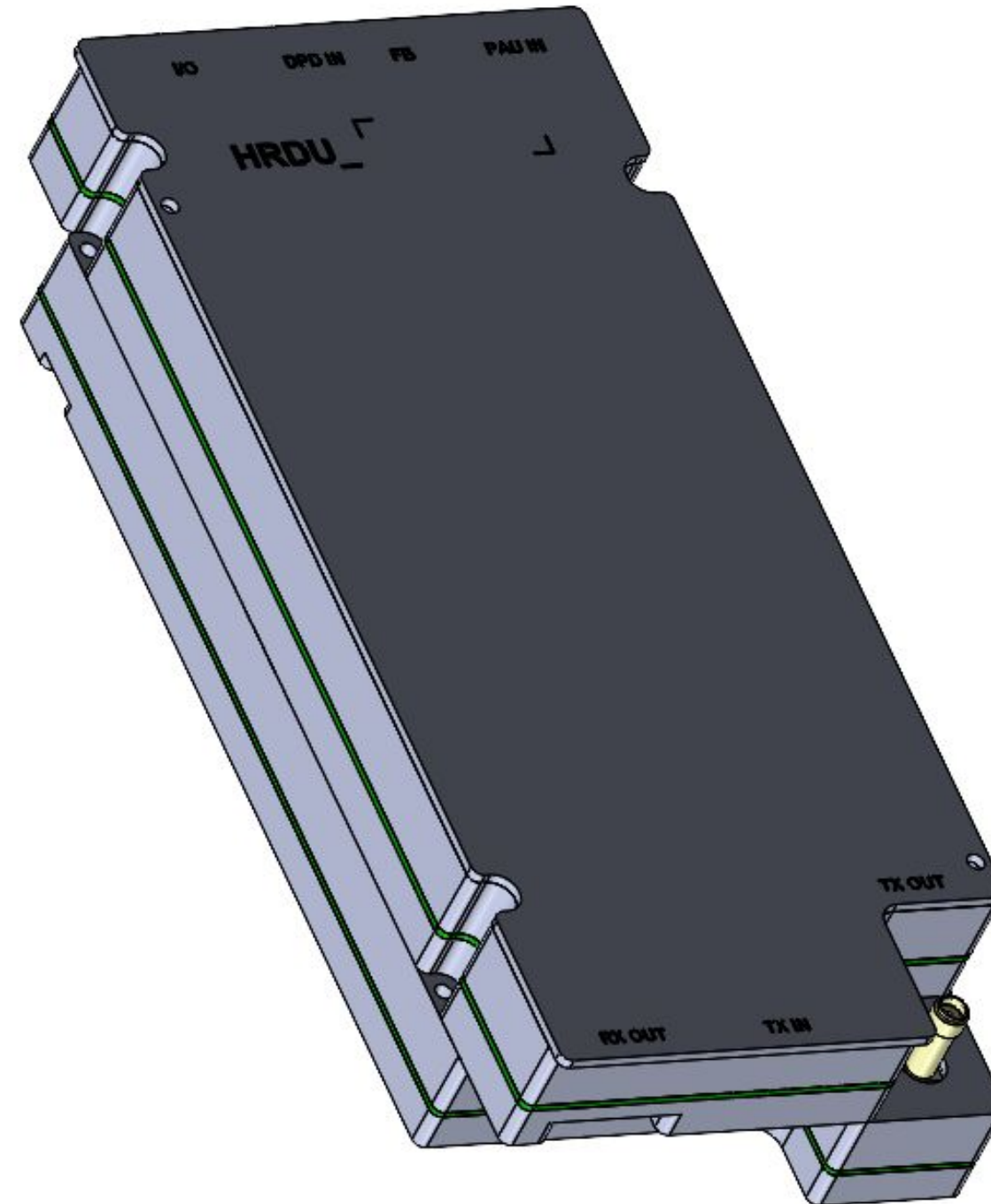
5.2. RDU

Dimension (WxHxD)

100.0 x 226.0 x
48.0mm

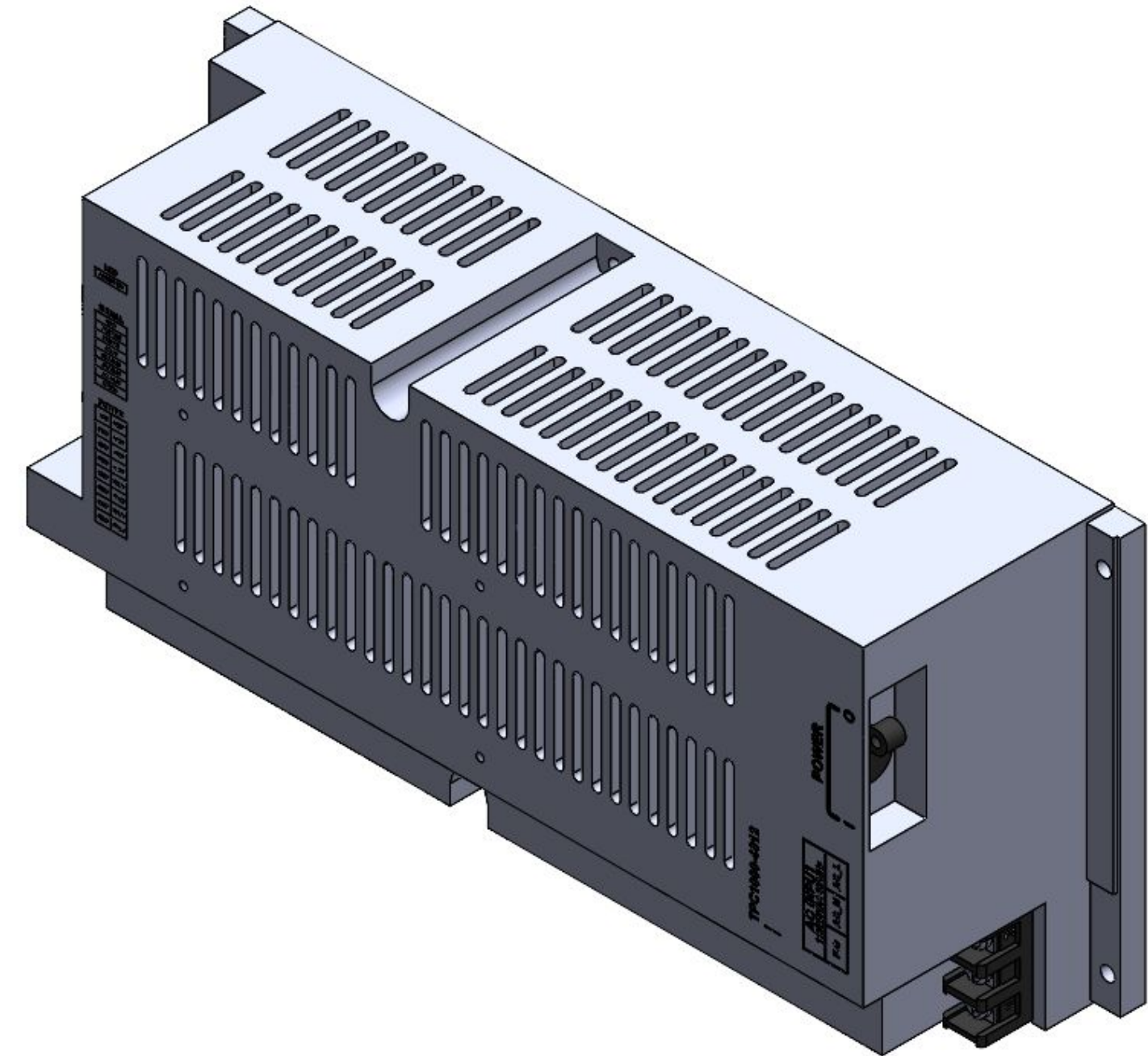
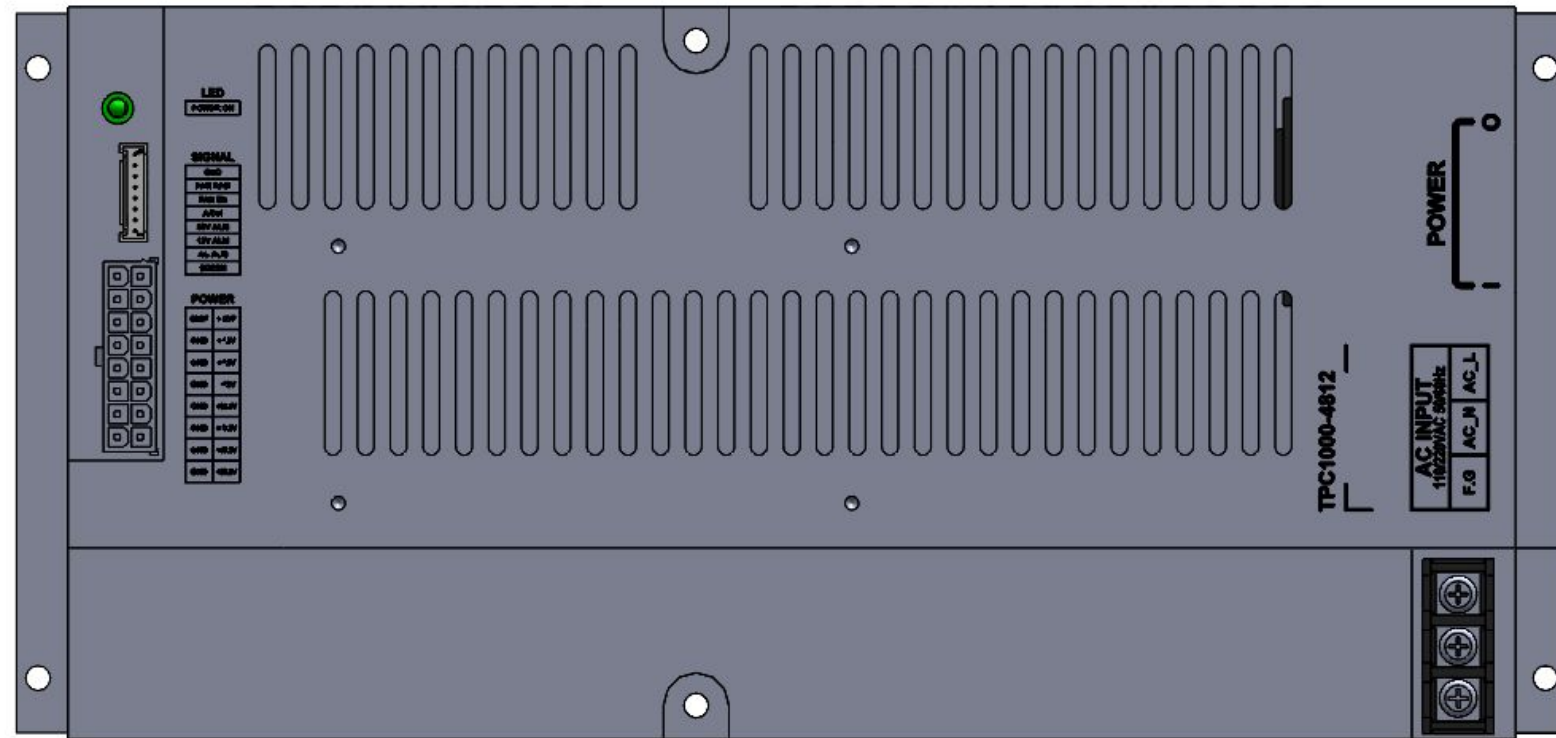
Weight

6.8kg



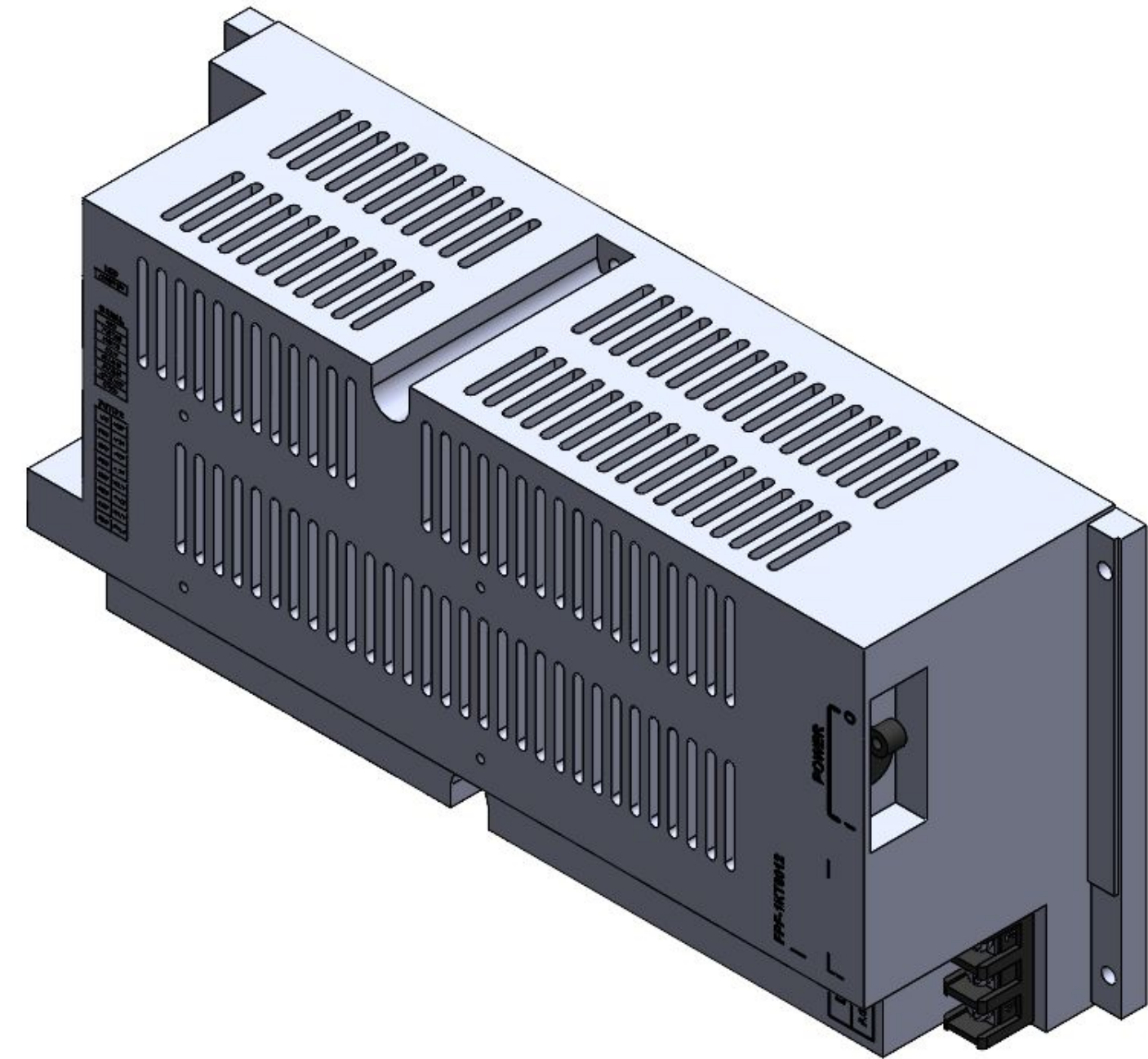
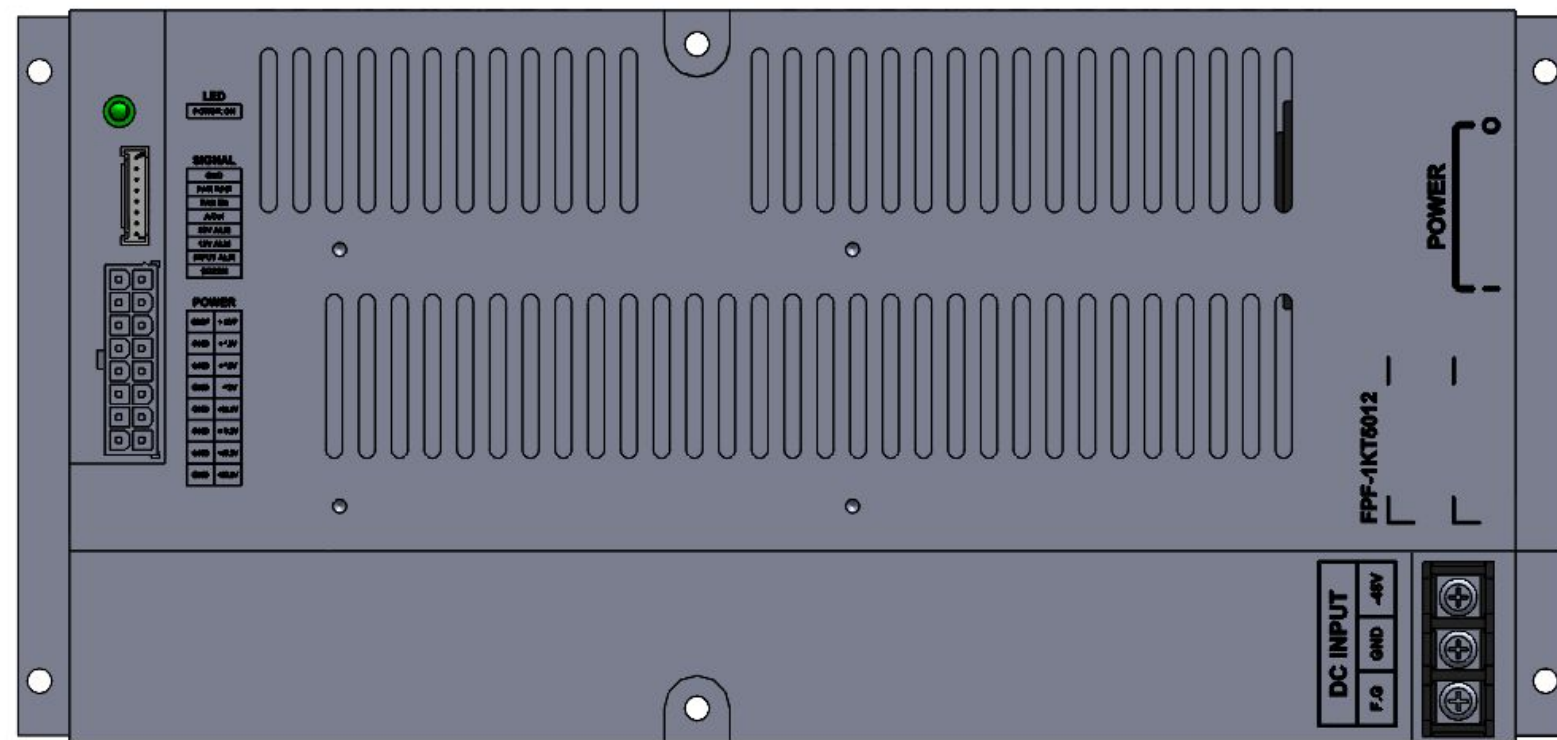
5.3. PSU-AC

Dimension (WxHxD)	284.0 x 134.0 x 80.0mm
Weight	2.0kg



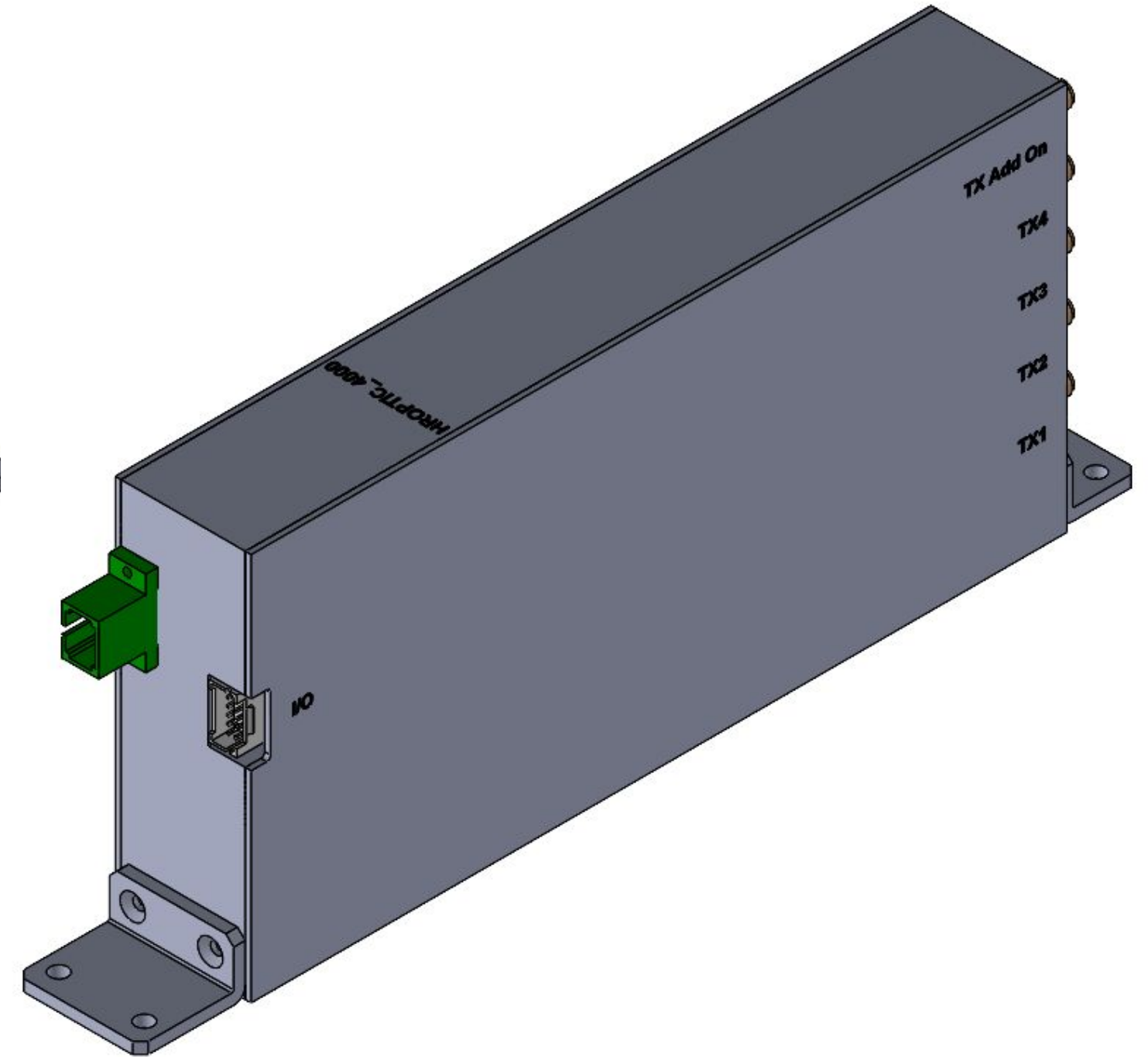
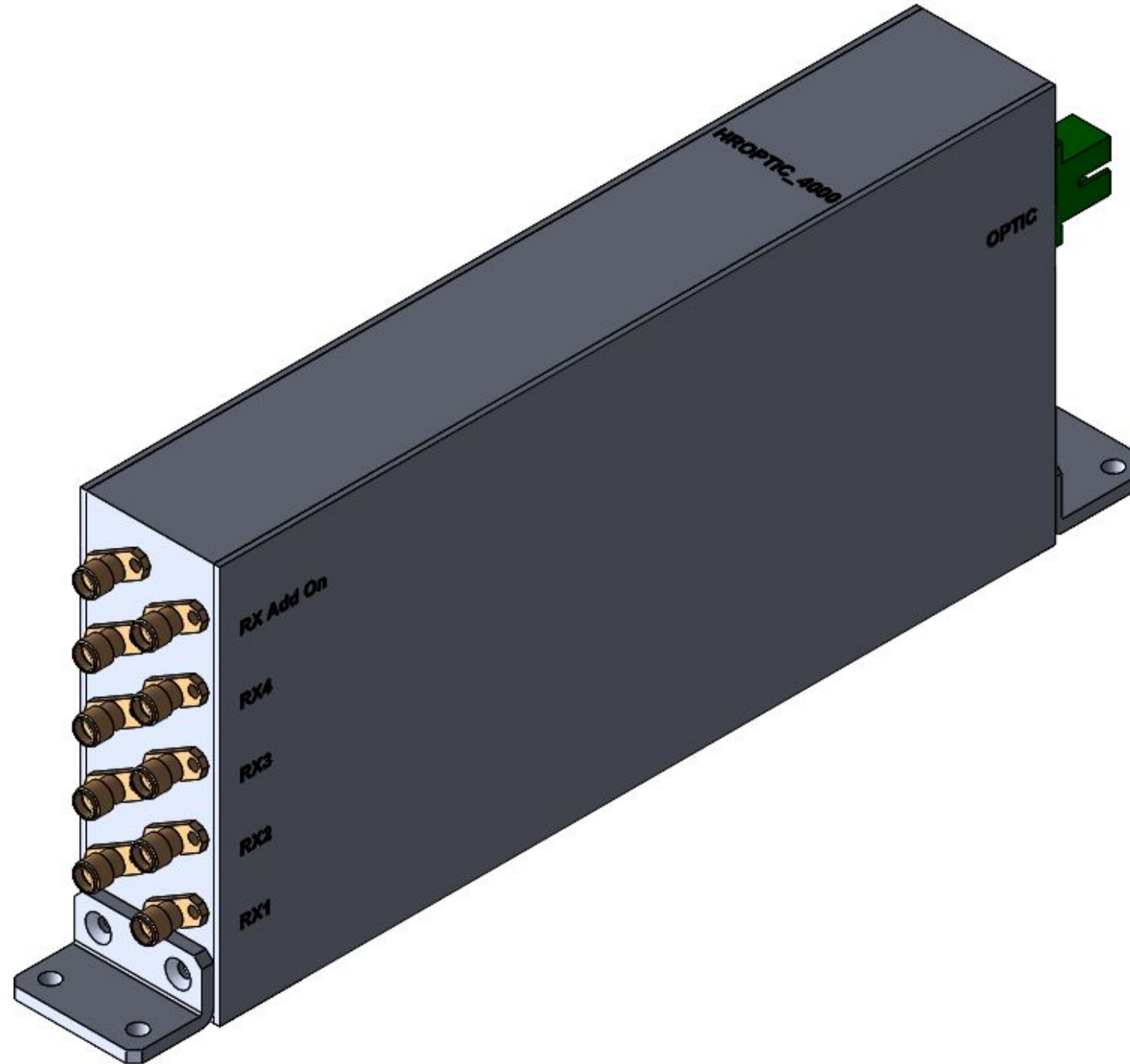
5.4. PSU-DC

Dimension (WxHxD)	284.0 x 134.0 x 80.0mm
Weight	2.0kg



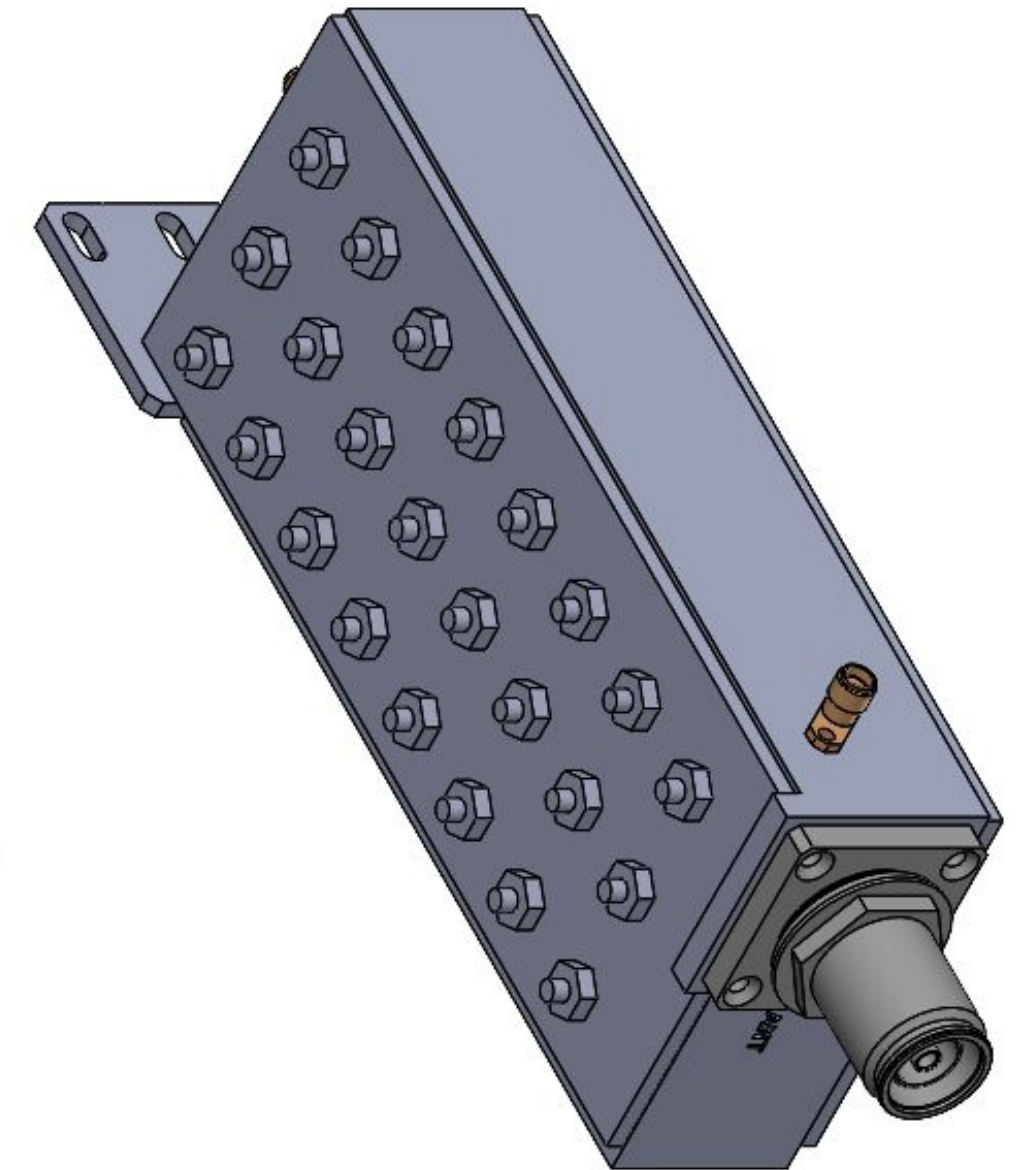
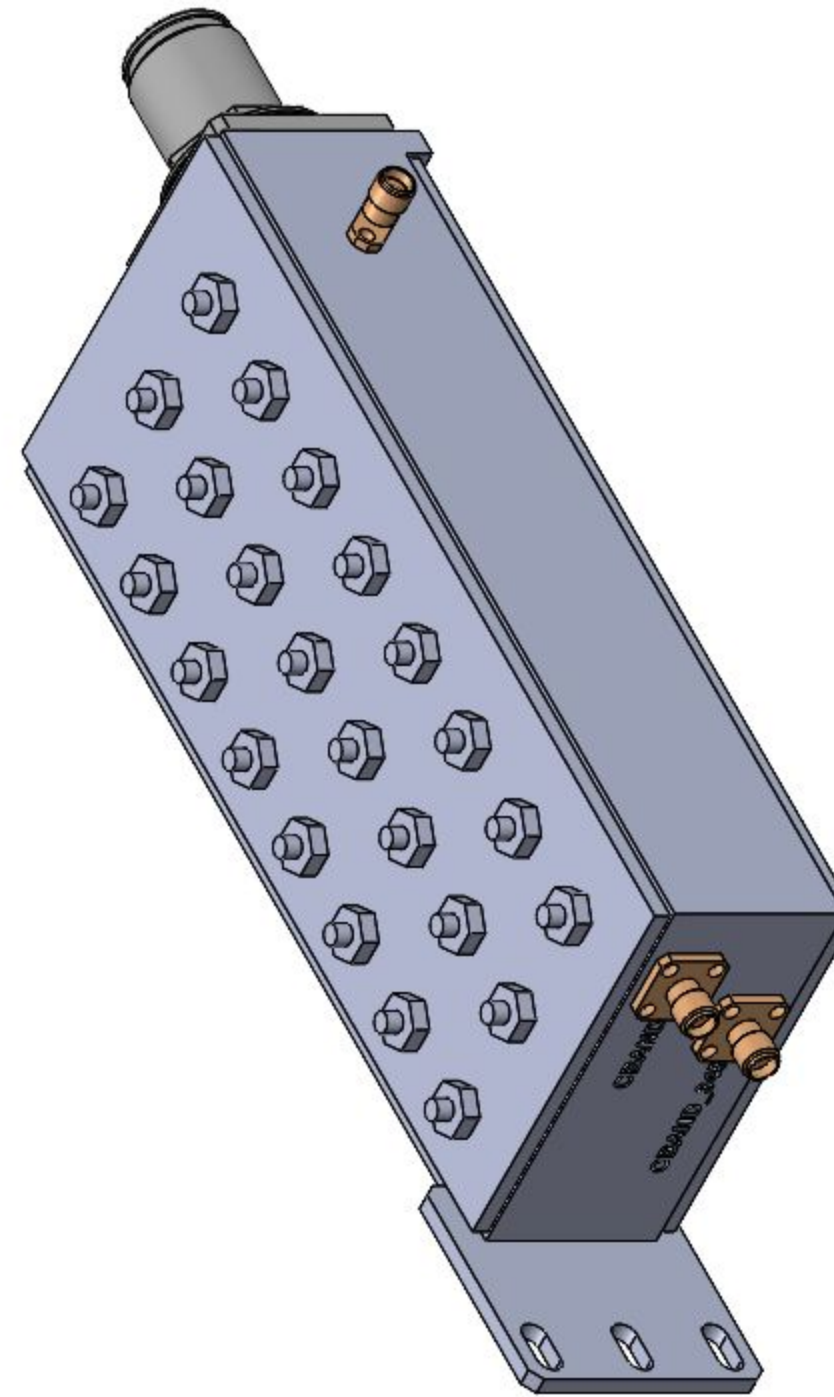
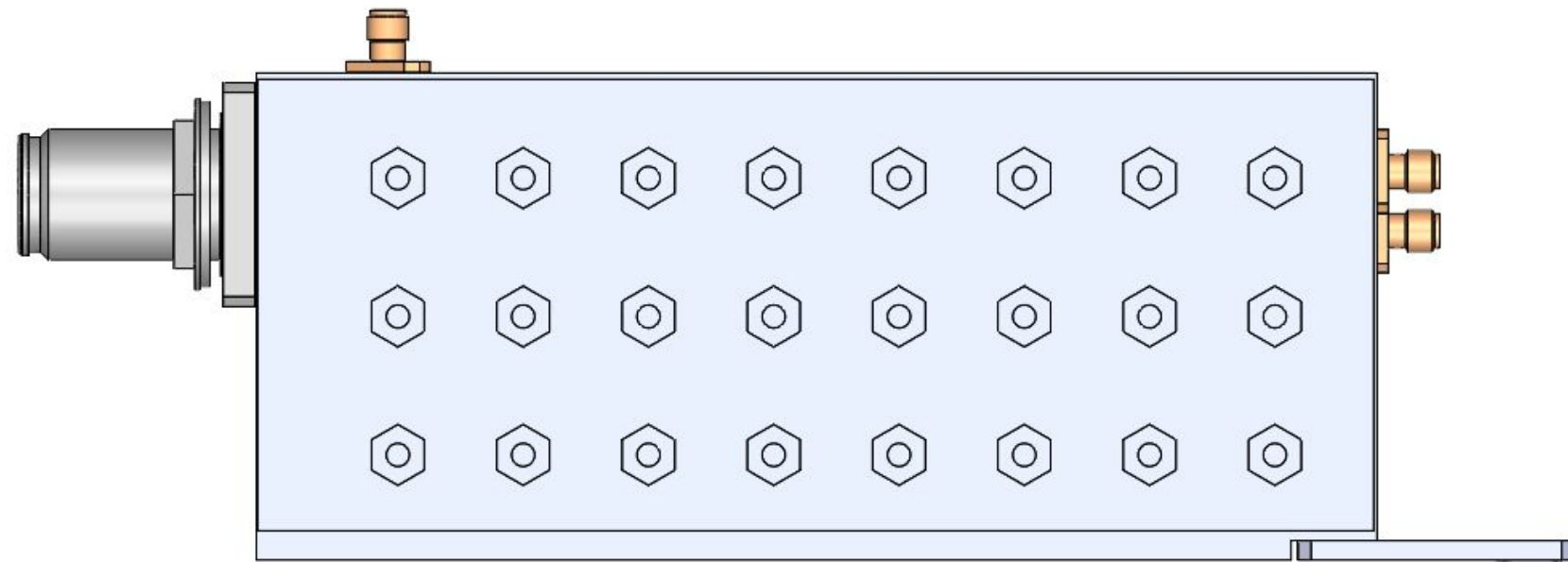
5.5. OPTIC

Dimension (WxHxD)	35.0 x 257.0 x 100.0mm
Weight	1.15kg



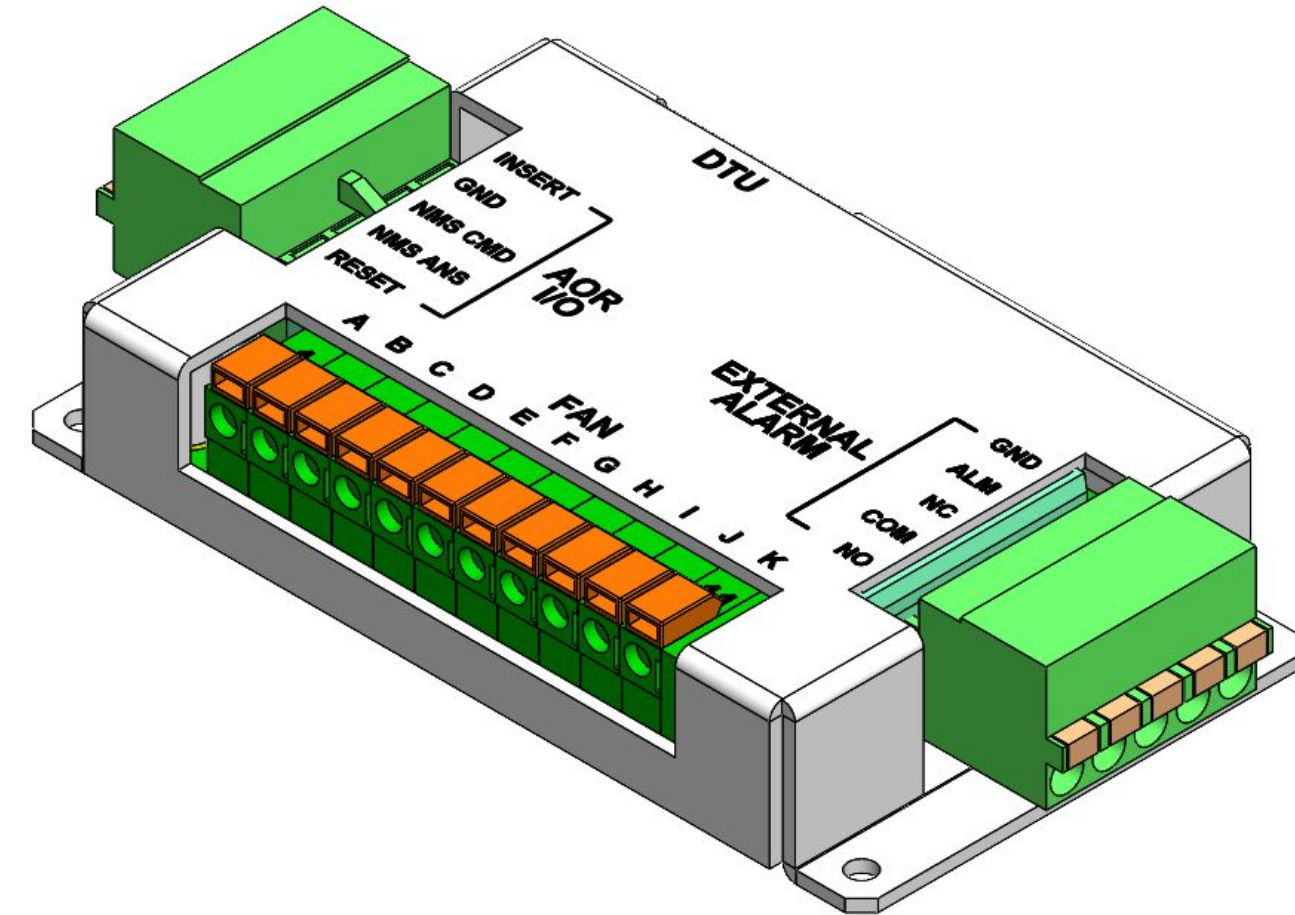
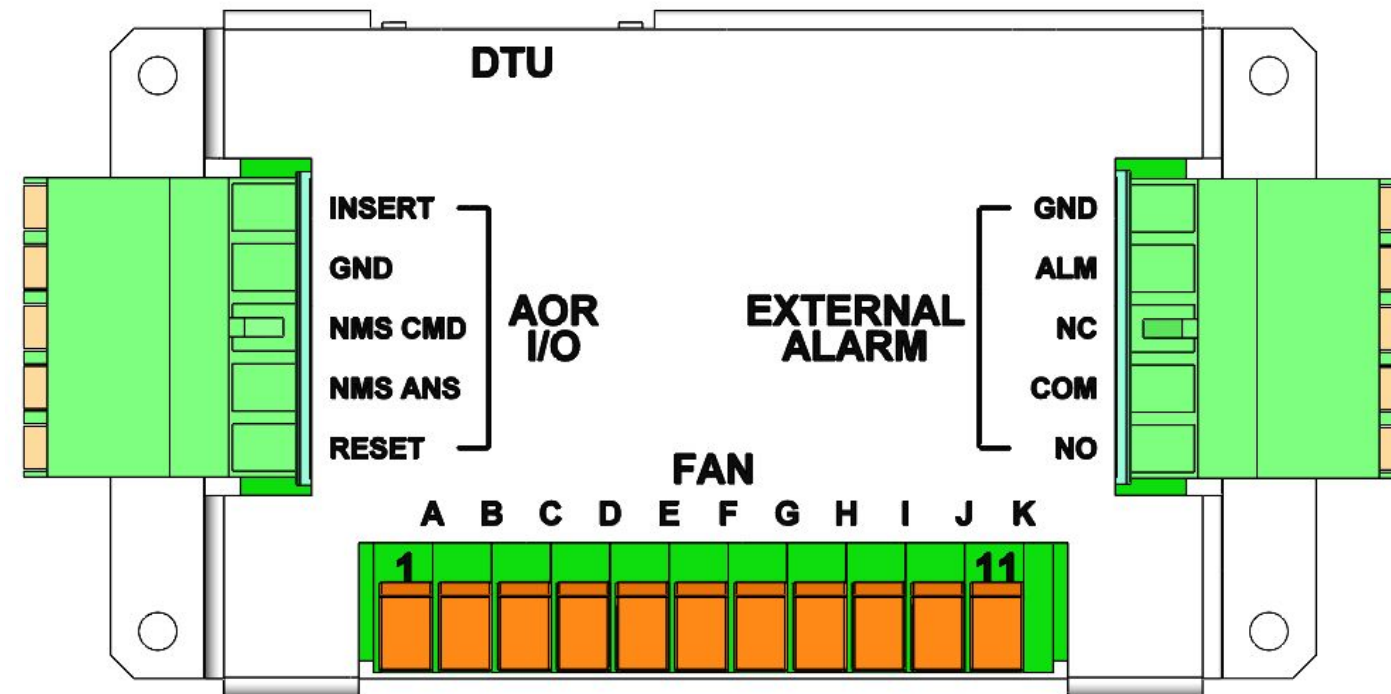
5.6. CU

Dimension (WxHxD)	236.0 x 83.5 x 50.0mm
Weight	1.0kg



5.7. INTERFACE_UNIT

Dimension (WxHxD)	102.0 x 58.0 x 18.5mm
Weight	0.1kg



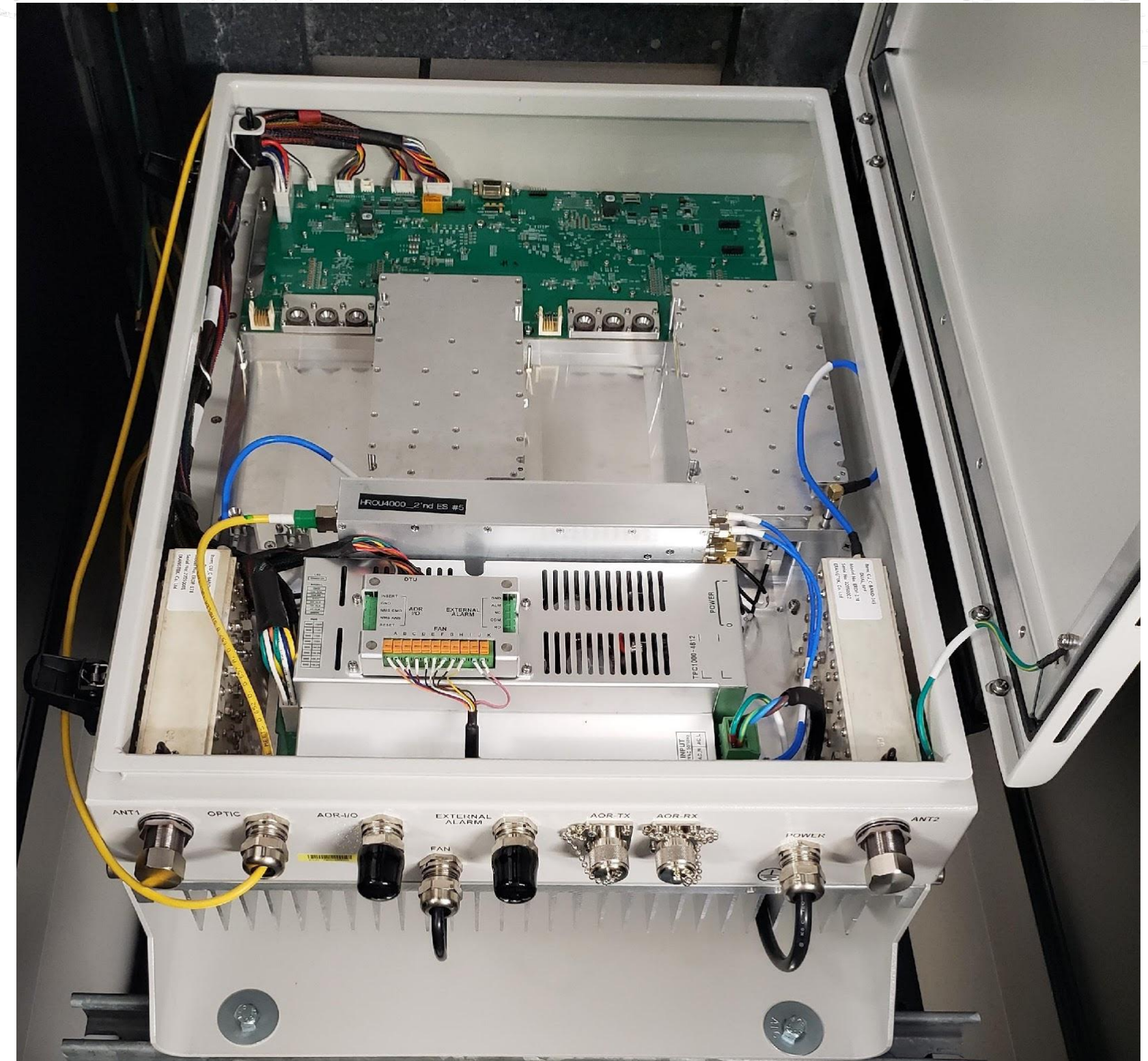
Door closed photo

- The lighting is bad here and makes it look a little yellow. I will provide better references for the color
- The yellow cable and the black cable exiting the box should be excluded



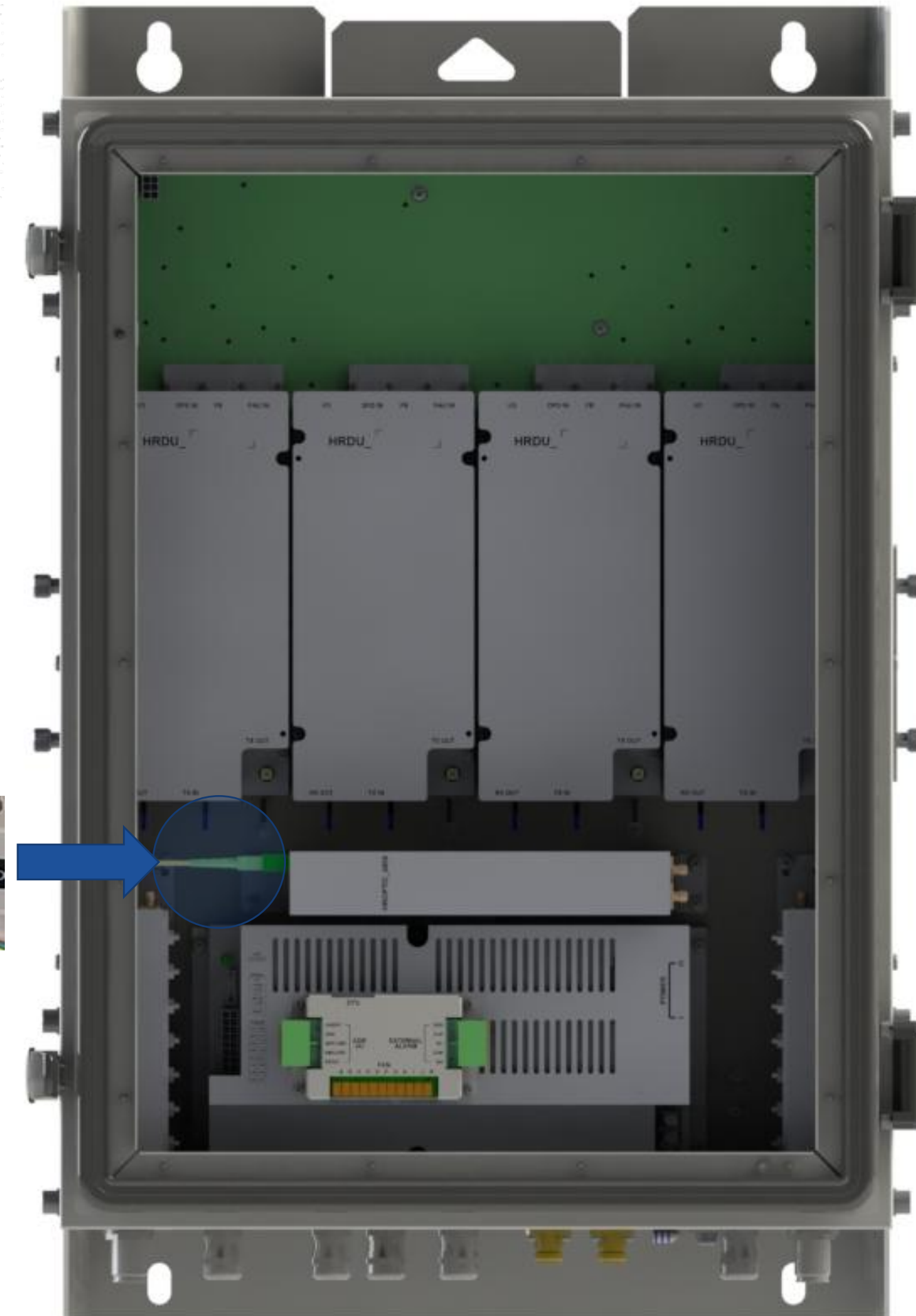
Photo – door open

- The yellow cable is a fiber optic jumper – you don't need to include that.



Bad render

- This render shows most of the internal components without the connecting cables, but it is missing the printed circuit board that is visible in the prior picture
- It also includes the stub of a fiber optic jumper – see circle.
- That cable should be eliminated if possible.
- Note the two shades of green
 - the darker green is the connector, which is part of the module.
 - Note on the prior slide picture, that part is chrome colored
- Note the lighter green with the little yellow cable – that is the stub of the fiber optic jumper – the light green and yellow should be eliminated if possible.



Only 2 of 4 amplifiers

- Same render as above with two of the modules removed

