

Nizhny Novgorod State Technical University n.a. R.E.
Alekseev

Measurement of liquid level using a reflex-radar level meter

M16-NE

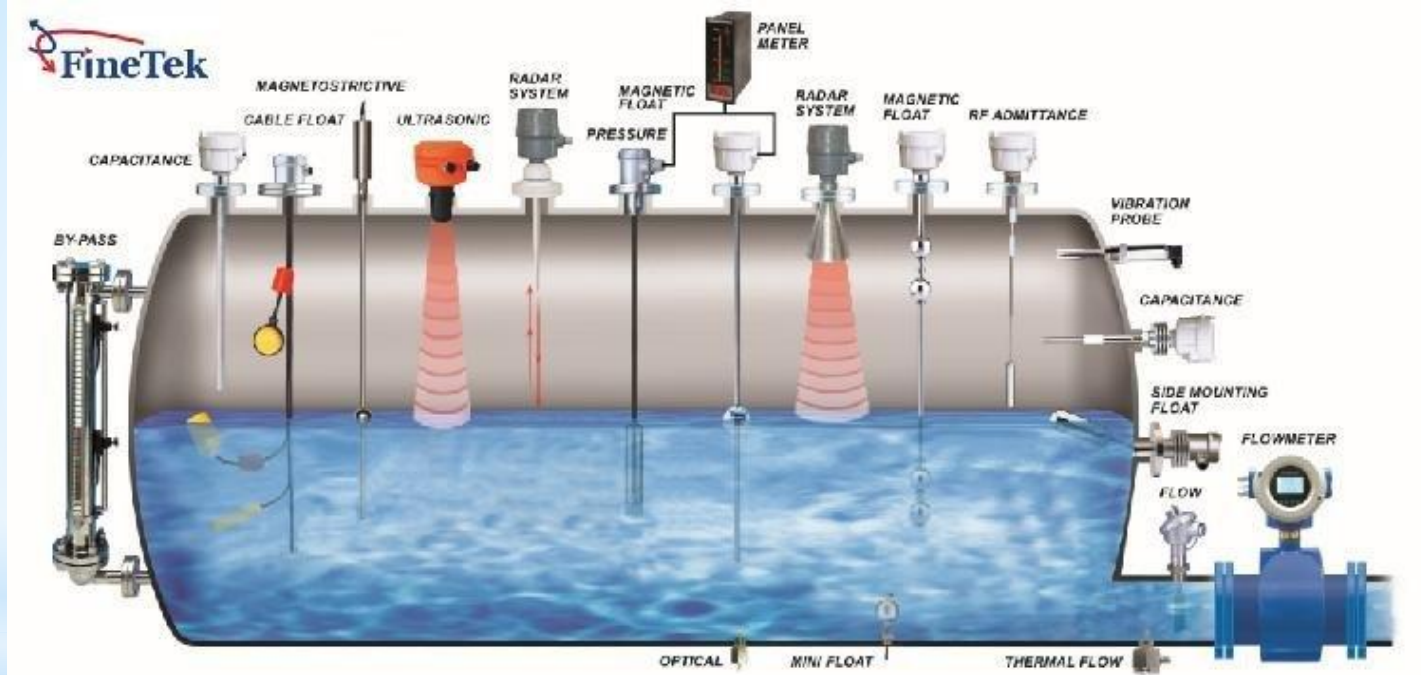
Tikhonov A.V.

Nizhny Novgorod, 2017

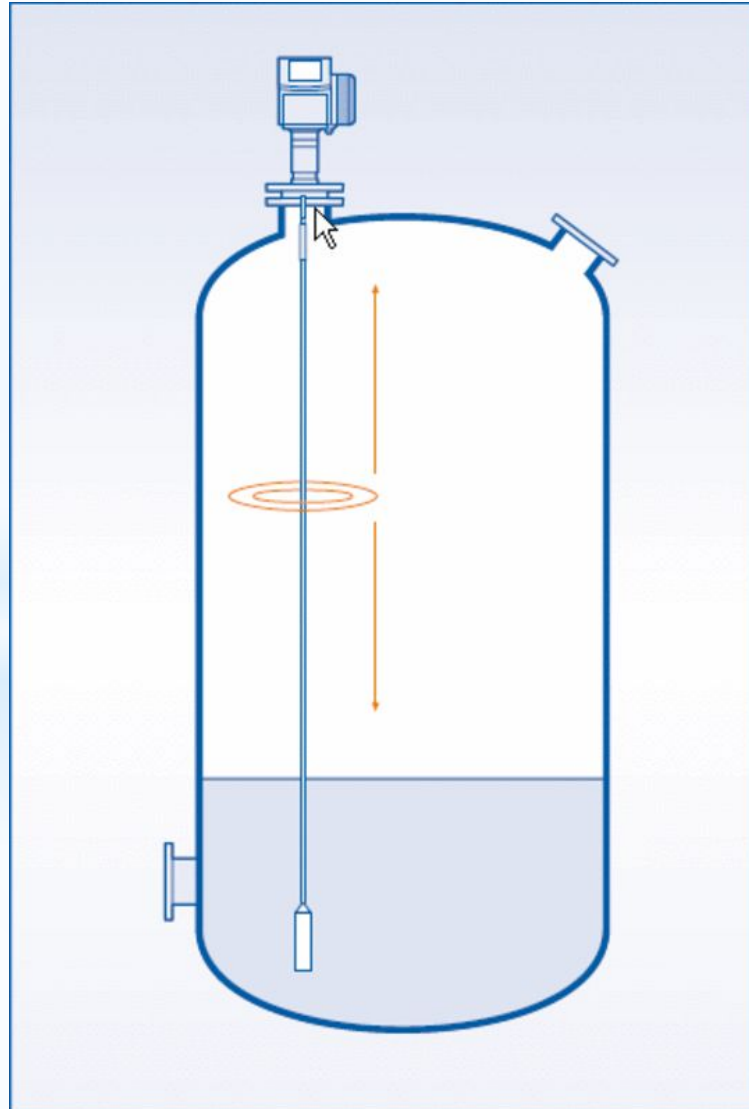


ГОСУДАРСТВЕННЫЙ ТЕХНИЧЕСКИЙ УНИВЕРСИТЕТ

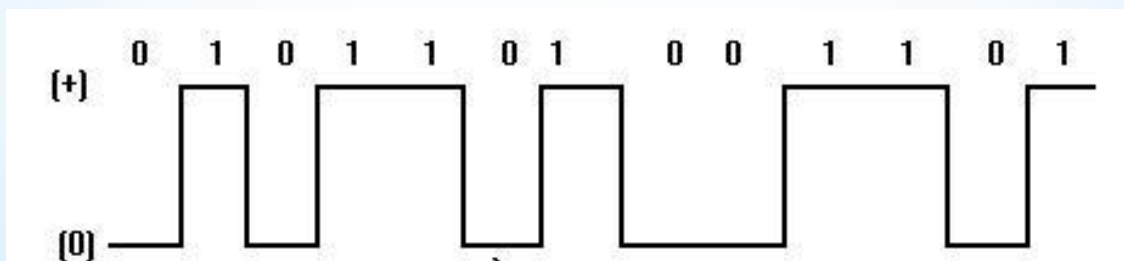
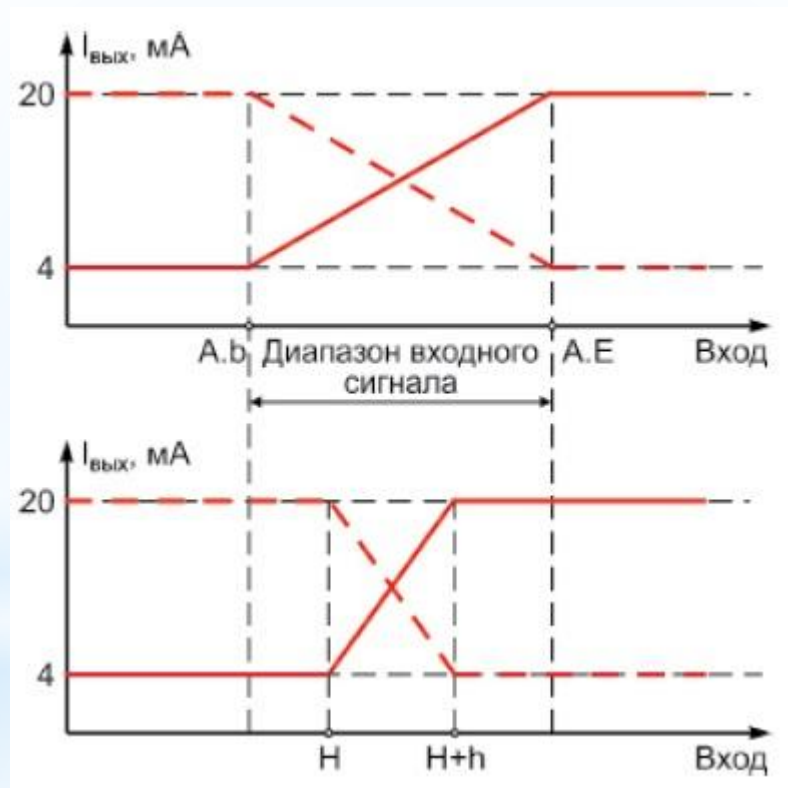
Types of level meters



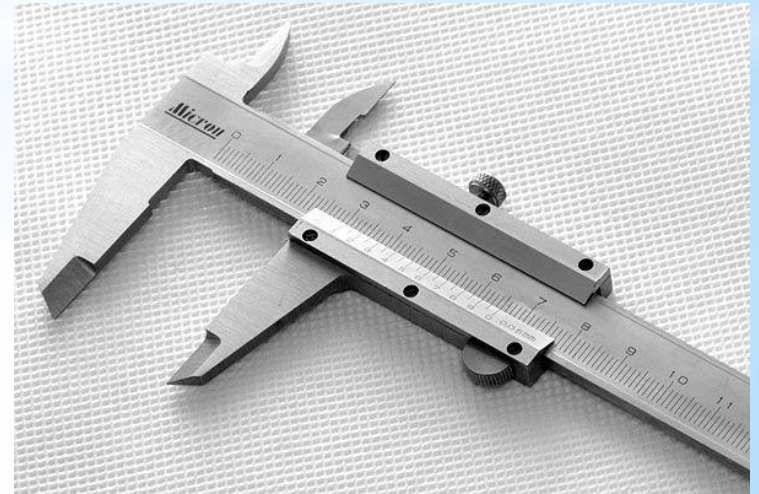
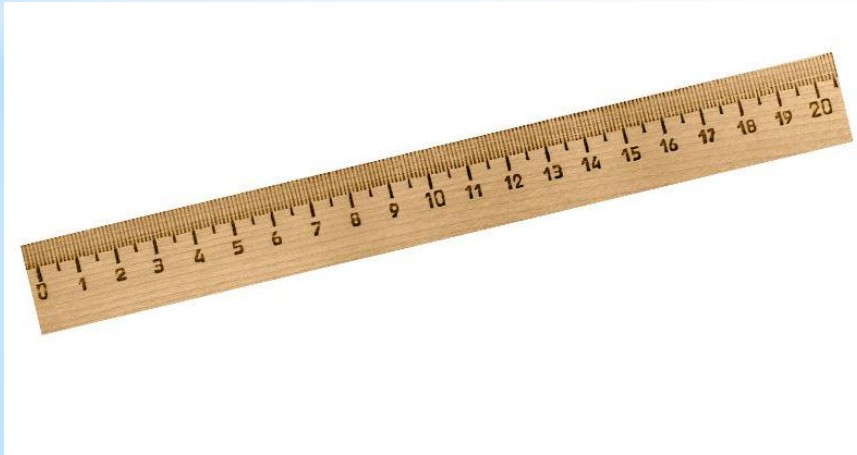
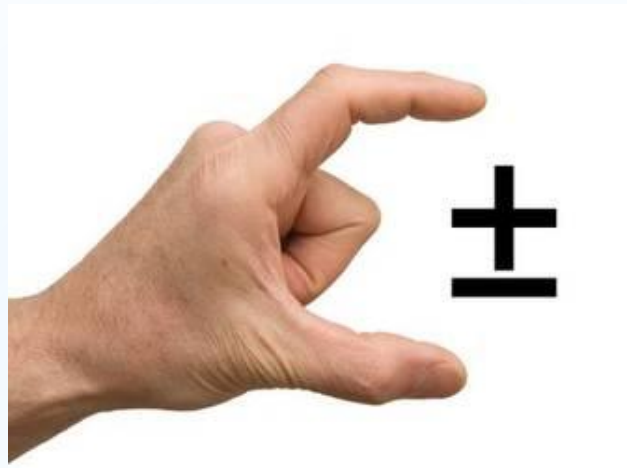
How does it work?



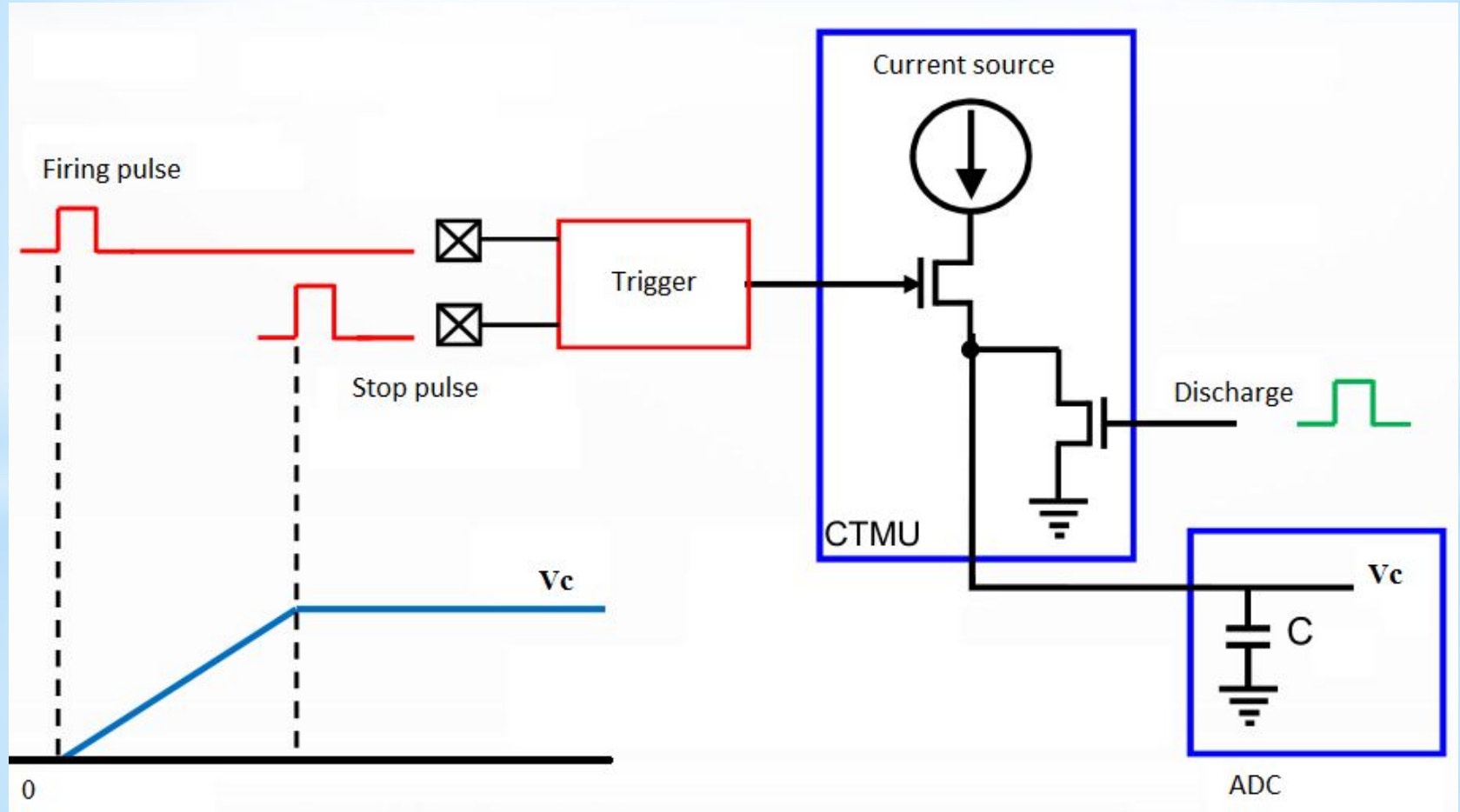
The type of signal



Accuracy of measurement



CTMU



Measuring environment



Advantages

- absence of mobile systems
- high corrosion resistance
- doesn't depend on liquid type
- distinguish liquid type

Sensitive element of the device



Reflex-Radar level meter



Thank you for your attention!