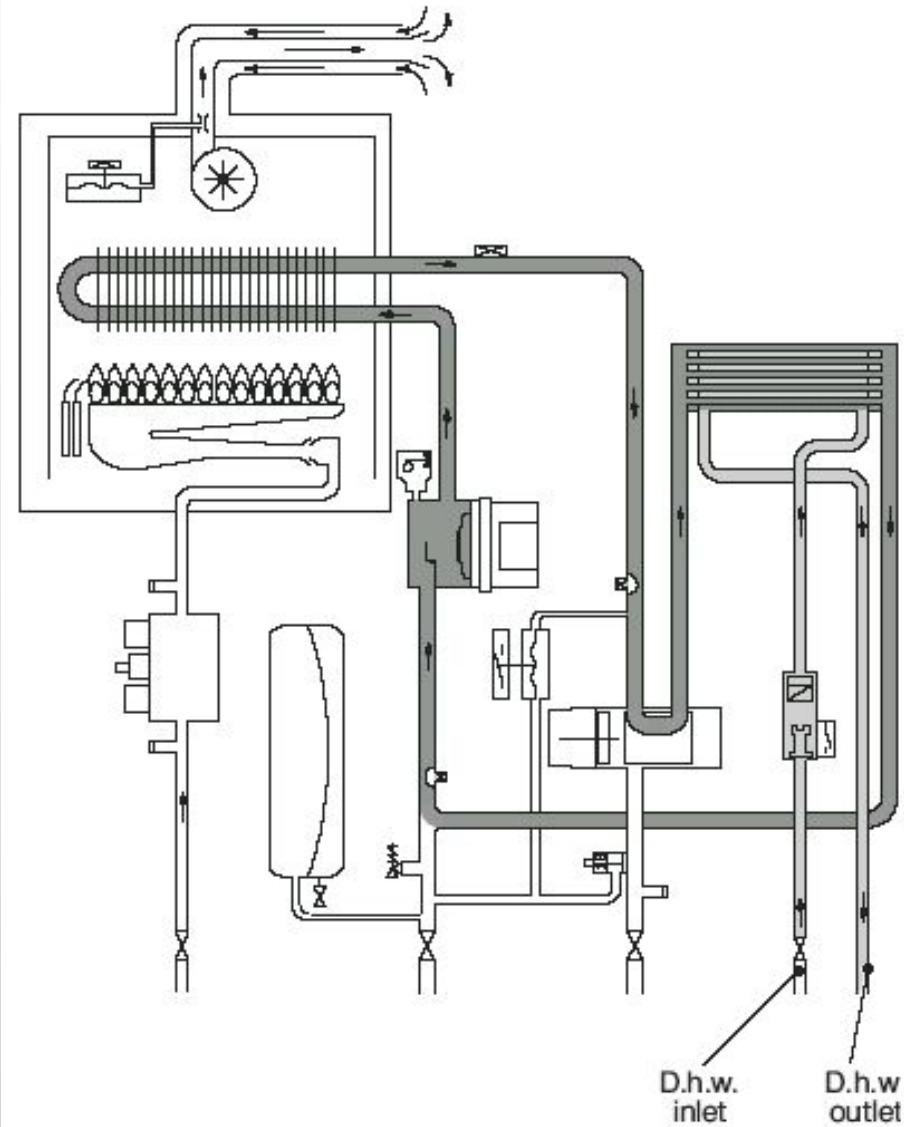




*DOMESTIC HOT WATER
CIRCUIT*

CIRCUIT DIAGRAM

Domestic hot water (d.h.w.) operation



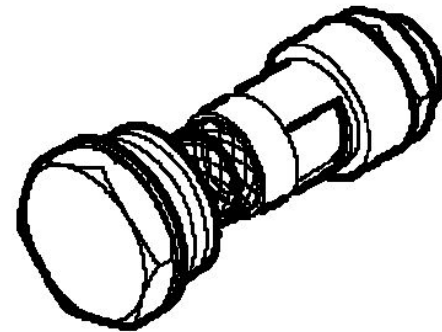
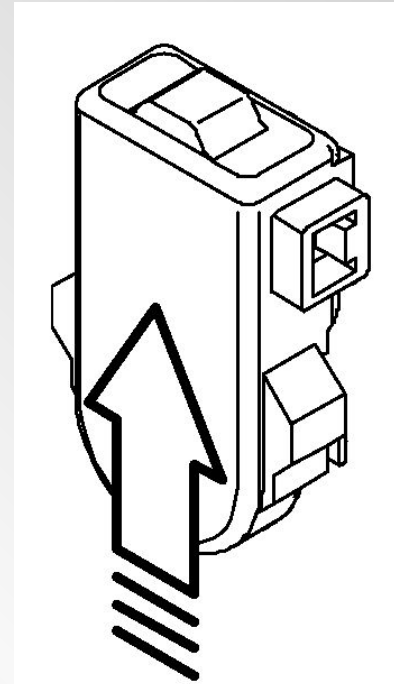
D.H.W. FLOW SWITCH

- **TASK**

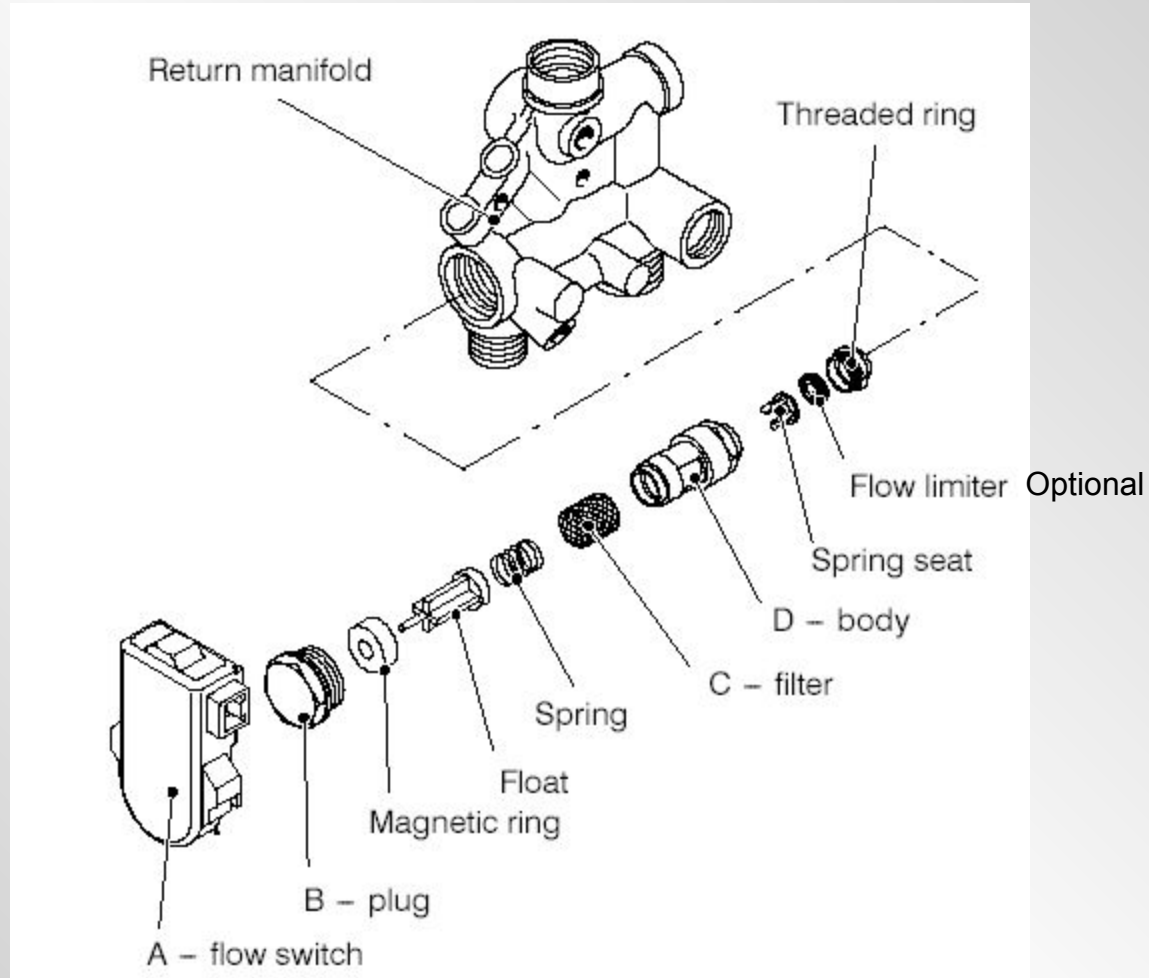
- IT GENERATES AN ELECTRICAL SIGNAL WHEN HOT WATER IS DRAWN

- **DETAILS**

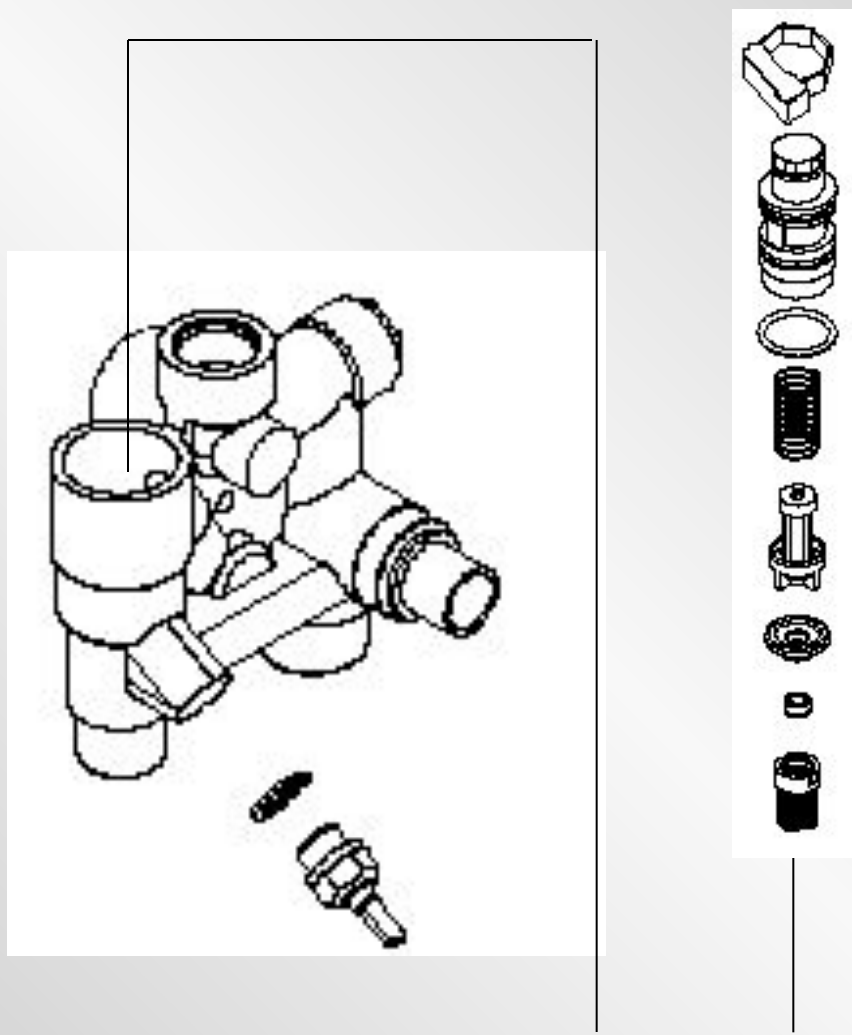
- LOCATED IN THE WATER RETURN GROUP
- BUILT IN NET FILTER
- MINIMUM FLOW RATE 2,5 l/min



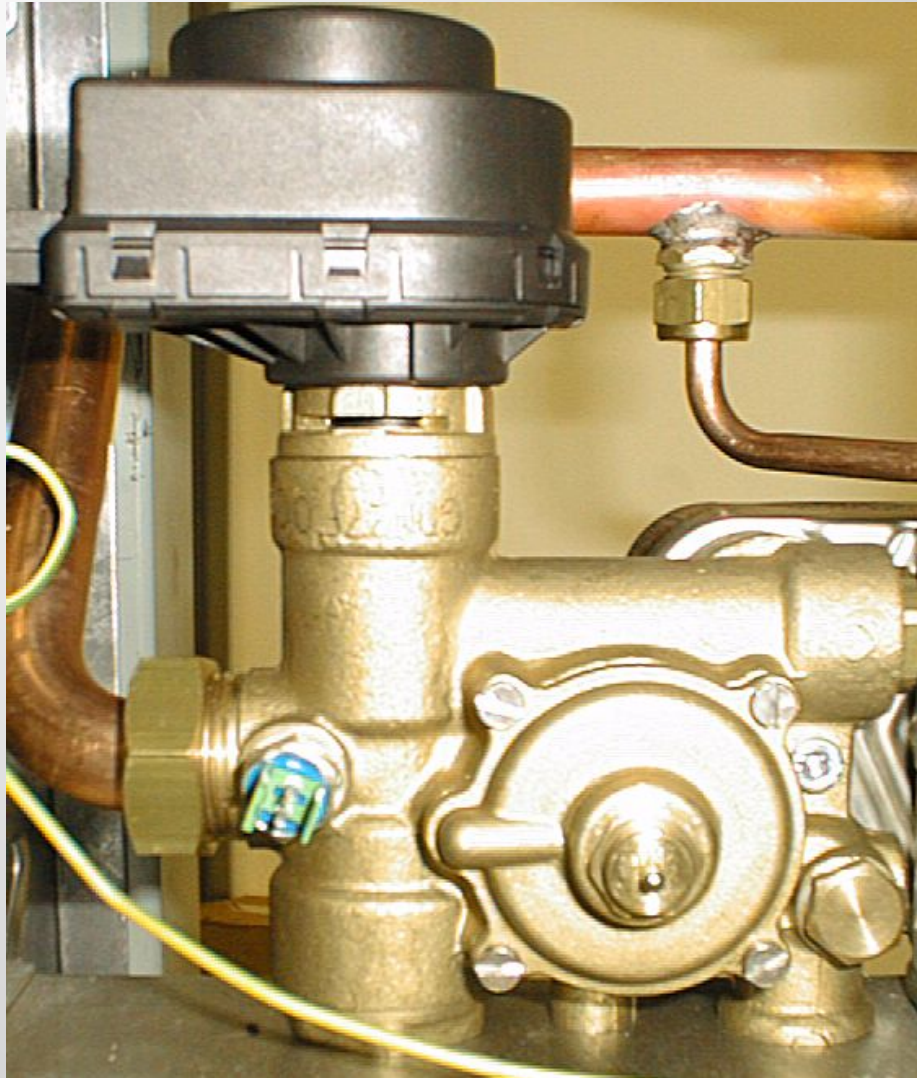
D.H.W. FLOW SWITCH



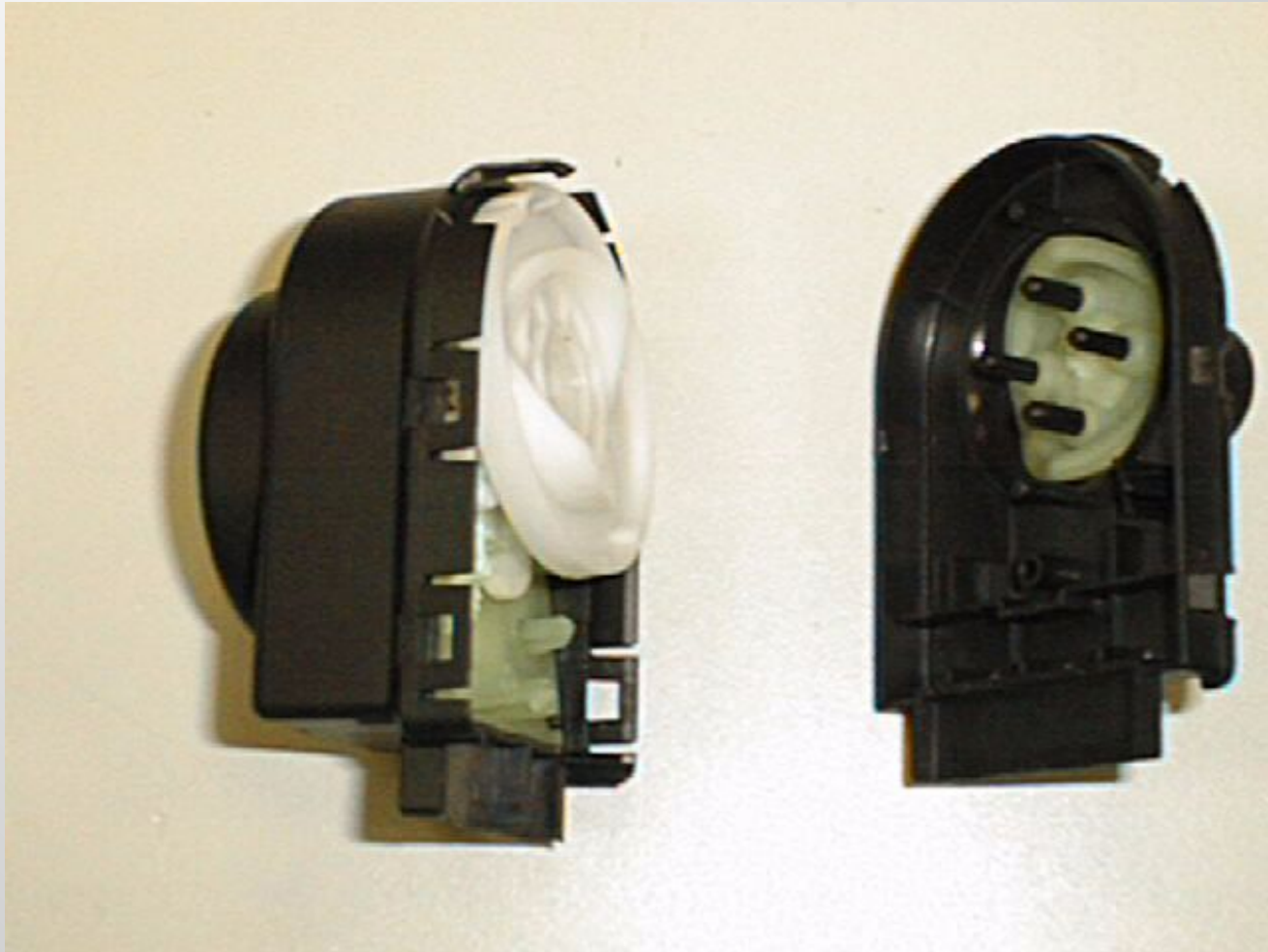
D.H.W. FLOW SWITCH (EVOLUTION)



3 WAY DIVERTER VALVE

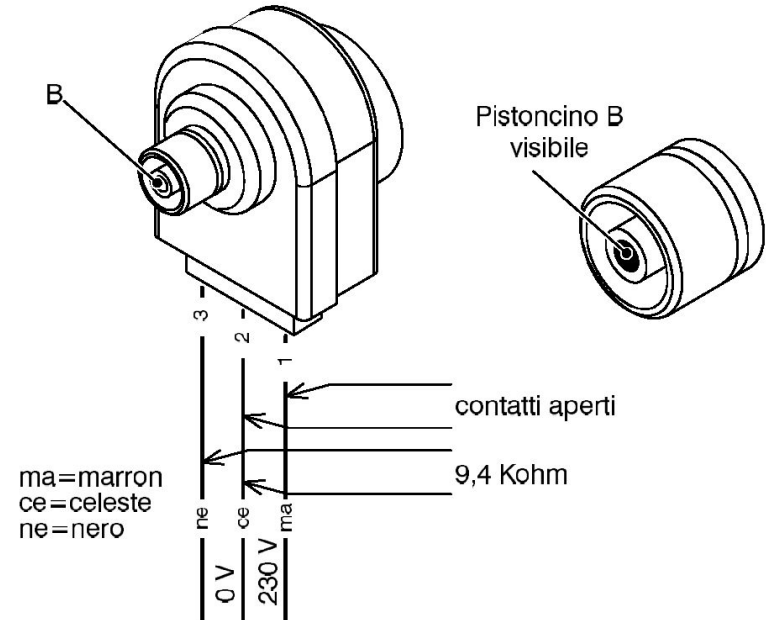
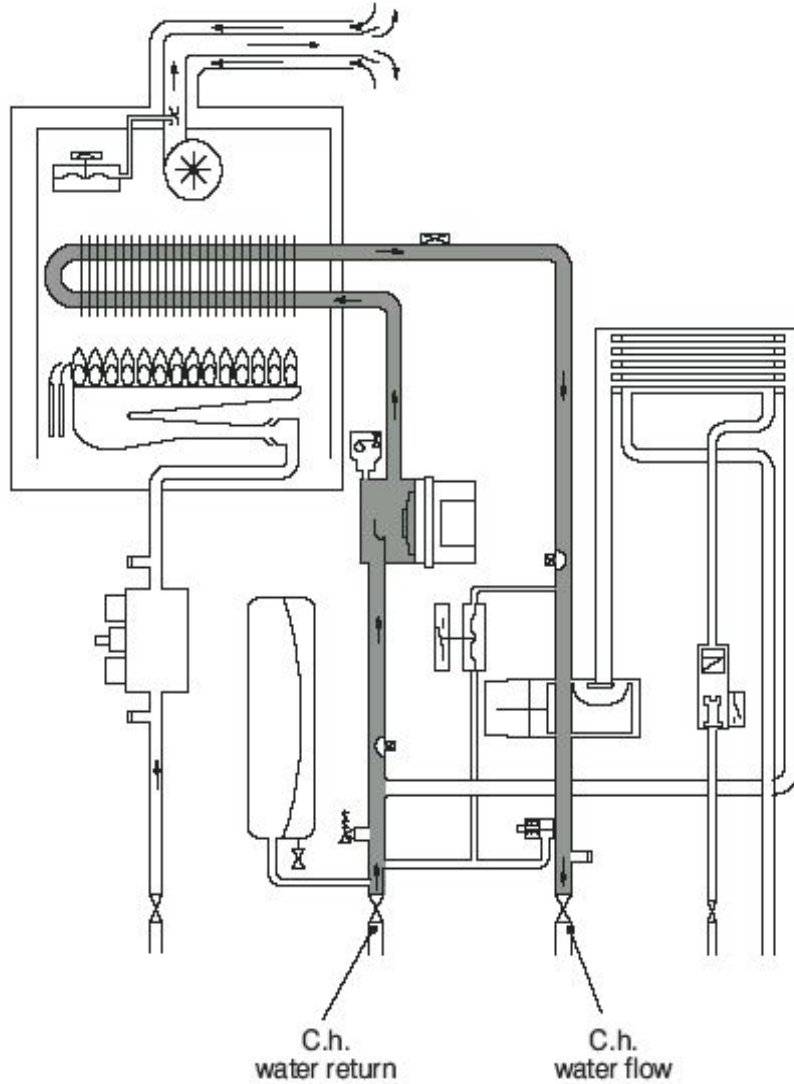


3 WAY DIVERTER VALVE ACTUATOR



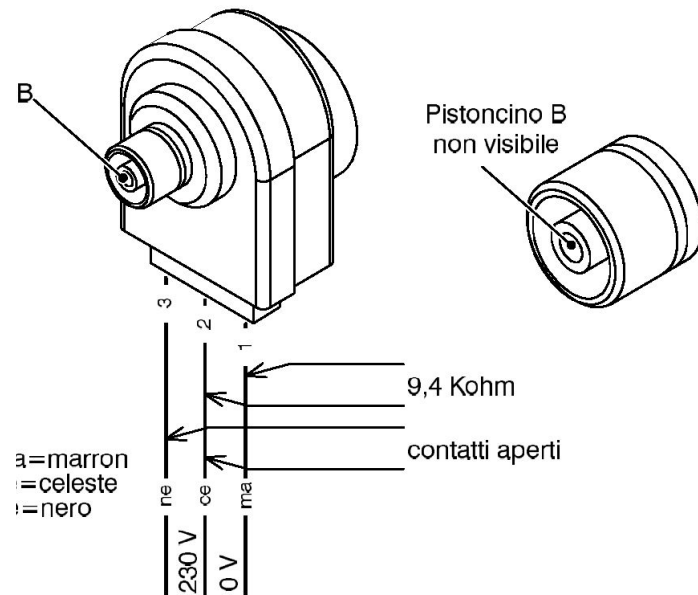
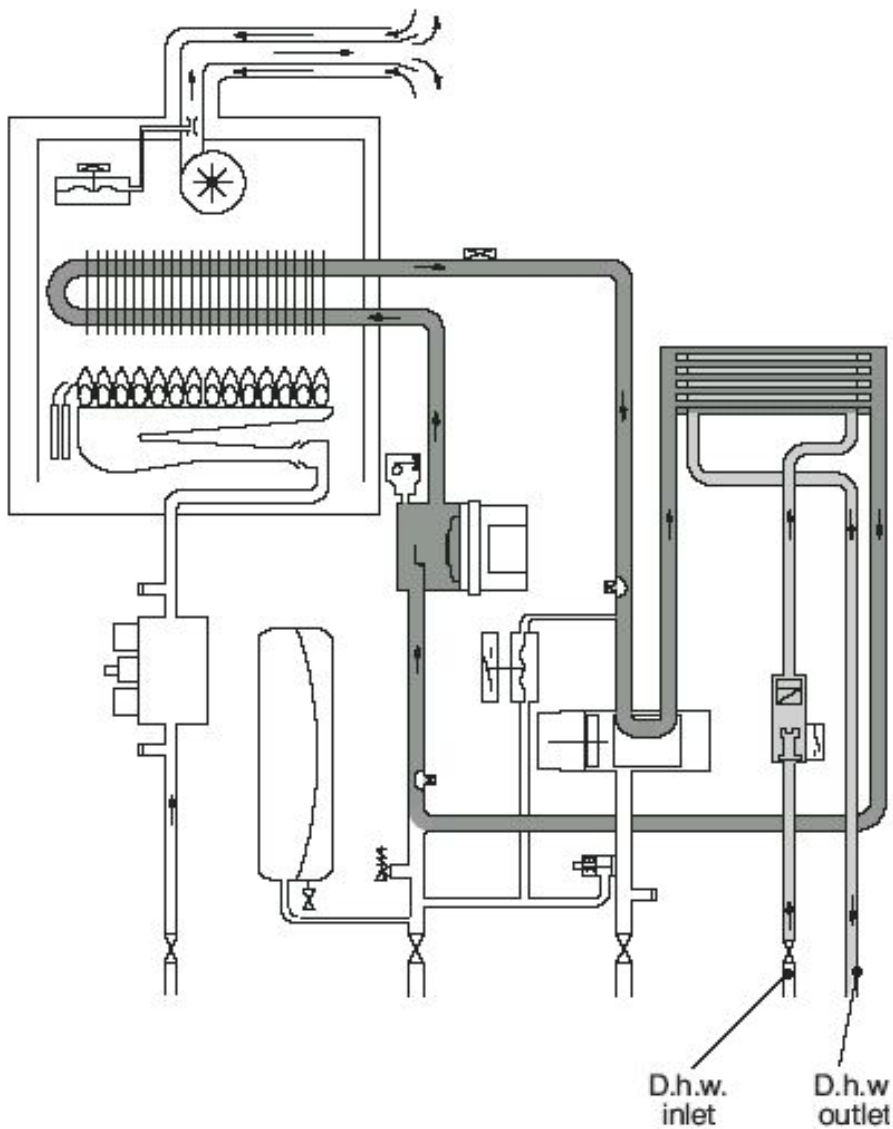
3 WAY DIVERTER VALVE ON C.H.

Central heating (c.h.) operation



3 WAY DIVERTER VALVE ON D.H.W.

Domestic hot water (d.h.w.) operation



D.H.W. HEAT EXCHANGER

- **TASK**
 - IT ALLOWS THE EXCHANGE OF HEAT FROM THE MAIN CIRCUIT TO THE DOMESTIC WATER
- **DETAILS**
 - STAINLESS STEEL
 - HIGH EFFICIENCY THANKS TO THE HONEY-COMB STRUCTURE
 - OPPOSITE DIRECTION OF FLOW
 - N° 14 SHEETS FOR 24 KW
 - N° 16 SHEETS FOR 28 KW
 - N° 18 SHEETS FOR 32 KW

