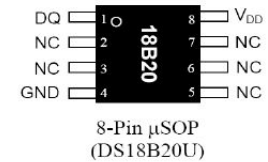
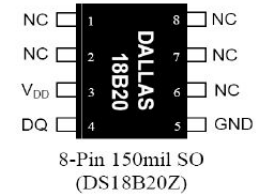


# INTERFACES OF THE MICROCONTROLLERS

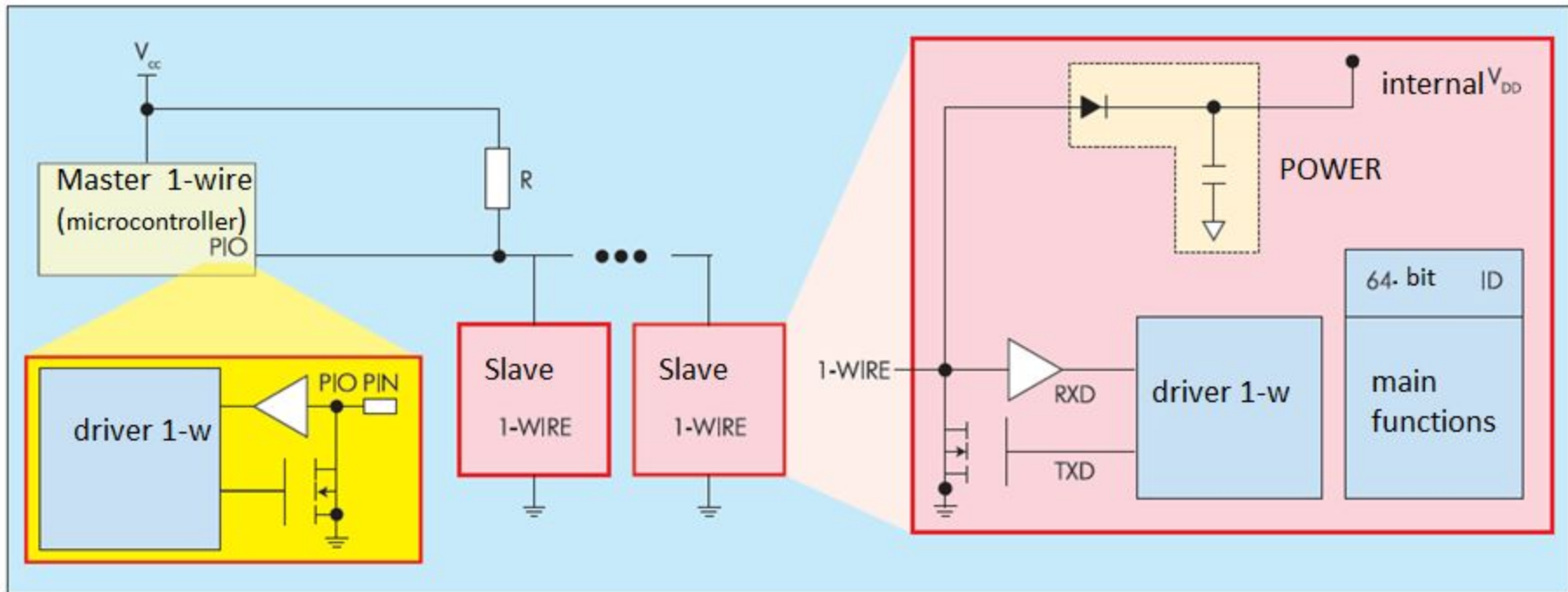
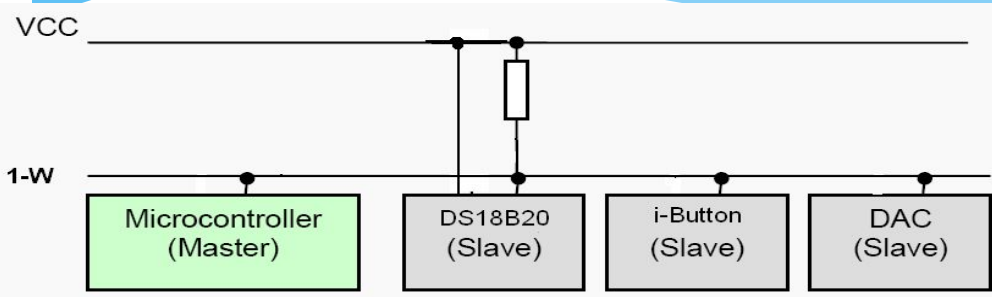
## Lecture 2-2

# 1-Wire interfaces devices



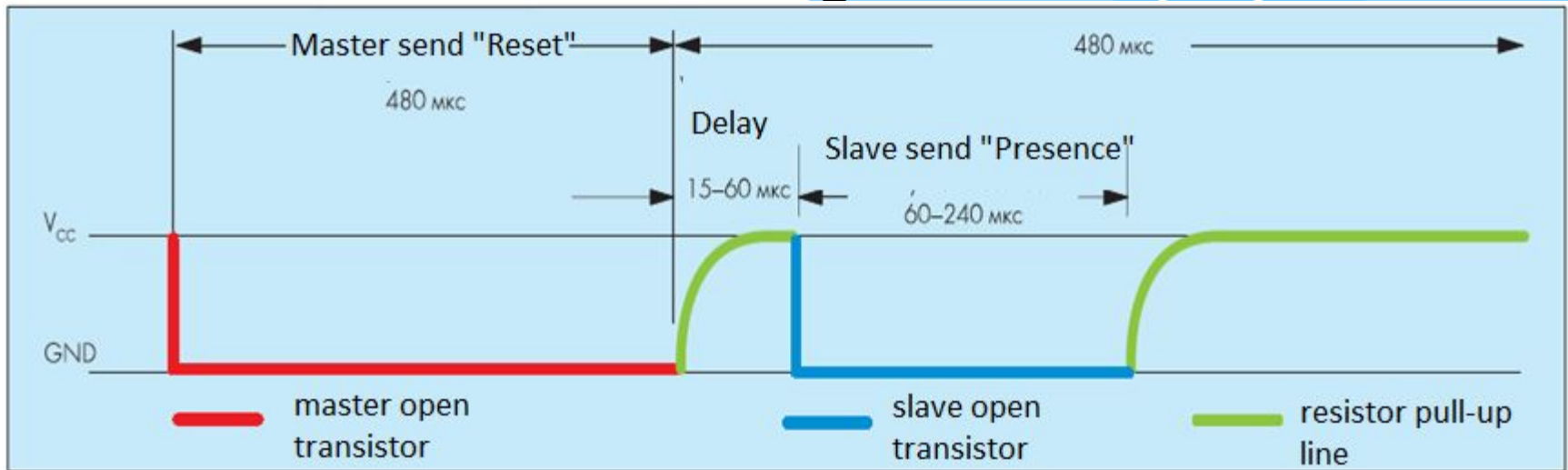
# 1-wire structure

- Only 1 data wire
- Up to 250 devices
- Speed of 15.4 kbps
- Half-duplex mode
- Length up to 125m (300m)



# UART interface

## Start diagram



# 1-wire logic data diagram

