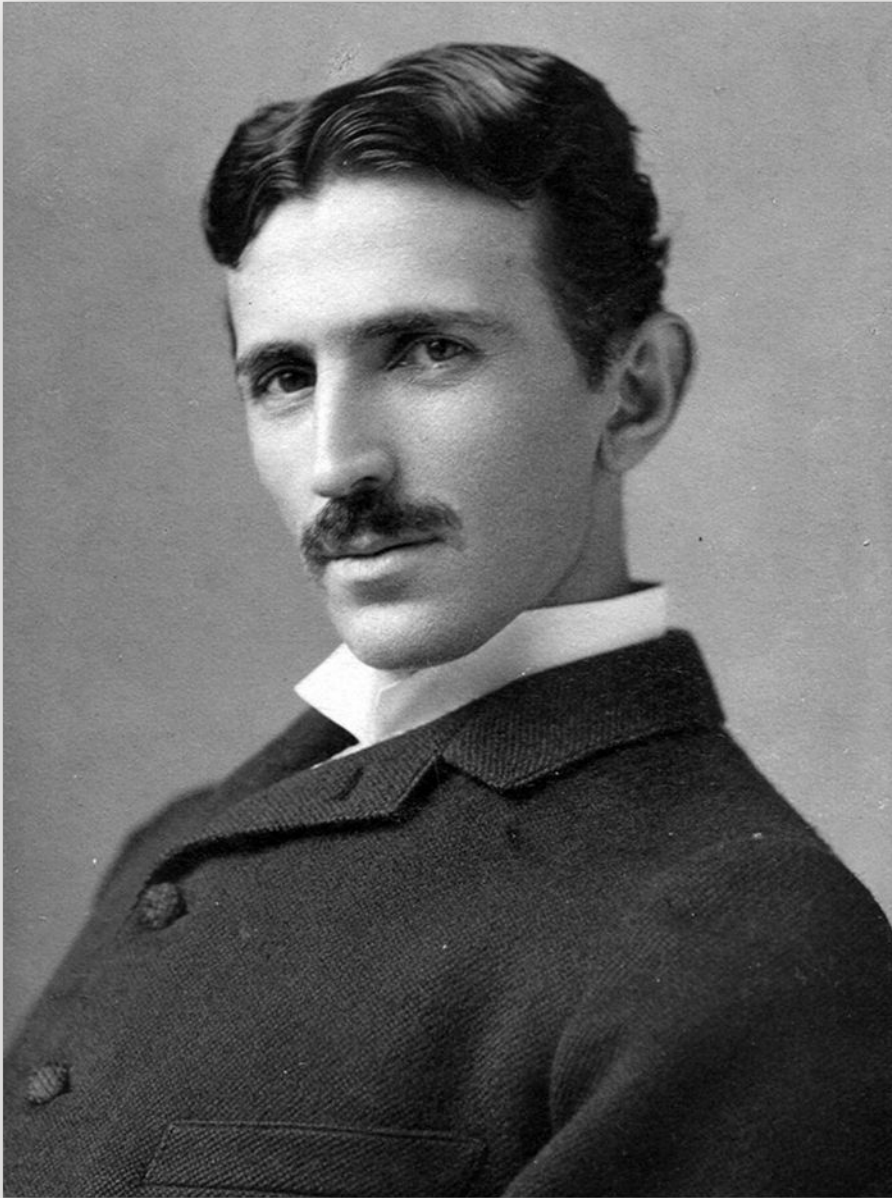


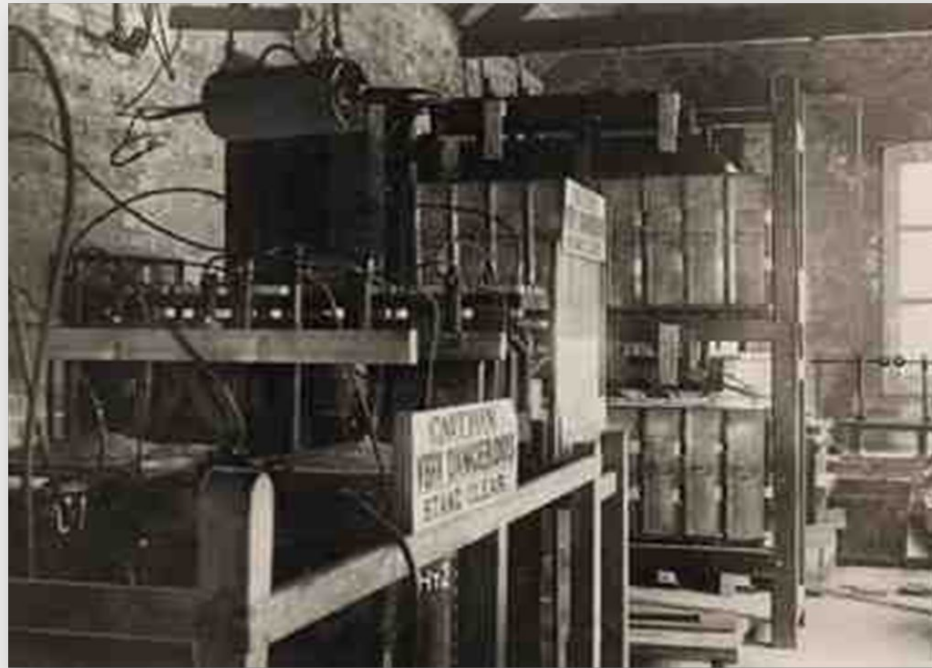
A decorative L-shaped frame made of thick, dark brown lines. The vertical line is on the left side, and the horizontal line is at the top, meeting at a right angle in the top-left corner. The horizontal line extends to the right, and the vertical line extends downwards, forming a large open frame around the text.

WORLD FAMOUS INVENTOR

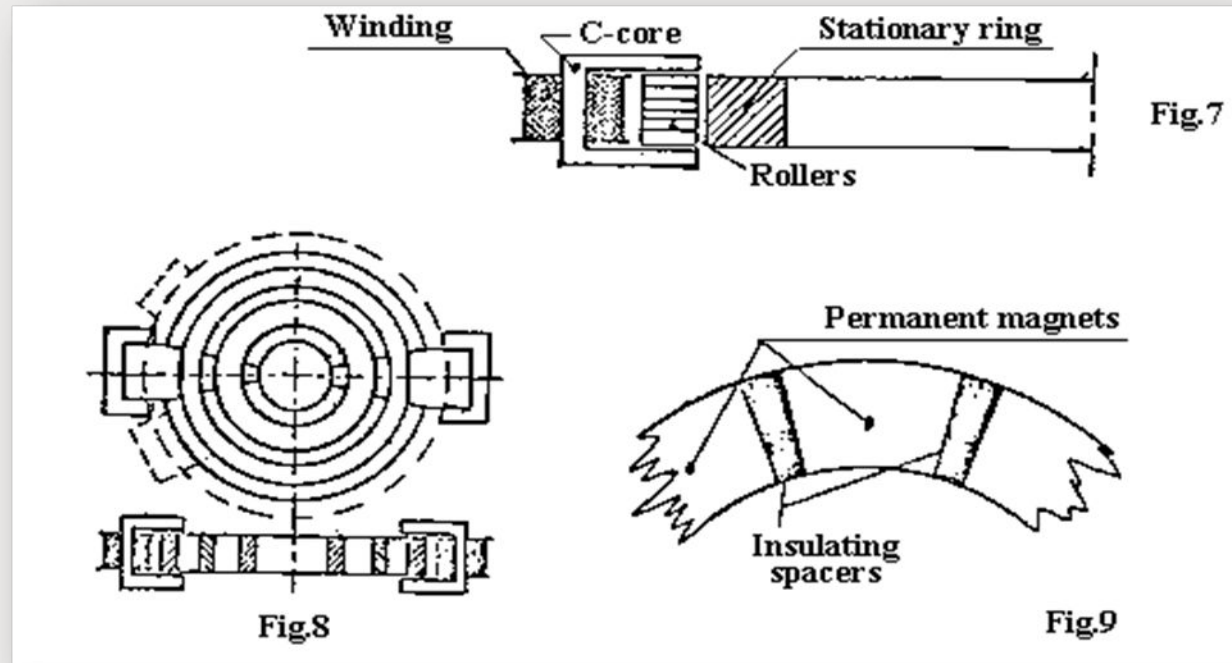
Grade 10 student
Potapenko Elizabeth



- Nicolas Tesla. Born on July 10, 1856, Smiljan, Austrian Empire, now in Croatia - inventor in the field of electrical and radio engineering, engineer, physicist. He grew up in Austria-Hungary, in the following years he mainly worked in France and the USA. In 1891 he received US citizenship.



Working for Edison, Tesla did not stop improving his AC system and in October 1887 received a patent for it.



- Between the two great inventors, the Cold War began. Edison, scolding to himself the "thankless trick", began to publicly and sharply criticize Tesla's generators.
- Nevertheless, Edison agreed to test Tesla's generators and even promised his opponent 50 thousand dollars if he could electrify one of his plants by his own method. He was convinced that this was impossible. Tesla prepared twenty-four types of devices and in a short time carried out his plan. The economic effect exceeded all expectations.



Tesla
demonstrates
electric
lamps burning
with him
in hand

Shocked visitors to the 1893 World's Fair in Chicago looked at an incomprehensible and terrible performance: Tesla connected a voltage of two million volts to himself. At the same time, he, as if nothing had happened, smiled, and in his hands Edison's lamps burned brightly ...

- We now know that it is not the voltage that kills, but the current, and that the high-frequency current passes only along the surface covers. In the infancy of electricity, such a trick seemed like a miracle.



- Tesla has even more tempting projects with which he promised to make people happy by giving him “free” energy and power over nature.
- These Tesla secrets have not been revealed so far.



He discovered alternating current, fluorescent light, wireless power transmission; first developed the principles of remote control, the basics of treatment with high frequency currents; built the first electric clock, a solar-powered engine and much more, having received more than 300 patents in different countries for his inventions.

He invented the radio before Marconi and Popov, received a three-phase current before Dolivo-Dobrovolsky. All modern electric power industry

Thanks for
attention